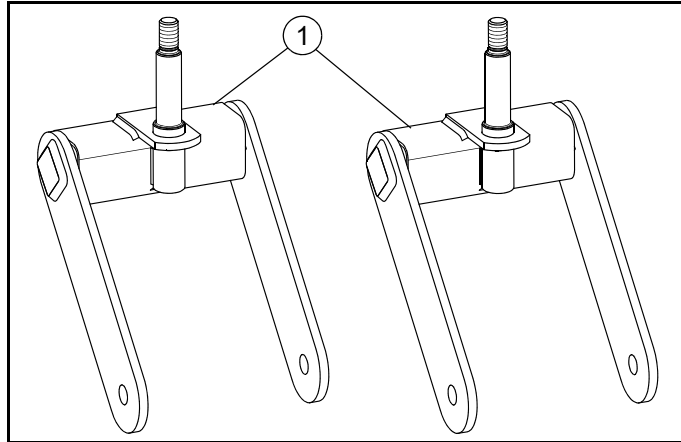


Packing List

Listed below are parts included in this kit. If any parts are missing or damaged, please contact Excel Parts Department. Retain these instructions for replacement parts.

IMPORTANT: Do not use Flex Forks[®] when a catcher unit is installed, as Flex Forks[®] will not operate properly with the added weight.



INDEX NO.	DESCRIPTION	QTY
1	FLEX FORK	2



WARNING



Use only appropriate vehicle stands, with a minimum weight rating of 2000 pounds to block the unit up. Use in pairs only. Follow the instructions supplied with the vehicle stands.

Assembly

1. Park the mower on a solid, level surface; set the park brakes; shut-off the engine; and remove the ignition key. Disconnect the negative battery cable.
2. Raise the front of the mower high enough to allow the front forks to be removed. Place mower securely on jack stands and do not allow the machine to move. Chock the drive wheels.
3. Remove the front wheel and tire from the existing fork. Retain the hardware.
4. Remove the existing fork from the mower frame. Be careful not to dislodge the bottom bearing seal. Retain the hardware.
5. Attach the flex fork to the mower frame using the existing hardware. Make sure that all hardware is replaced exactly as it was removed. Be careful not to dislodge the bottom bearing seal. Fig. 1
6. Torque the nut to 40 ft-lbs (54.2 N•m), then back off a quarter of a turn.
7. Make sure the caster fork is free to rotate by spinning the fork one full revolution.
8. Replace grease that was lost during installation of the flex forks. Fill the top cavity with grease.
NOTE: Note that it may be required to install a 1/4-28 zerk in the side of the bearing housing to replace the lost grease.
9. Install the top cap.

10. Attach the wheel and tire to the new flex fork using the existing hardware. Tighten the nut, then back it off so the wheel spins freely. Fig. 1
11. Repeat steps 3 through 10 for the other side.
12. Apply grease to zerks where applicable.
13. Raise the front of the mower and remove the jack stands. Lower the mower and remove the wheel chocks.
14. Reconnect the negative battery cable. The machine is now ready to operate.

NOTE: Flex Forks[®] when first installed will raise the front of the mower about 1" depending upon the mower model. It is not necessary to re-level the deck at this point as the flex forks will settle after about 20 minutes of driving time. After operating for 20 minutes, if the Flex Forks[®] are still higher than the original forks were, the deck can be re-leveled. Refer to your mower's general service manual for deck leveling procedures.

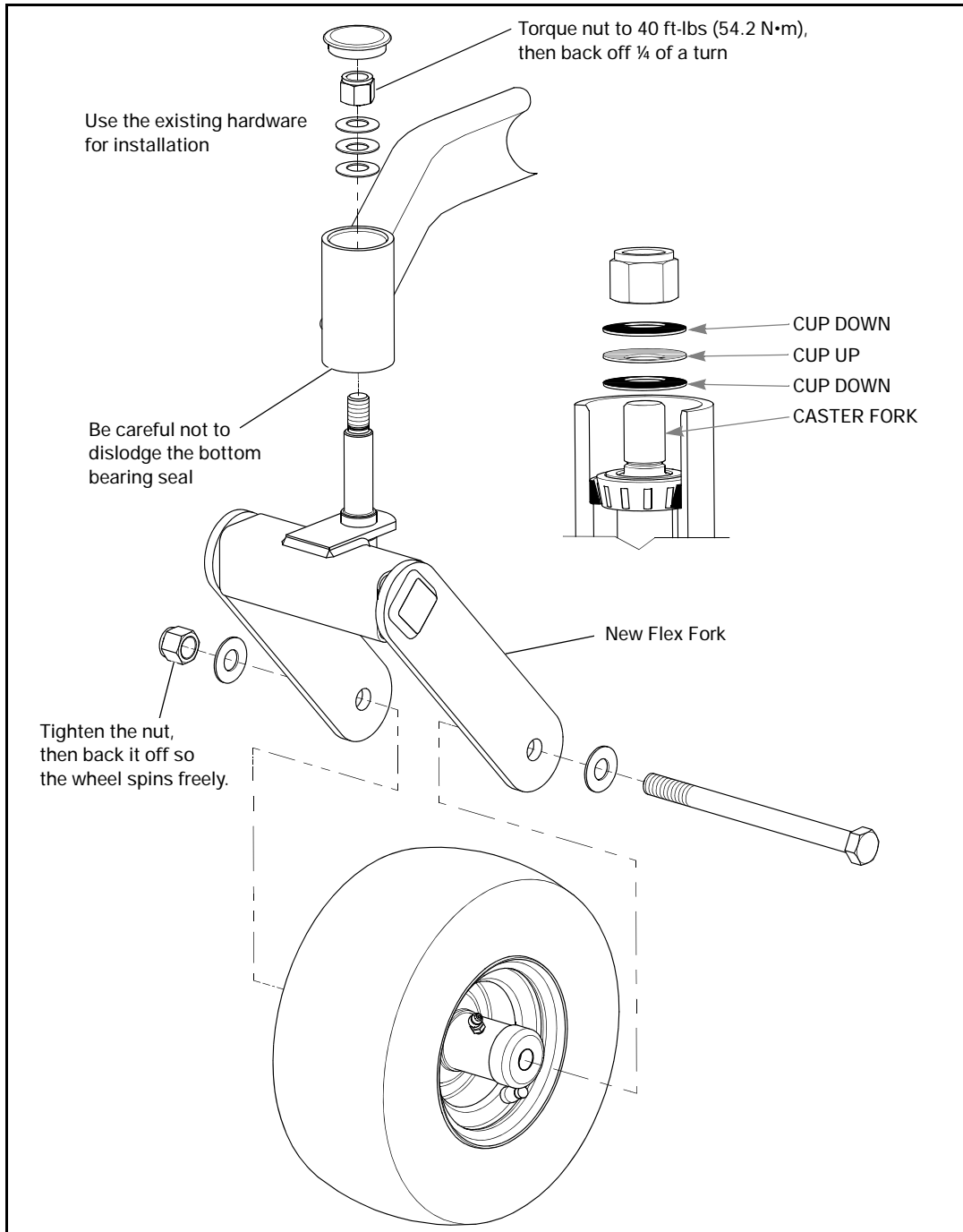


FIG. 1