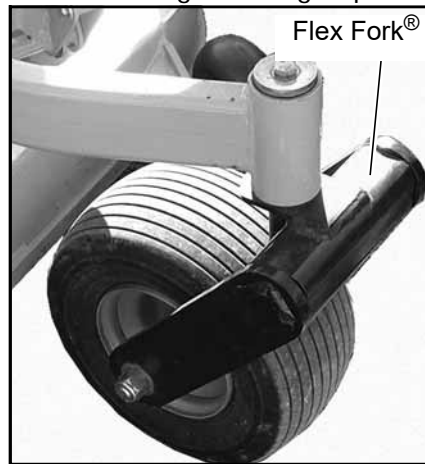


KIT NUMBER	PAGE #
112419	page 3
112425	page 4
116281	page 5
118029	page 5
600213	page 3

KIT NUMBER	PAGE #
603167	page 5
603717	page 2
604401	page 5
799270	page 4
799288	page 2

Packing List

This kit includes two Flex Forks®. If any parts are missing or damaged, please contact Excel Parts Department.



1. Park the mower on a solid, level surface, set park brakes, shut-off engine and remove ignition key. (Disconnect negative battery cable.)
2. Raise and block the front of the deck up so that the front wheels are off the ground. Place mower securely on jack stands and do not allow machine to move.



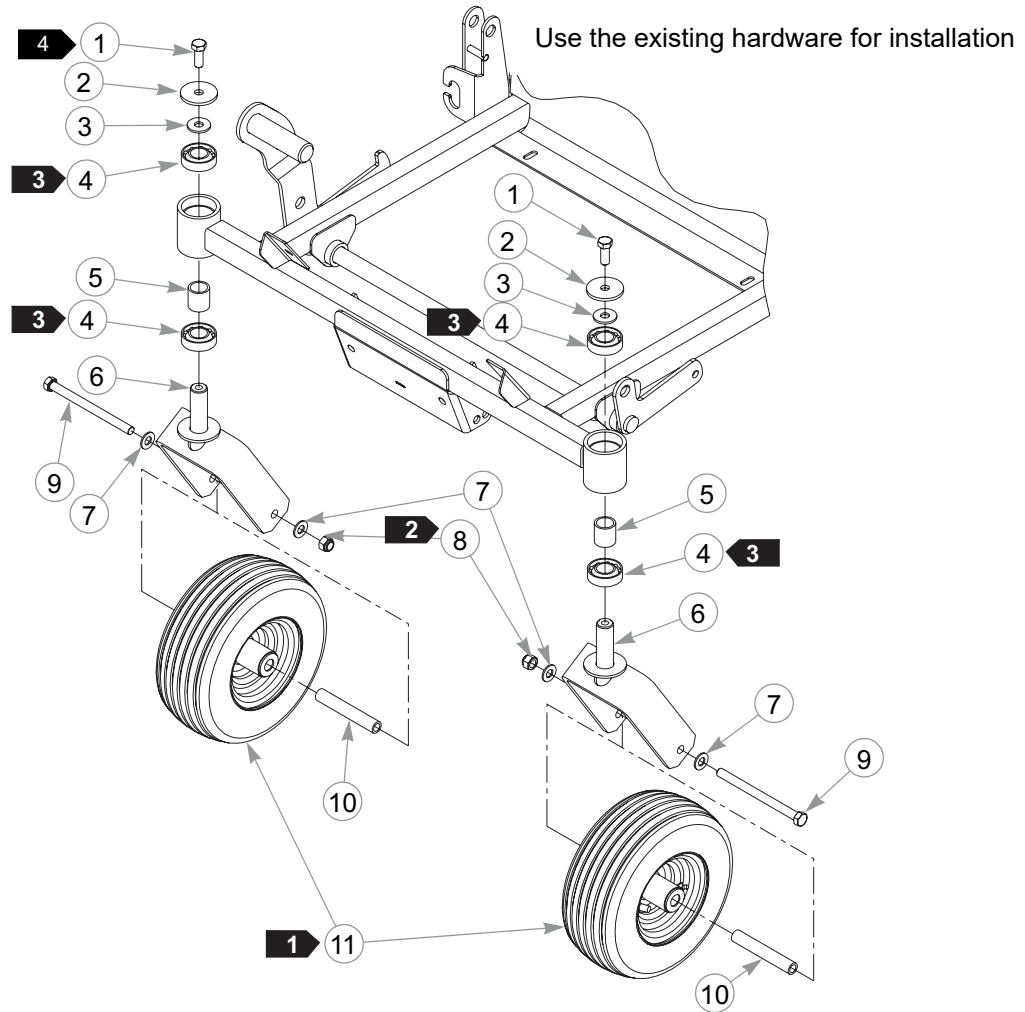
WARNING



Use only appropriate vehicle stands, with a minimum weight rating of 2000 pounds to block the unit up. Use in pairs only. Follow the instructions supplied with the vehicle stands.

3. Remove the front wheel and tire from the fork.
4. Remove the existing fork from the mower frame.
5. Attach the Flex Fork® to the mower frame using the existing hardware. Make sure that all hardware is replaced exactly as it was removed. Reference the illustrations for accurate part placement. Apply one drop of Loctite® 242 to the bolt threads. Torque per the correct illustration.
6. Attach the wheel and tire to the new Flex Fork® using the existing hardware. Torque per the correct illustration.
7. Lower the mower
8. Reconnect the negative battery cable.
9. Flex Forks® when first installed will raise the front of the mower about 1" depending upon which model they are on. It is not necessary to re-level the deck at this point. The Flex Forks® will settle after about 20 minutes of driving time. After operating for 20 minutes, if the Flex Forks® are still higher than the original forks were, the deck can be re-leveled. Refer to the unit's general service manual for deck leveling procedures.

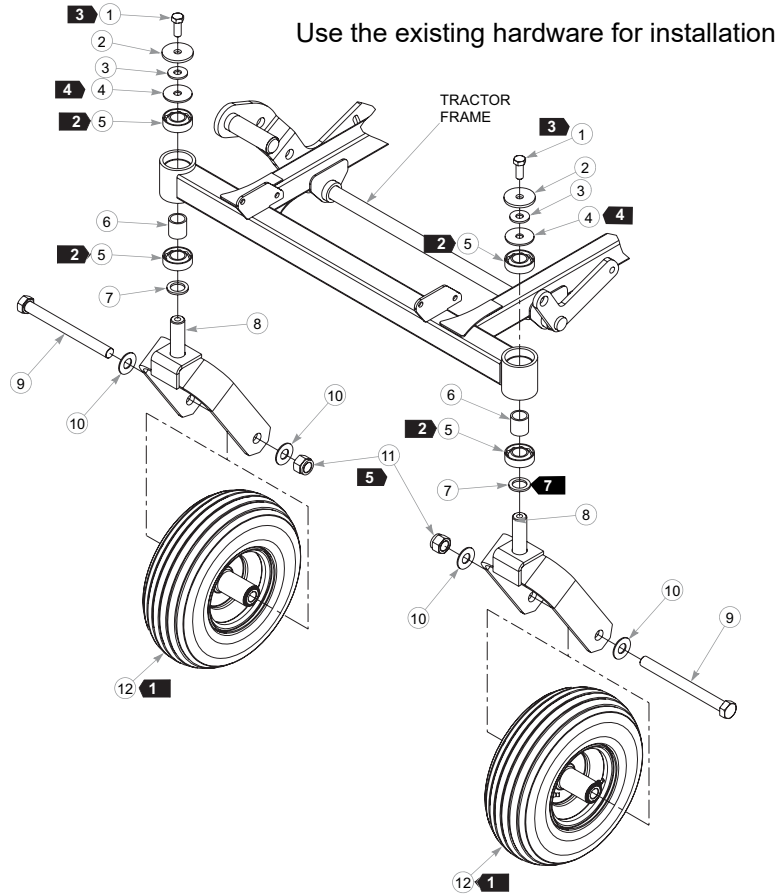
Flex Fork® Kit
603717
799288



NOTE:

1. Apply grease to zerks where applicable (see owner's manual).
2. Torque to 75 ft. lbs.
3. Assemble with extended inner race down.
4. Torque to 75 ft. lbs. Apply one drop of Loctite® 242 to threads.
5. Standard forks shown to show parts disassembly. Flex Fork® assembly requires that all parts be re-assembled as shown using the Flex Forks® in place of the standard forks.

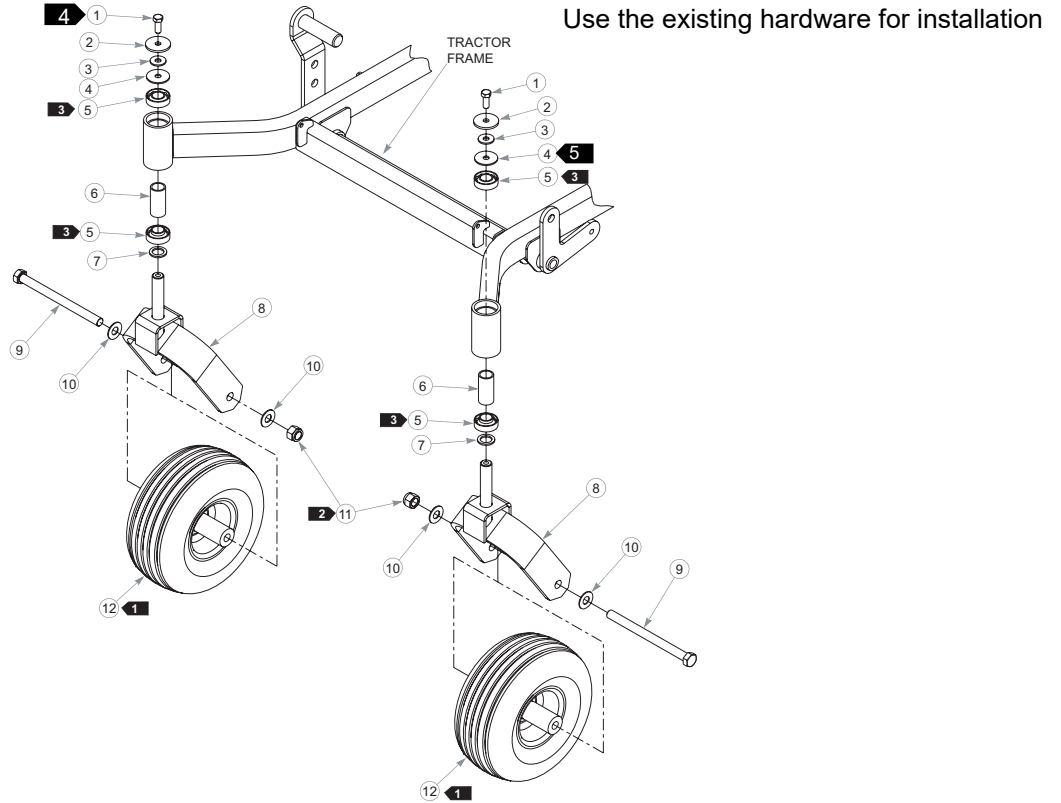
Flex Fork® Kit
600213
112419



NOTE:

1. Apply grease to zerks (see owner's manual).
2. Assemble with extended inner race down. Apply a thin continuous bead of Loctite® 609 to O.D. of outer races of bearings prior to assembling bearing into frame.
3. Torque to 75 ft. lbs. Apply one drop of Loctite® 242 to threads.
4. Not used on all installations.
5. Tighten the nuts, then back them off until the wheel spins freely.
6. Standard forks shown to show parts disassembly. Flex Fork® assembly requires that all parts be re-assembled as shown using the Flex Forks® in place of the standard forks.
7. The washer is included with the kit. If the mower does not have this washer, use the washer from the kit.

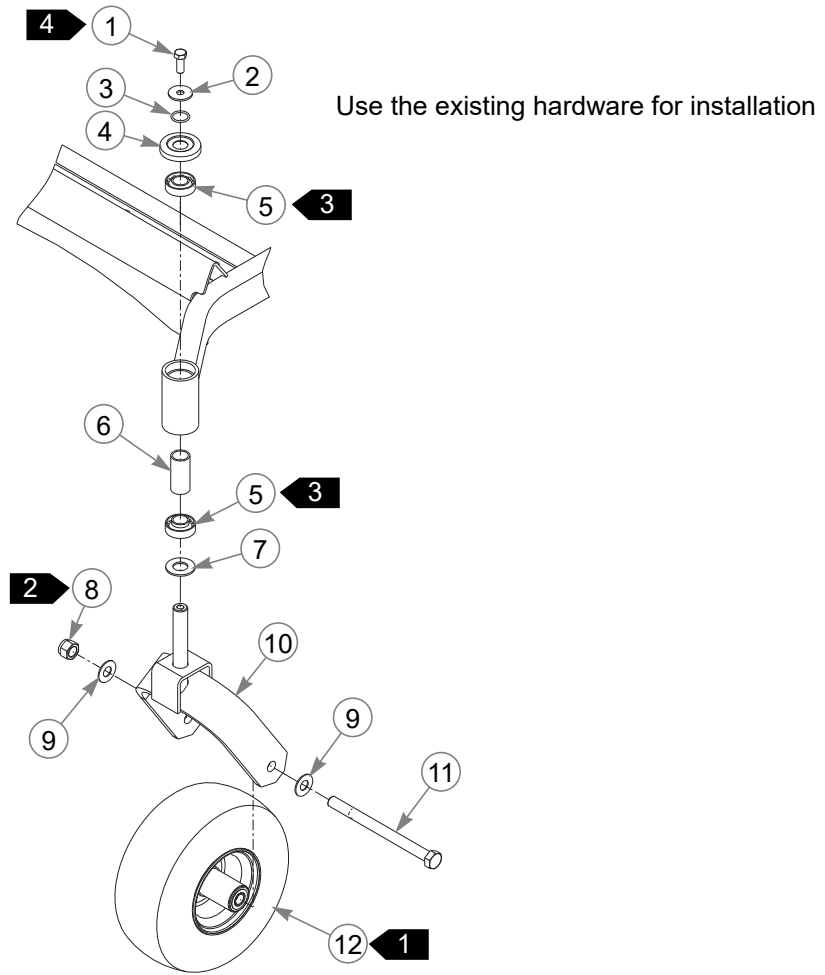
Flex Fork® Kit
112425
799270



NOTE:

1. Apply grease to zerks (see owner's manual).
2. Tighten nuts, then back off until wheel spins freely.
3. Assemble with extended inner race facing toward item 6.
4. Torque to 75 ft. lbs. Apply one drop of Loctite® 242 to threads.
5. Not used on all installations.
6. Standard forks shown to show parts disassembly. Flex Fork® assembly requires that all parts be re-assembled as shown using the Flex Forks® in place of the standard forks.

Flex Fork® Kit
116281
118029
603167
604401



1. Apply grease to zerks (see owner's manual).
2. Tighten nuts, then back off until wheel spins freely.
3. Assemble with extended inner race facing toward item 6.
4. Torque to 75 ft. lbs. Apply one drop of Loctite® 242 to threads.
5. Standard forks shown to show parts disassembly. Flex Fork® assembly requires that all parts be re-assembled as shown using the Flex Forks® in place of the standard forks.