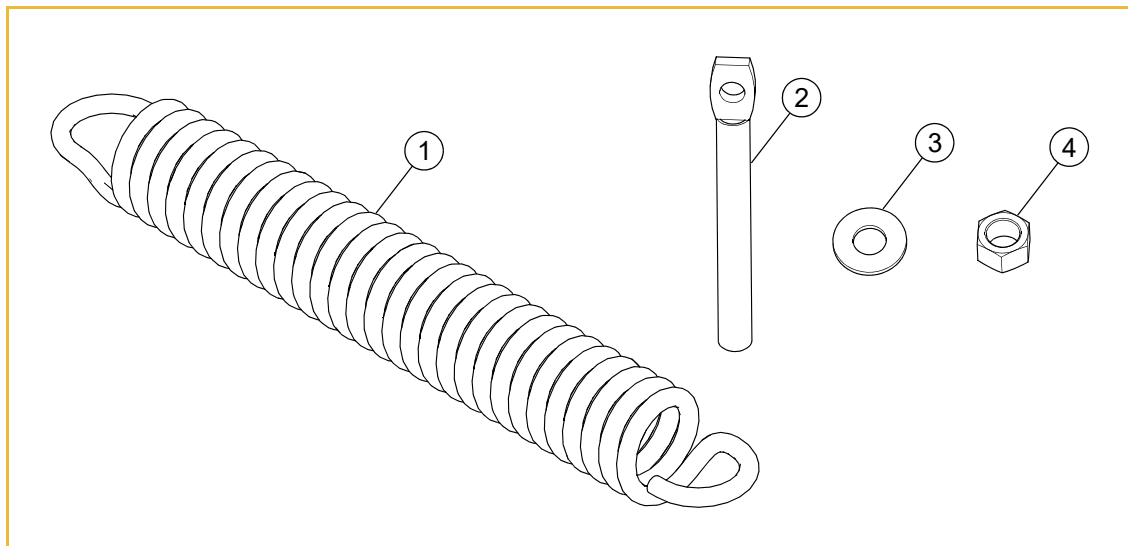


## DECK LIFT ASSIST KIT

**PART NUMBER:** 127403

### PACKING LIST:

Listed below are parts included in this kit. If any parts are missing or damaged, please contact the Hustler® Parts Department. Retain these instructions for replacement parts.



INDEX NO.	PART NO.	DESCRIPTION	QTY
1	008938	TENSION SPRING	1
2	601486	EYE BOLT, 3.75-16 X 3.00 FULTHD	1
3	767954	FW 0.379 X .82 X .06 HD ZN	2
4	054502	NT .375-16H X G5	2

### ASSEMBLY:

1. Park the mower on a solid, level surface; set the park brakes; shut off the engine; and remove the ignition key. Disconnect the negative battery cable.
2. Place the deck in the highest setting.
3. Attach the tension spring to the spring assist plate. FIG. 1
4. Attach the eyebolt to the tension spring and thread the first set of hardware on the eyebolt. FIG. 1

5. Place the eyebolt through the front spring assist bracket and install the hardware as shown. FIG. 1 & FIG. 2
6. The eyebolt should extend past the spring assist bracket 1.5".
7. Attach the negative battery cable.
8. The mower is ready to operate.

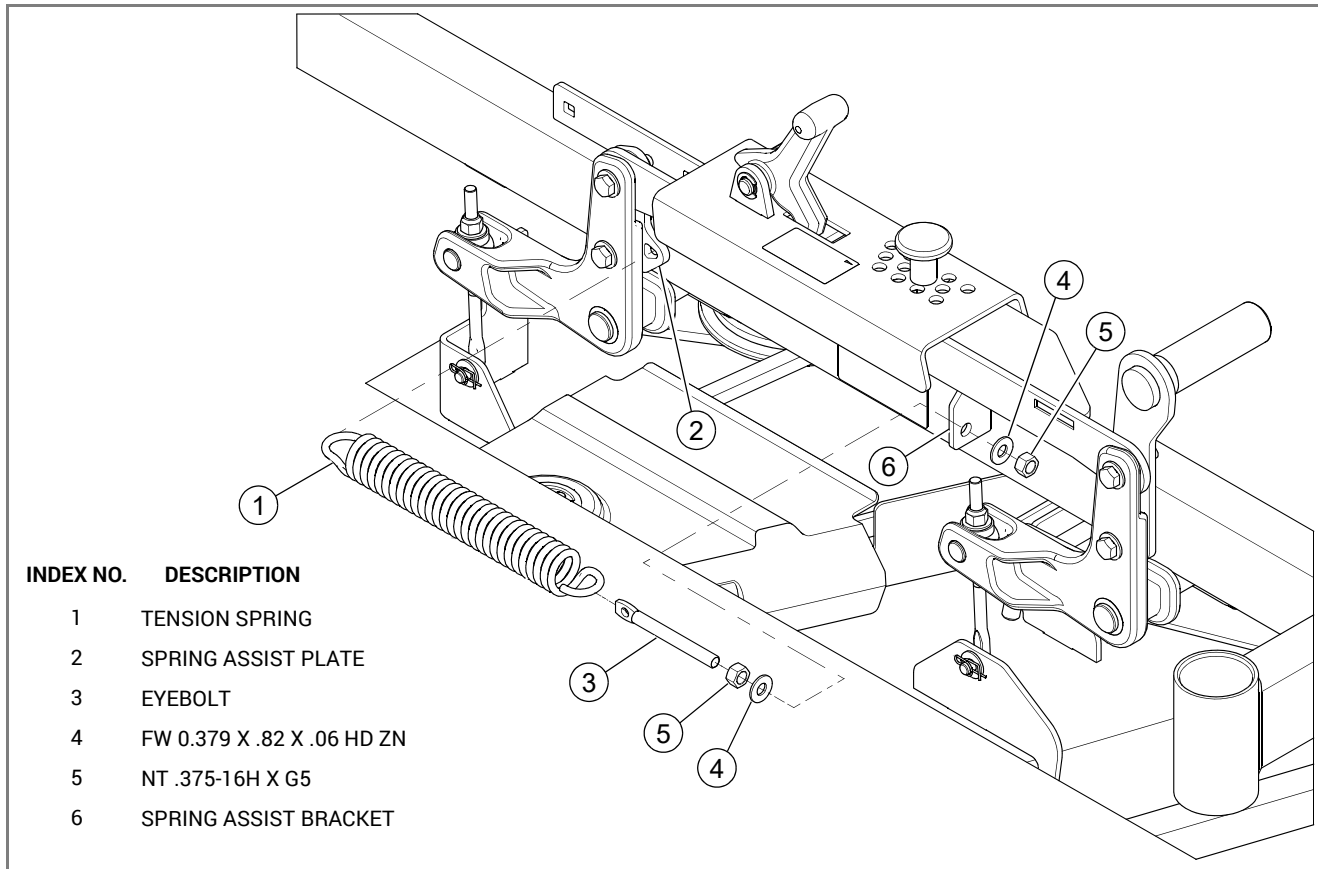


FIG. 1

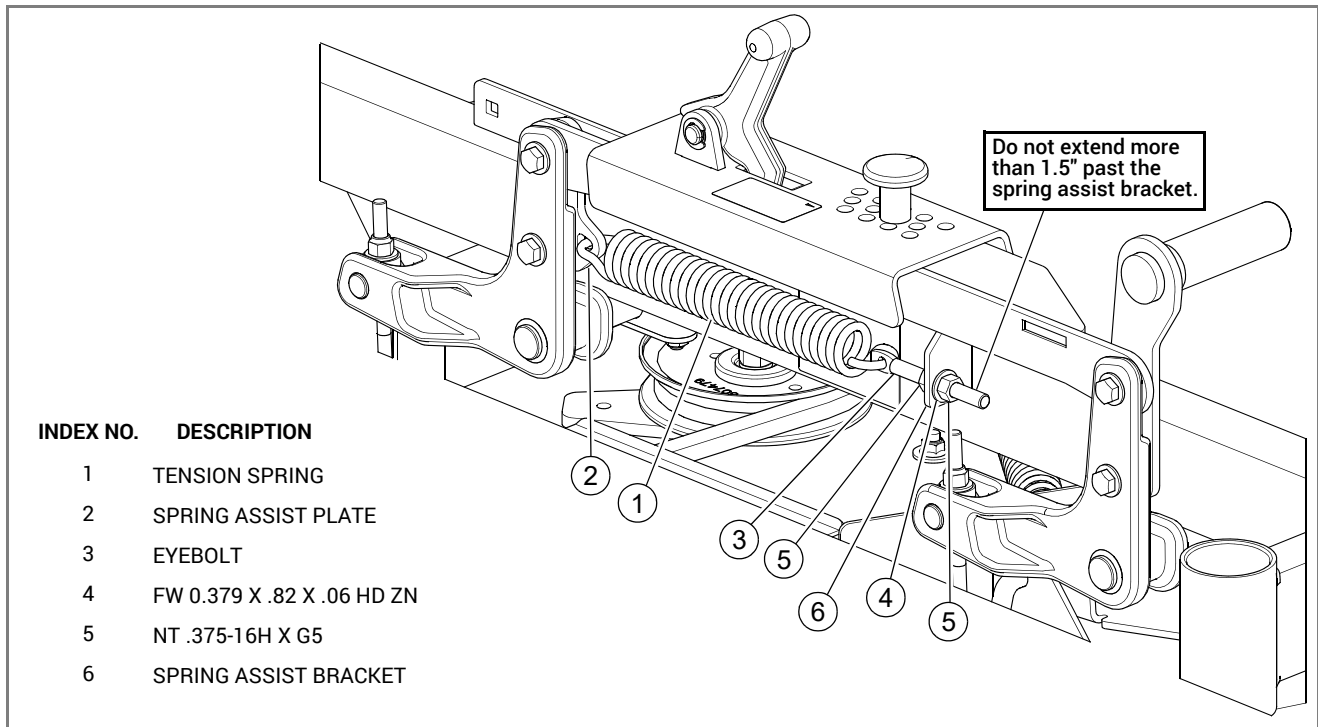


FIG. 2