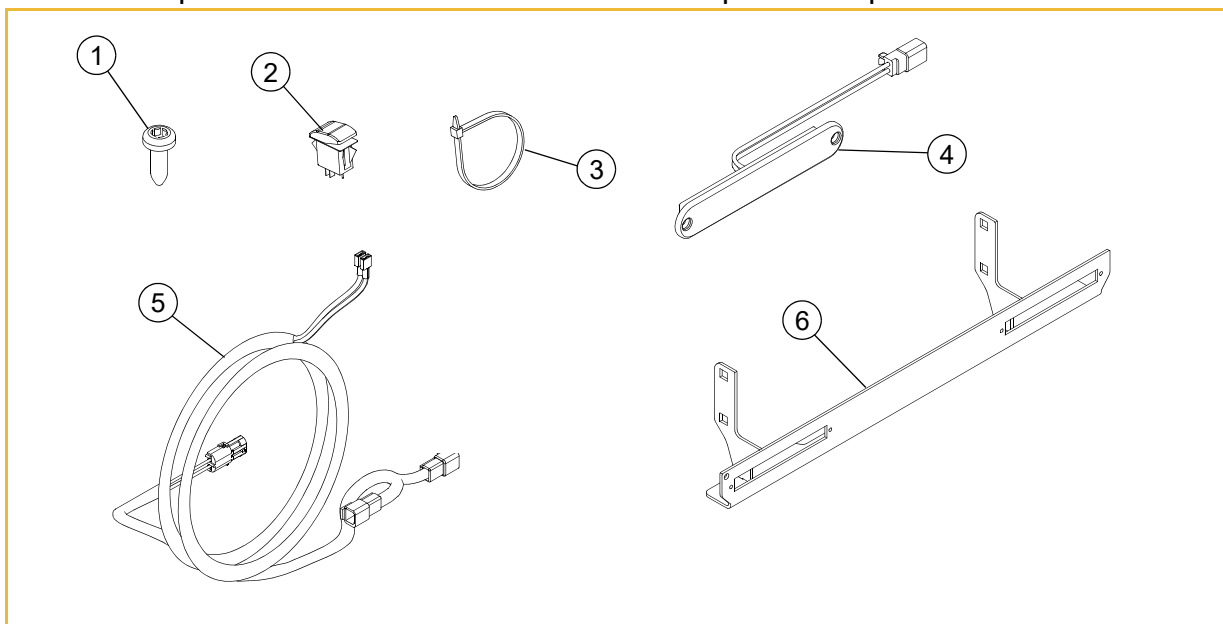


LIGHT KIT

PART NUMBER: 127365

PACKING LIST:

Listed below are parts included in this kit. If any parts are missing or damaged, please contact the Hustler® Parts Department. Retain these instructions for replacement parts.



INDEX NO.	PART NO.	DESCRIPTION	QTY
1	122583	CS #8-32 PH TRX	4
2	601116	SWITCH	1
3	000331	WIRE TIE	6
4	605003	LIGHT	2
5	606387	WIRE HARNESS	1
6	127356-6	LIGHT SUPPORT	1



WARNING



Use extreme caution if it becomes necessary to operate the unit, transporting or mowing, after dark or in low light situations. Only operate in open areas where there are no overhead obstructions; i.e. guide wires, tree branches, low overhangs, etc. Operate only in areas where the operator is thoroughly familiar with the terrain and any potential hazards. The lights are designed to illuminate forward and down and will not illuminate to the side or upward.

ASSEMBLY:

NOTE: Installing this light kit will require access to the mower's electrical system beneath the instrument panel. The following tools are needed:

- 7/16" and 9/16" wrenches
- Utility knife or other sharp knife (for cutting the instrument panel decal)
- Side cut pliers or equivalent (for trimming wire ties)



WARNING



Shorts caused by battery terminals or metal tools touching metal mower components can cause sparks. Sparks can cause a battery gas explosion which will result in personal injury.

1. Park the mower on a solid, level surface; set the park brakes; shut-off the engine; and remove the ignition key. Remove the battery cover and disconnect the negative battery cable.
2. Chock the wheels.

3. Attach the lights to the light mount using the provided hardware. FIG. 1

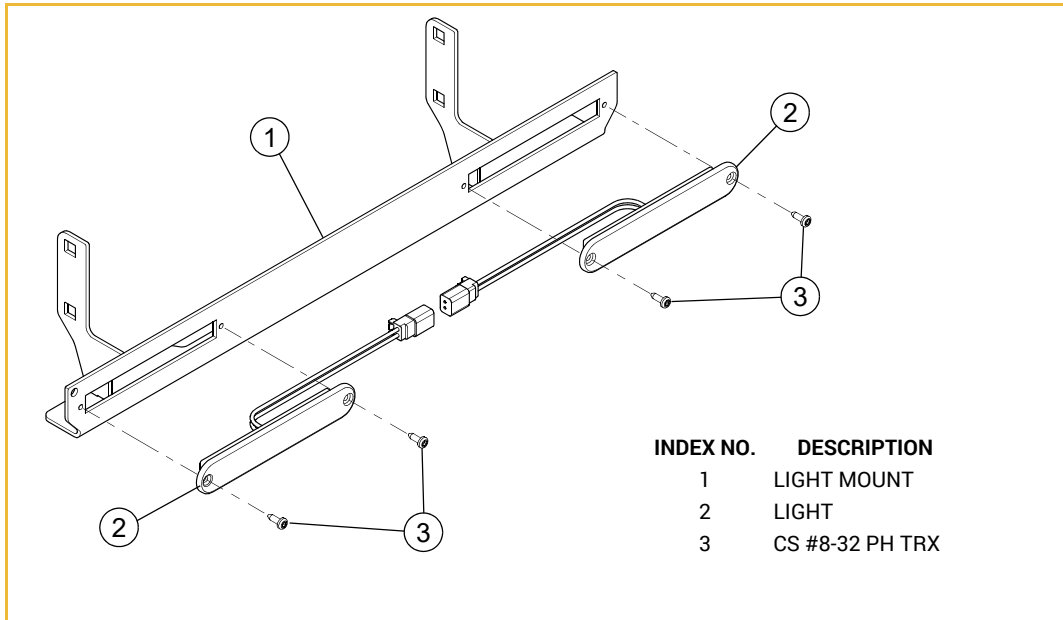


FIG. 1

4. Remove but keep the hardware which attaches the muffler guard to the frame. FIG. 2
5. Mount the light bracket and the muffler guard to the frame using the hardware removed in the previous step. FIG. 2
6. Connect the light harness to the lights in the light mount.

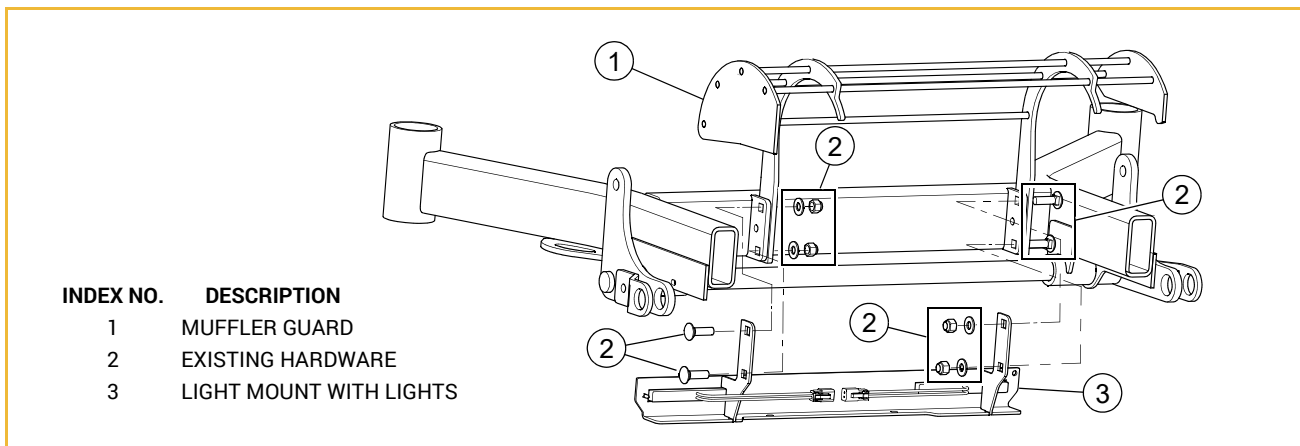


FIG. 2

7. Insert wire ties through the holes in the mower frame and then route the light harness along the inside of the frame, loosely securing it in place with the wire ties. FIG. 3
8. Route the light harness through the engine plate opening (not outside the frame) to the area in front of the engine. FIG. 3

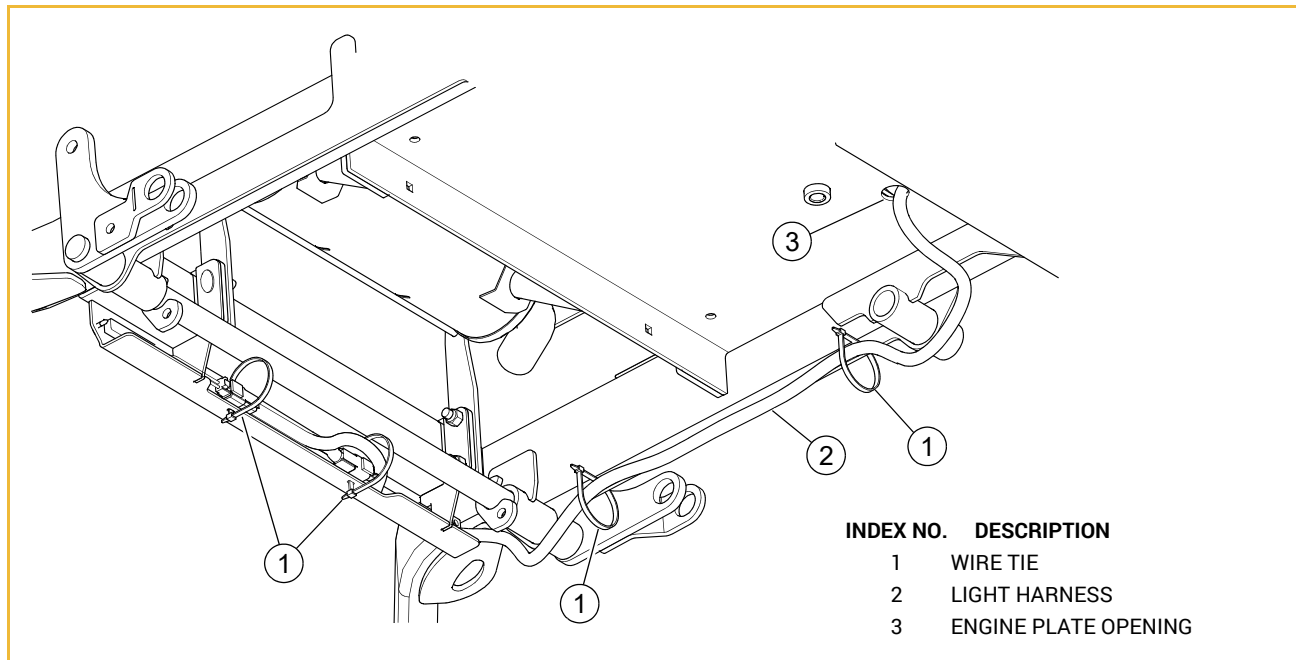


FIG. 3

9. Route the light harness above the mower frame as shown and secure in place with the wire ties. Check the light harness routing and make sure the harness does not come in contact with any moving parts. Correct as necessary. FIG. 4
10. Locate the connector in the main wiring harness between the engine and the operator platform. FIG. 4
11. Remove and discard the plug from the mower harness connector.
12. Connect the light harness to the mower wiring harness. FIG. 5

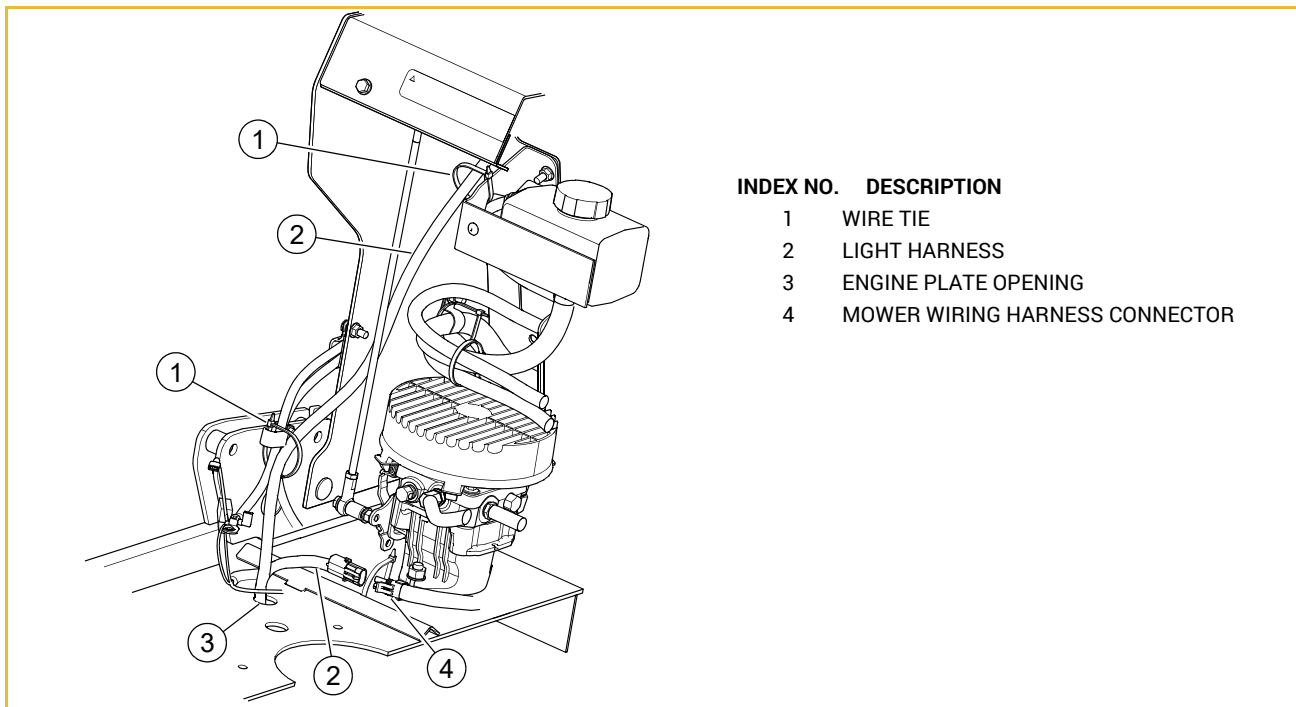


FIG. 4

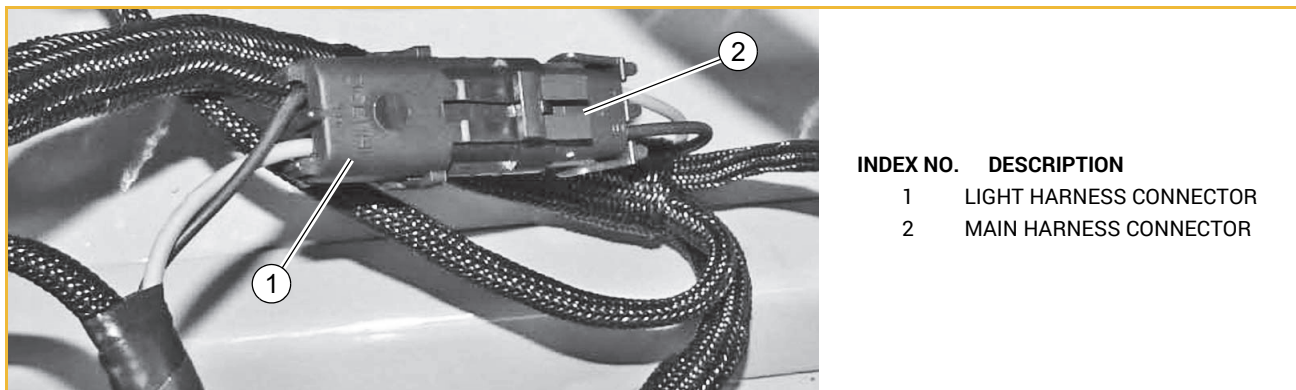
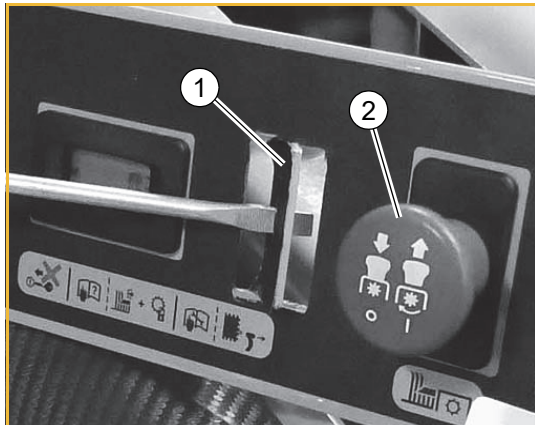


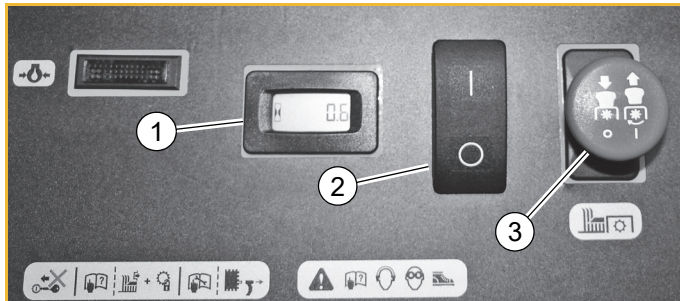
FIG. 5

13. Check the light harness routing, pull the wire ties tight and cut off the excess wire tie.
14. Locate the rectangular panel tab between the deck clutch switch and the hour meter in the instrument panel. Using the panel tab as a guide, cut through the decal from the back of the instrument panel. FIG. 6
15. Use a small pry bar to remove the panel tab. FIG. 6
16. Insert the light switch into the cut-out, oriented as shown in FIG. 7. It will snap into place.



INDEX NO.	DESCRIPTION
1	INSTRUMENT PANEL TAB
2	DECK CLUTCH SWITCH

FIG. 6



INDEX NO.	DESCRIPTION
1	HOUR METER
2	SWITCH
3	DECK CLUTCH SWITCH

FIG. 7

- 17.** In the instrument panel wiring area, locate the light harness and connect the two female blade terminals to the back of the light switch (polarity is not critical). FIG. 8

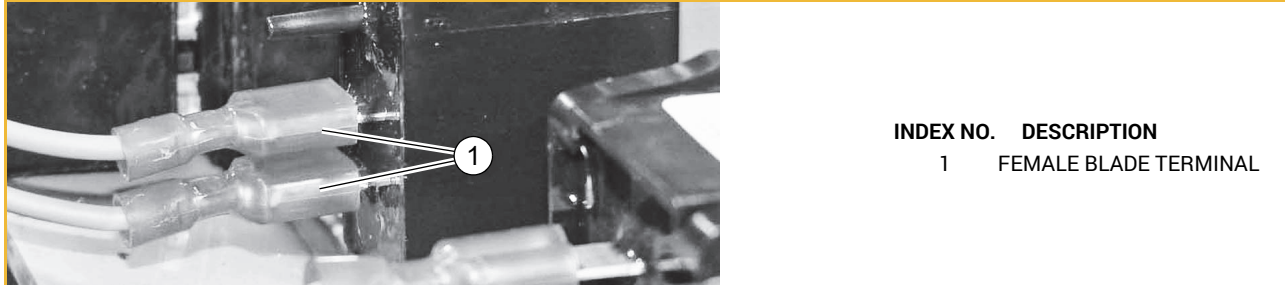


FIG. 8

- 18.** Reconnect the negative battery cable and replace the battery cover.
19. Remove the wheel chocks. The mower is ready to operate.