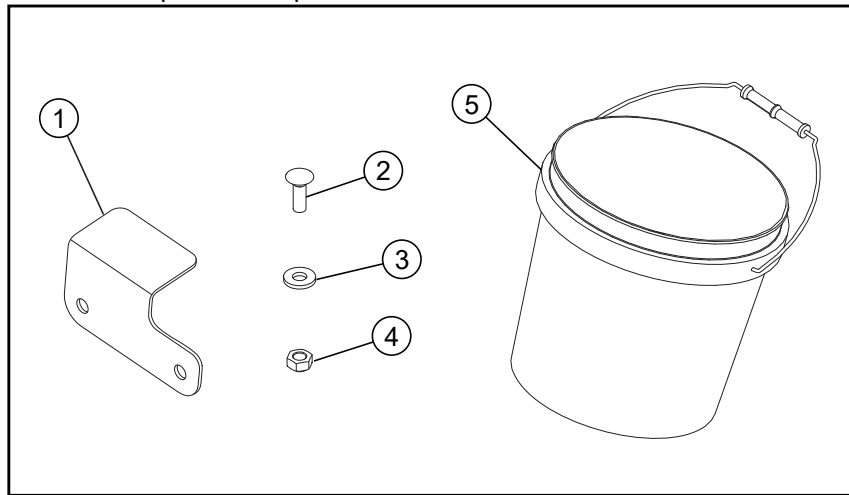


**Packing List**

Listed below are parts included in this kit. If any parts are missing or damaged, please contact the Excel Parts Department. Retain these instructions for replacement parts.



INDEX NO.	PART NO.	DESCRIPTION	QTY
1	127347-3	BUCKET HOOK	1
2	794784	CB .250-20 X .75 FUL ZN	2
3	768515	FW 0.281 SAE	1
4	068551	NT .250-20 HX Z NL	2
5	606397	TRASH BUCKET	1



**WARNING**



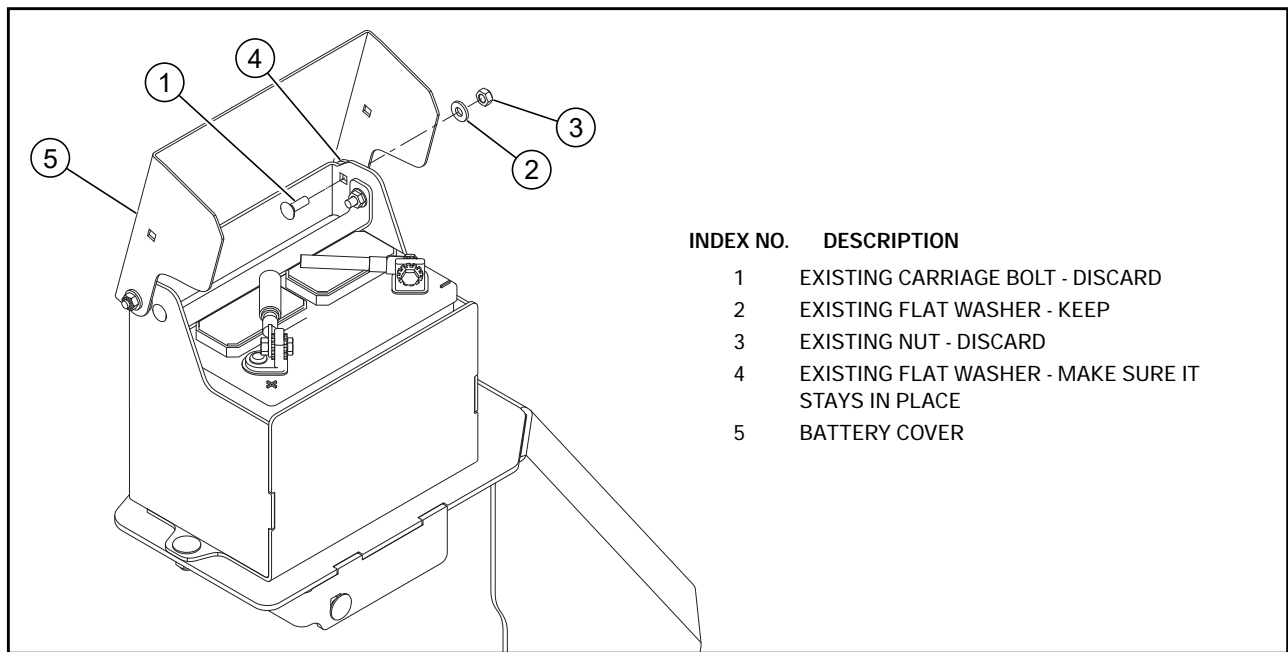
Shorts caused by battery terminals or metal tools touching metal mower components can cause sparks. Sparks can cause a battery gas explosion which will result in personal injury.

- Prevent the battery terminals from touching any metal mower parts when removing or installing the battery.
- Do not allow metal tools to short between the battery terminals and metal mower parts.

**Assembly**

1. Park the mower on a solid, level surface; set the park brakes; shut off the engine; and remove the ignition key.
2. Raise the battery cover and remove the rear carriage bolt, flat washer, and nut. Keep the flat washer. Discard the carriage bolt and nut. Fig. 1

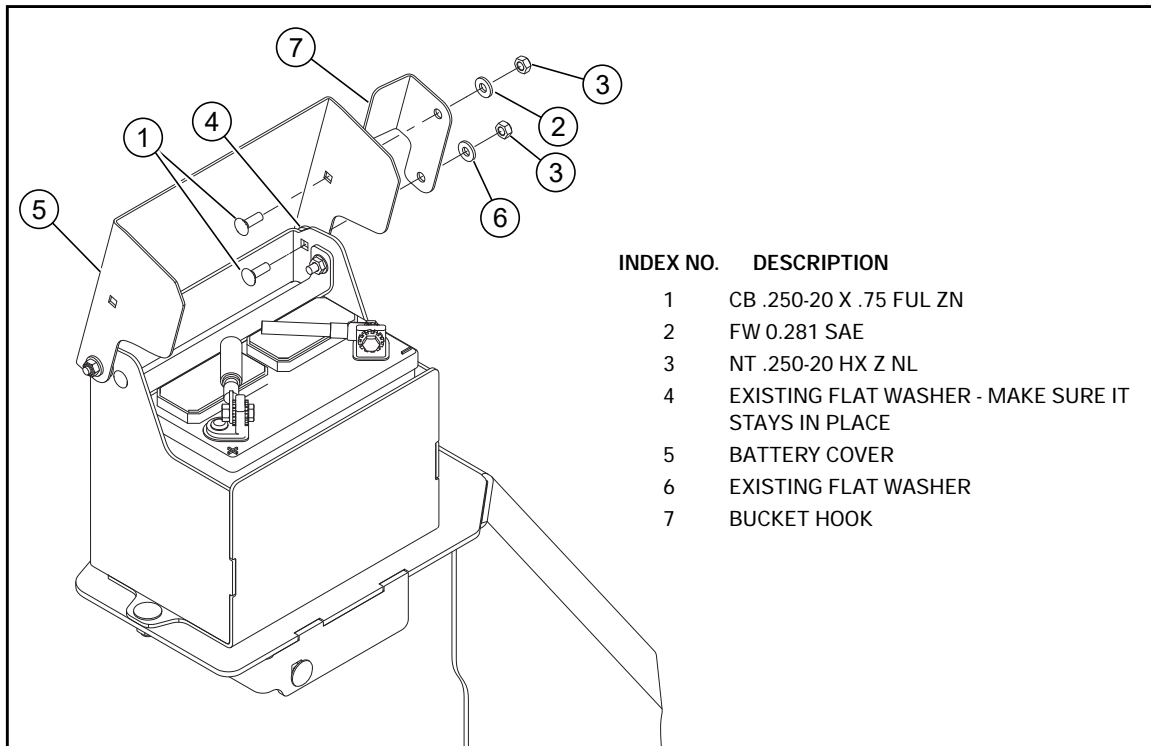
**NOTE:** Make sure the flat washer that is located between the battery cover and the battery box remains in place. Fig. 1



INDEX NO.	DESCRIPTION
1	EXISTING CARRIAGE BOLT - DISCARD
2	EXISTING FLAT WASHER - KEEP
3	EXISTING NUT - DISCARD
4	EXISTING FLAT WASHER - MAKE SURE IT STAYS IN PLACE
5	BATTERY COVER

FIG. 1

3. Attach the bucket hook to the battery cover. Fig. 2



INDEX NO.	DESCRIPTION
1	CB .250-20 X .75 FUL ZN
2	FW 0.281 SAE
3	NT .250-20 HX Z NL
4	EXISTING FLAT WASHER - MAKE SURE IT STAYS IN PLACE
5	BATTERY COVER
6	EXISTING FLAT WASHER
7	BUCKET HOOK

FIG. 2

4. Close the battery cover and place the trash bucket handle under the bucket hook. Fig. 3

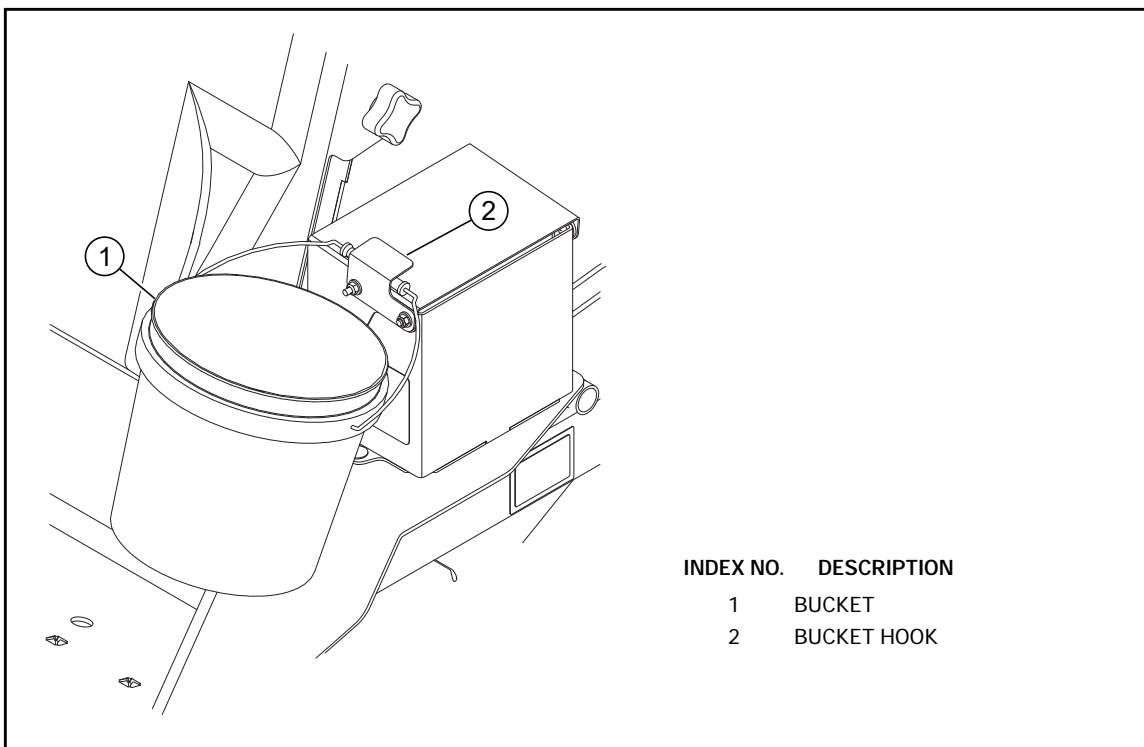


FIG. 3



**WARNING**



Always bring the mower to a complete stop before using a trash pickup tool to pick up paper or other trash.