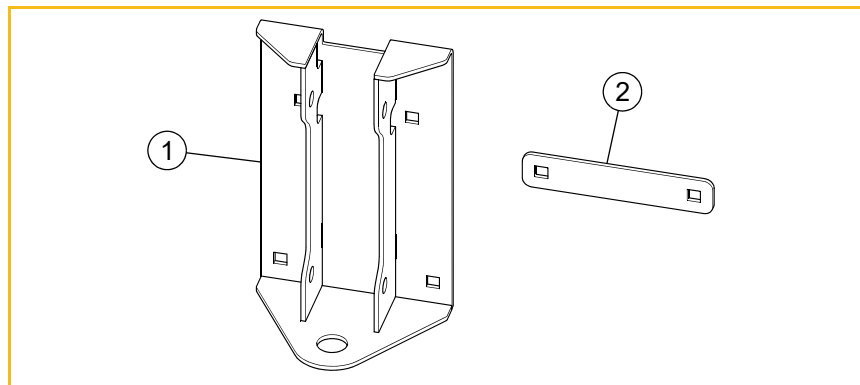


HITCH KIT

PART NUMBER: 127156

PACKING LIST:

Listed below are parts included in this kit. If any parts are missing or damaged, please contact the Hustler® Parts Department. Retain these instructions for replacement parts.



INDEX NO.	DESCRIPTION	QTY
1	Guard Mount W/A	1
2	Mount Spacer	1

WARNING

Allow the engine exhaust system to cool before proceeding with the kit installation.

ASSEMBLY:

1. Park the mower on a solid, level surface; set the park brakes; shut off the engine; and remove the ignition key. Disconnect the negative battery cable.
2. Remove the logo badge and mounting screws from the rear of the mower. Keep these parts to install on the mower if the hitch is removed. FIG. 1

3. Remove the lower cover from the rear of the mower. Keep the lower cover to reinstall on the mower if the hitch is removed. The existing hardware will be used to attach the hitch. FIG. 1 & FIG. 2
4. Remove the hardware that bolts the two engine guards together. Keep this hardware as it will be used to attach the hitch. FIG. 2
5. Attach the guard mount and mount spacer to the mower frame using the hardware shown. FIG. 2
6. Reconnect the negative battery cable.

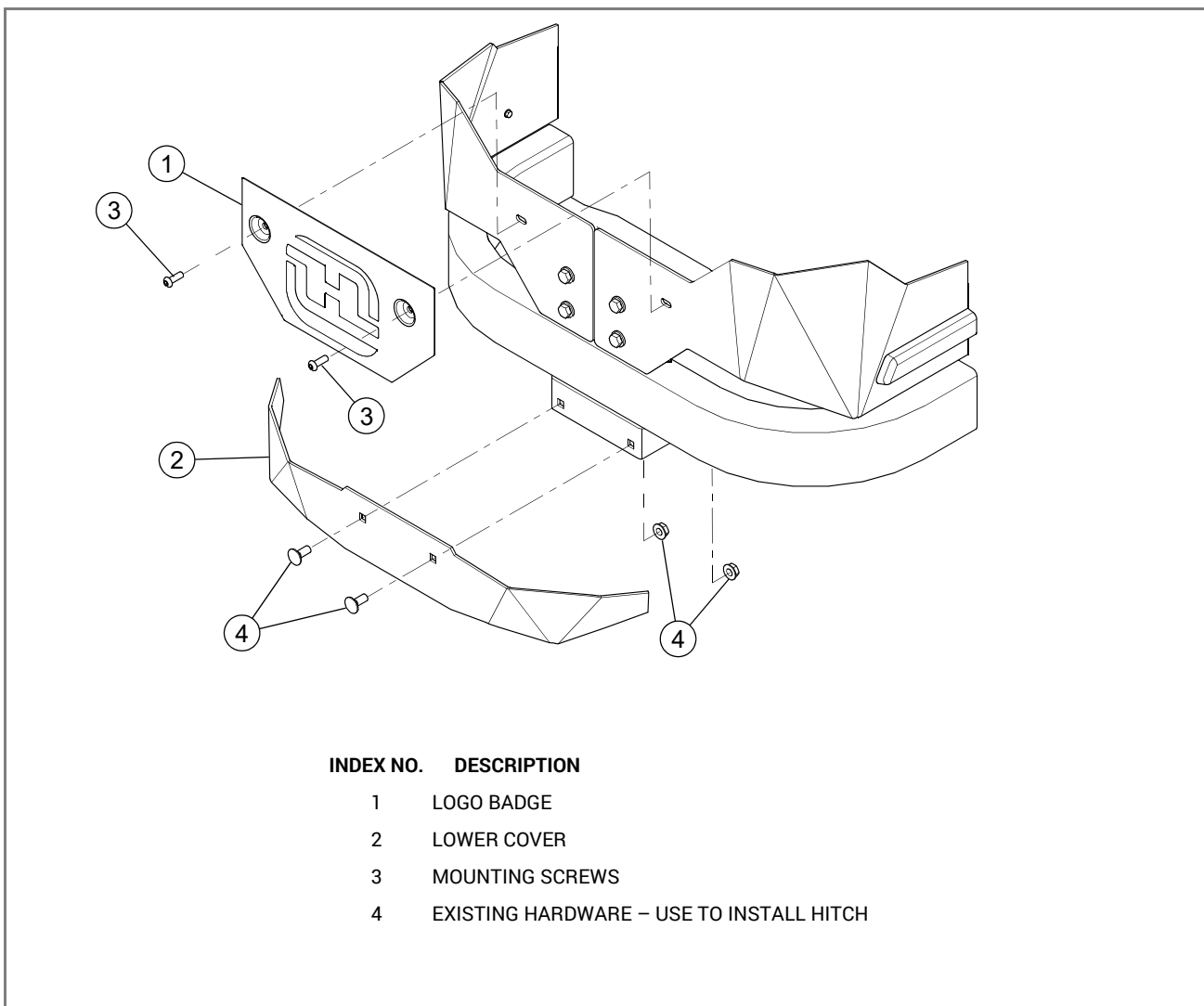


FIG. 1

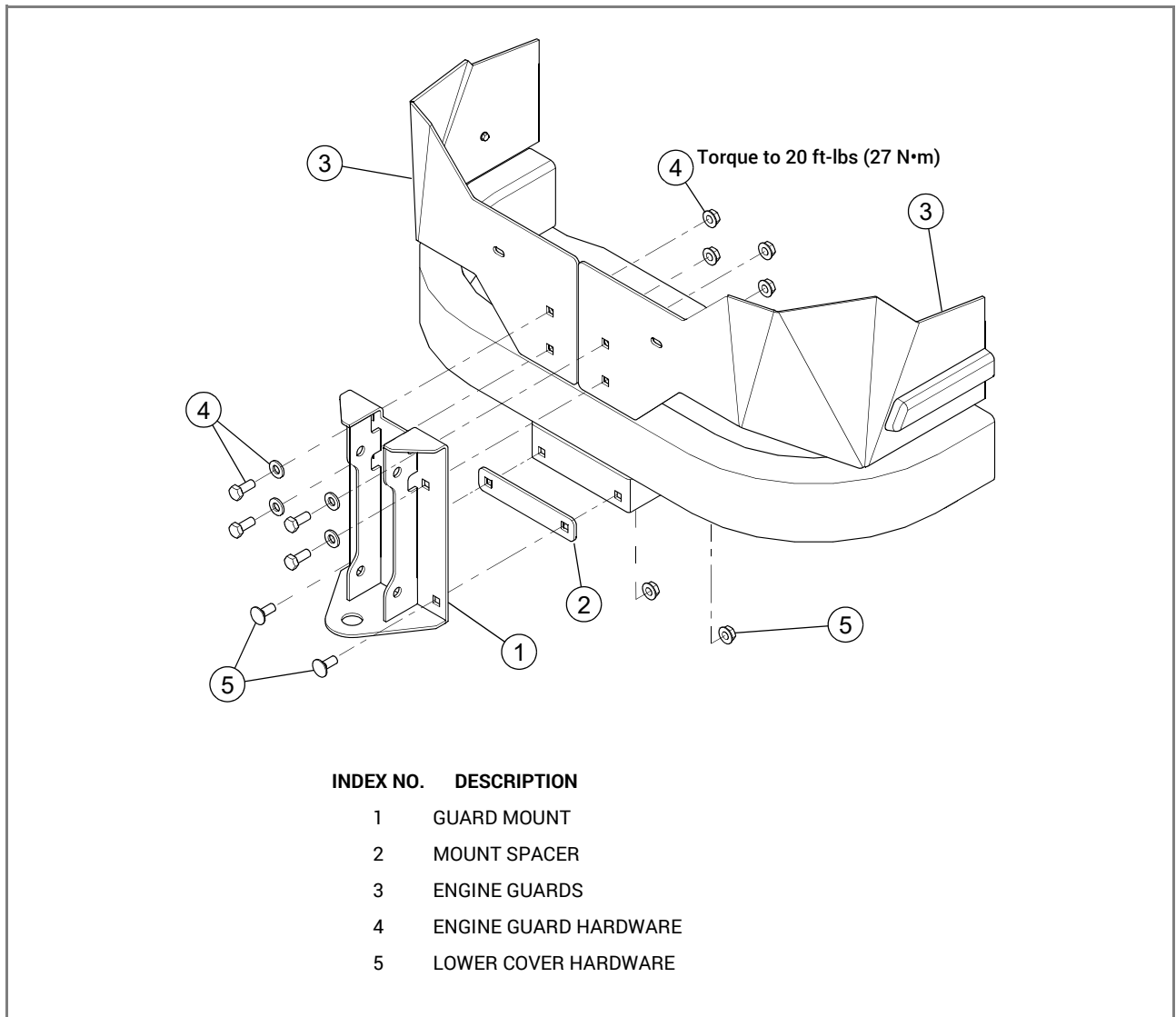


FIG. 2