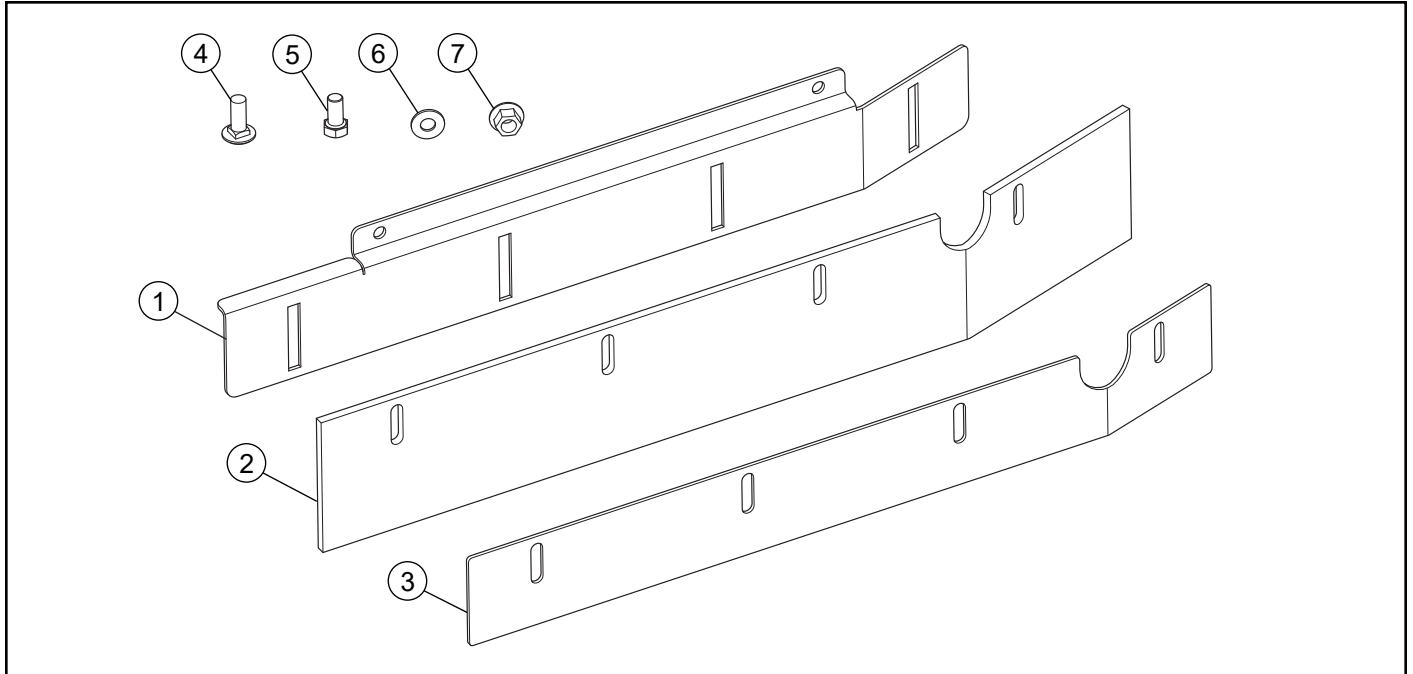


Packing List

Listed below are parts included in this kit. If any parts are missing or damaged, please contact Excel Parts Department. Retain these instructions for replacement parts.



INDEX NO.	PART NO.	DESCRIPTION	QTY.
1	127076-1	MOUNTING PLATE	1
2	127075	RUBBER FLAP	1
3	127077-1	CLAMP PLATE	1
4	025395	CB .375-16 X 1.00 G5 ZN	4
5	055822	CS .375-16 X .75 HX G5	2
6	767954	FW .379 X .813 X .06 HD ZN	2
7	604515	NT .375-16 FL NY GF	6



WARNING



Mower blades are sharp and can cut. Wrap the blades or wear gloves and use caution when working around them.



WARNING



Use only appropriate vehicle stands, with a minimum weight rating of 2000 pounds to block the unit up. Use in pairs only. Follow the instructions supplied with the vehicle stands.

Assembly

1. Park the mower on a solid, level surface; set the park brakes; shut off the engine; and remove the ignition key. Disconnect the negative battery cable.
2. Place the mower securely on jack stands and do not allow the mower to move.
3. Assemble the mount plate, rubber flap, and clamp plate together using the hardware shown. Do not tighten the hardware. Fig. 1
4. Locate the pilot holes on the right rear wrapper and back of the deck. Drill the pilot holes out to .406". Fig. 2
5. Attach the stripe kit to the deck and right rear wrapper with the hardware provided. Fig. 2
6. Lower the mower.
7. Adjust the rubber flap and clamp plate to the desired height and tighten the hardware.

NOTE: The stripe kit can be adjusted to a variety of grass conditions, cut heights, and preferences. Setting the rubber flap 1" above the ground with the deck set at your normal cutting height is a good starting point. Positioning the rubber flap closer to the ground will produce a more defined stripe but may tend to tear weaker turf. Moving the clamp plate higher relative to the rubber flap allows the rubber to be more flexible and accommodating to fragile grasses and uneven ground. Moving the clamp plate lower relative to the rubber flap maintains more pressure against the grass. Adjust until the desired striping is achieved.

8. Connect the negative battery cable. The mower is now ready to operate.

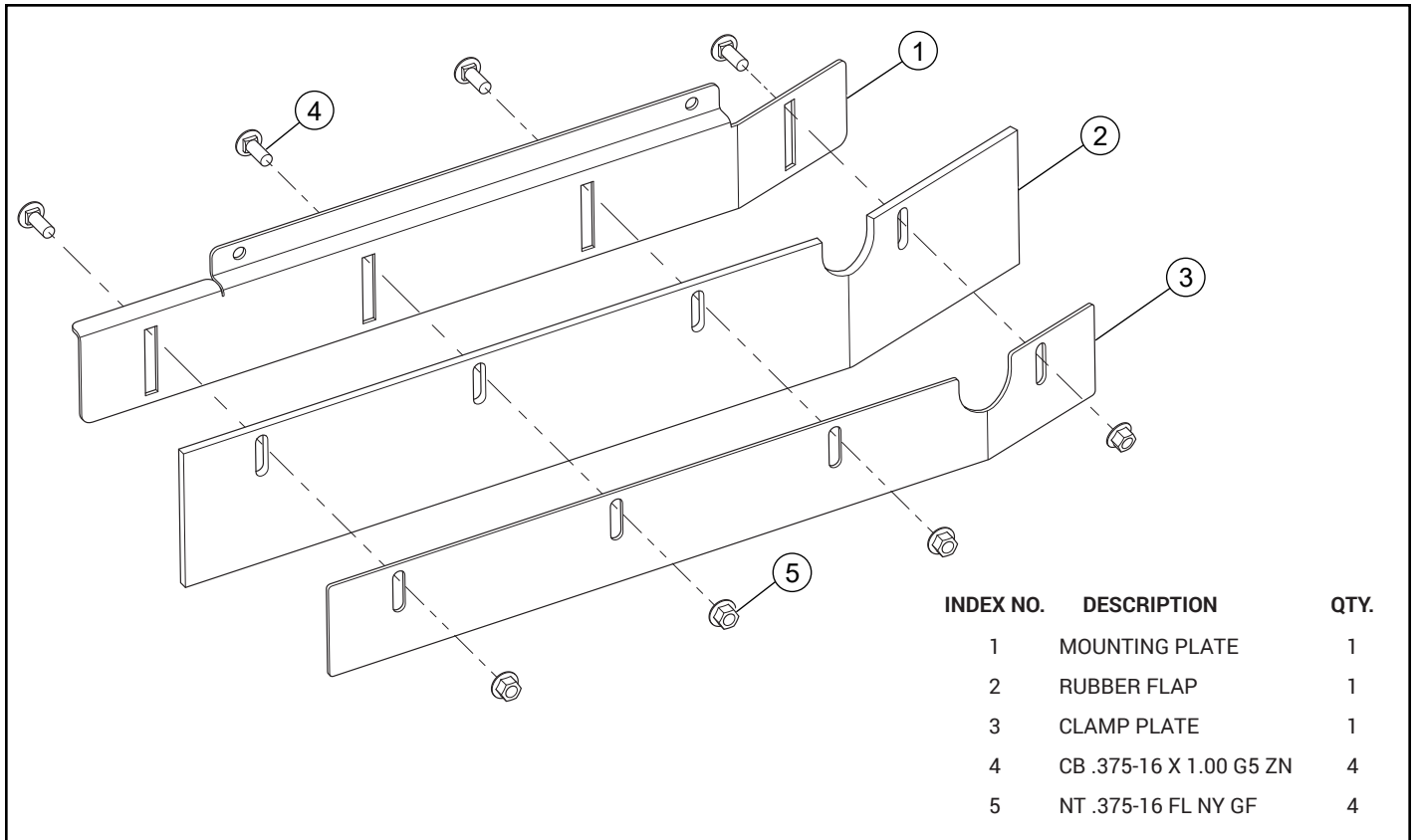


FIG. 1

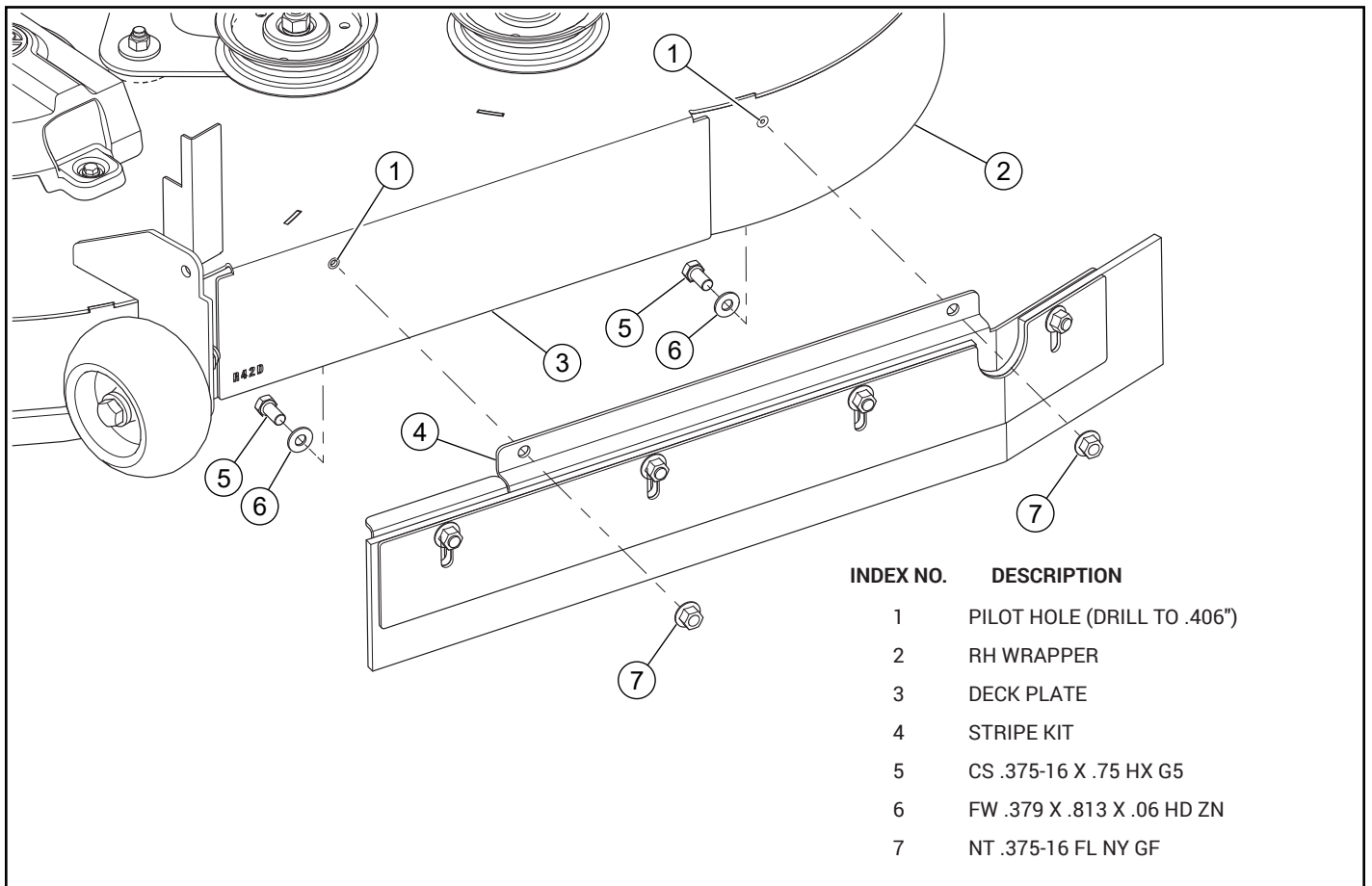


FIG. 2