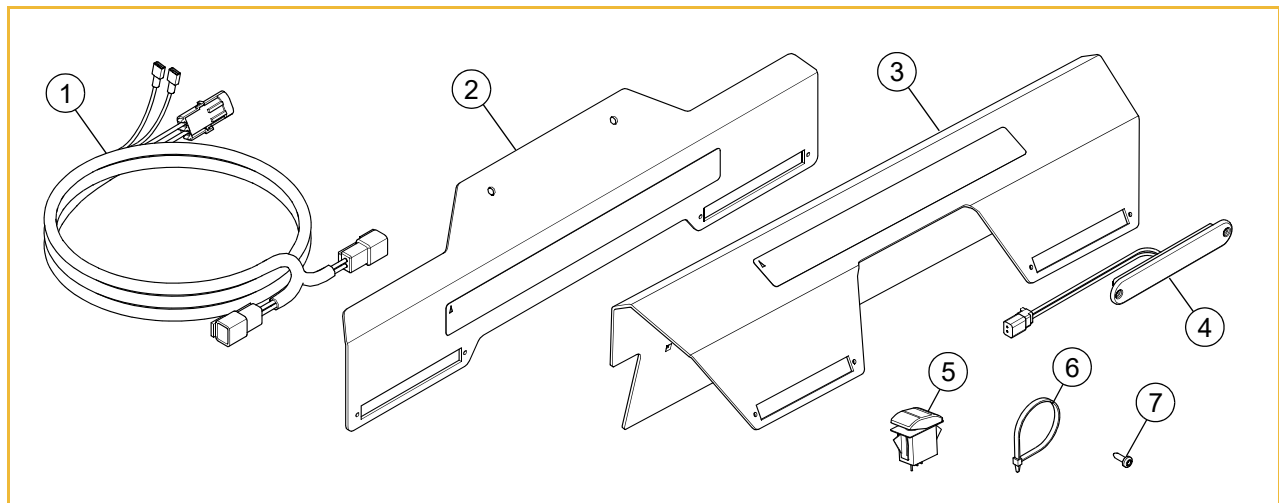


LIGHT KIT

PART NUMBER: 127057

PACKING LIST:

Listed below are parts included in this kit. If any parts are missing or damaged, please contact the Hustler® Parts Department. Retain these instructions for replacement parts.



| INDEX NO. | PART NO. | DESCRIPTION | QTY |
|-----------|----------|--------------------------|-----|
| 1 | 605661 | LIGHT HARNESS | 1 |
| 2 | 555814 | LIGHT MOUNT PLATE, BLACK | 1 |
| 3 | 555864 | LIGHT MOUNT PLATE, BLACK | 1 |
| 4 | 605003 | LIGHT | 2 |
| 5 | 601116 | LIGHT SWITCH | 1 |
| 6 | 000331 | WIRE TIE, SMALL/SHORT | 7 |
| 7 | 605225 | CS 8-32 PH TRX | 4 |

WARNING

Use extreme caution if it becomes necessary to operate the unit, transporting or mowing, after dark or in low light situations. Only operate in open areas where there are no overhead obstructions; i.e. guide wires, tree branches, low overhangs, etc. Operate only in areas where the operator is thoroughly familiar with the terrain and any potential hazards. The lights are designed to illuminate forward and down and will not illuminate to the side or upward.

ASSEMBLY:

1. Park the mower on a solid, level surface; set the park brakes; shut off the engine; and remove the ignition key. Disconnect the negative battery cable.
2. **RAPTOR X/RAPTOR XL**, remove the front cover. Keep the existing hardware. FIG. 1
RAPTOR XD/RAPTOR XDX, remove the outer footrest. Keep the existing hardware. FIG. 2
3. Attach the lights to the light bracket.
4. Attach the light bracket to the front of the footrest. Use the existing hardware.
RAPTOR XD/RAPTOR XDX, Attach the light bracket to the footrest. Use the existing hardware. FIG. 2
5. Remove the floor pan. FIG. 3

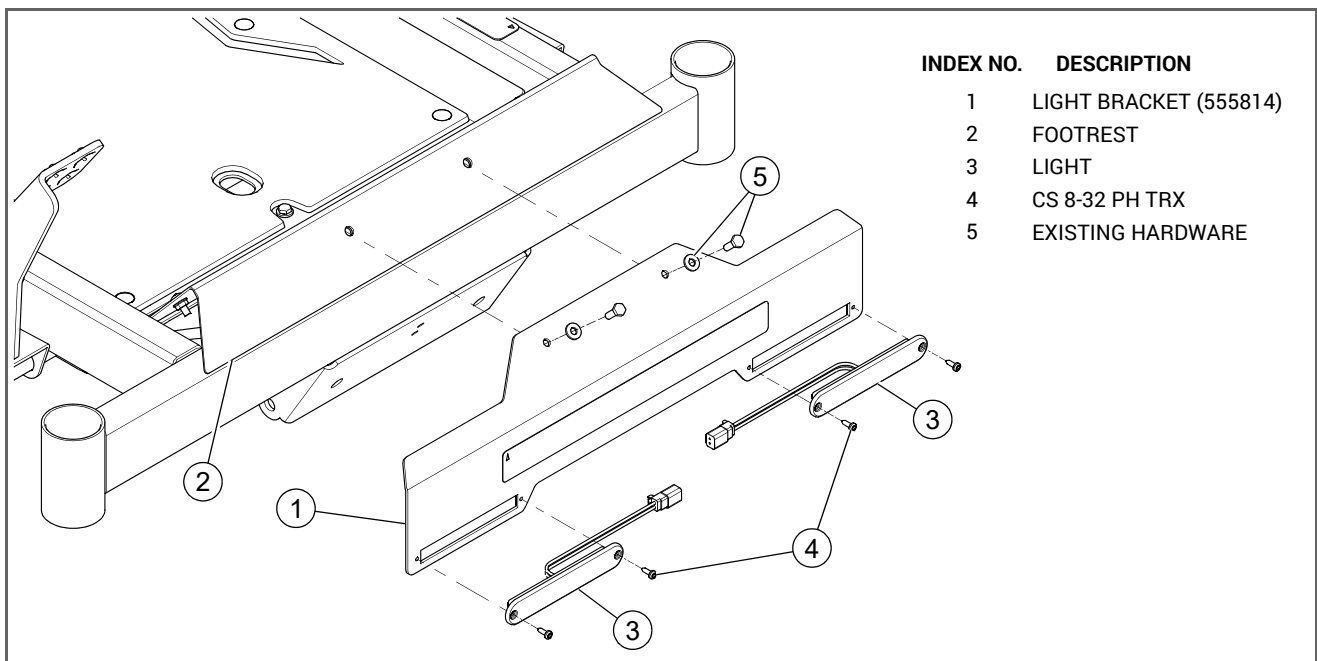


FIG. 1

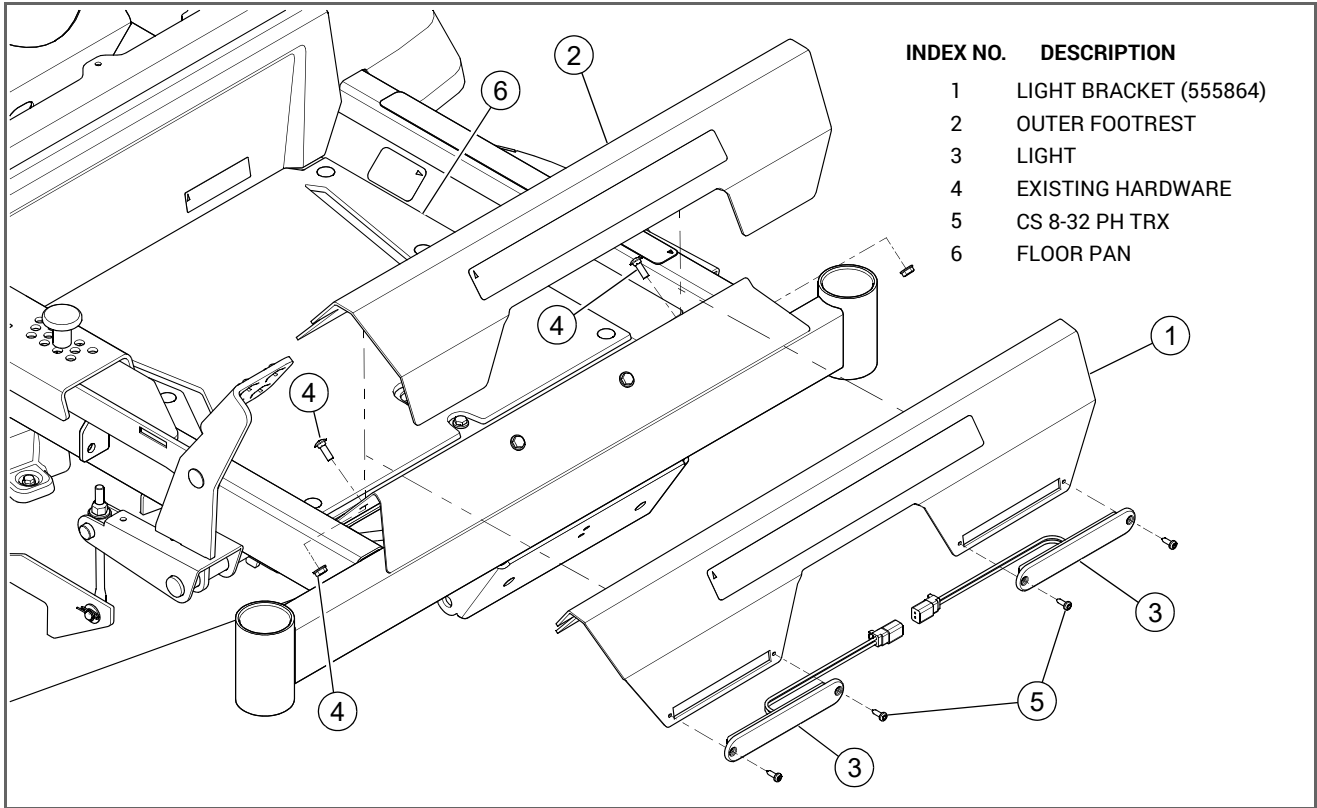


FIG. 2

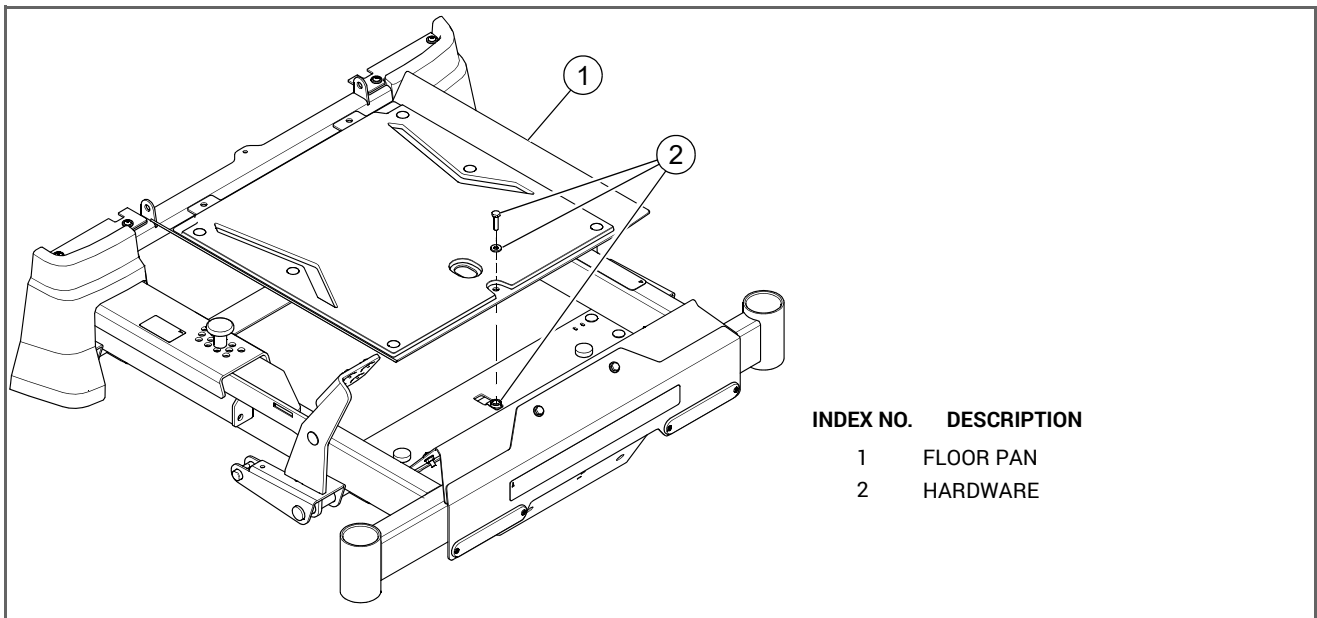


FIG. 3

6. Connect the lights to the light harness. Secure the light harness to the puller mount bracket with the wire ties. FIG. 4
7. Route and attach the light harness to the right side of the mower frame as shown. Do not tighten the wire ties. FIG. 4.

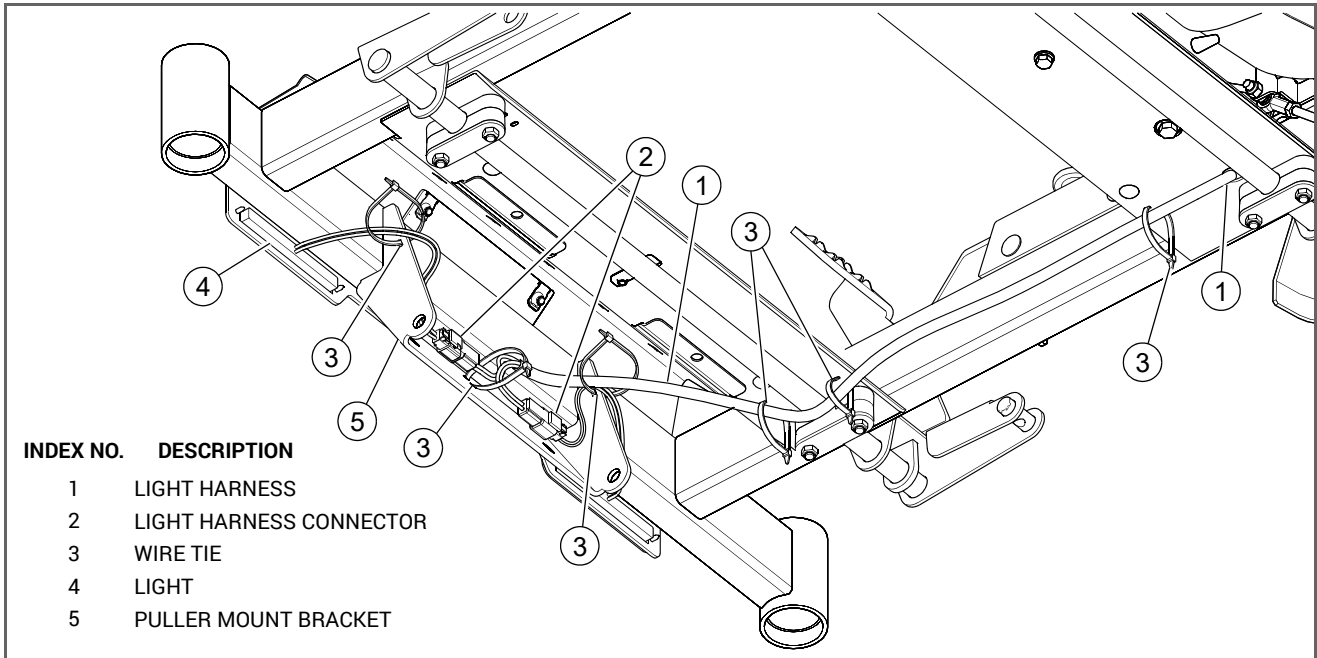


FIG. 4

8. Insert the light harness up through the hole in the cross member plate as shown. FIG. 5

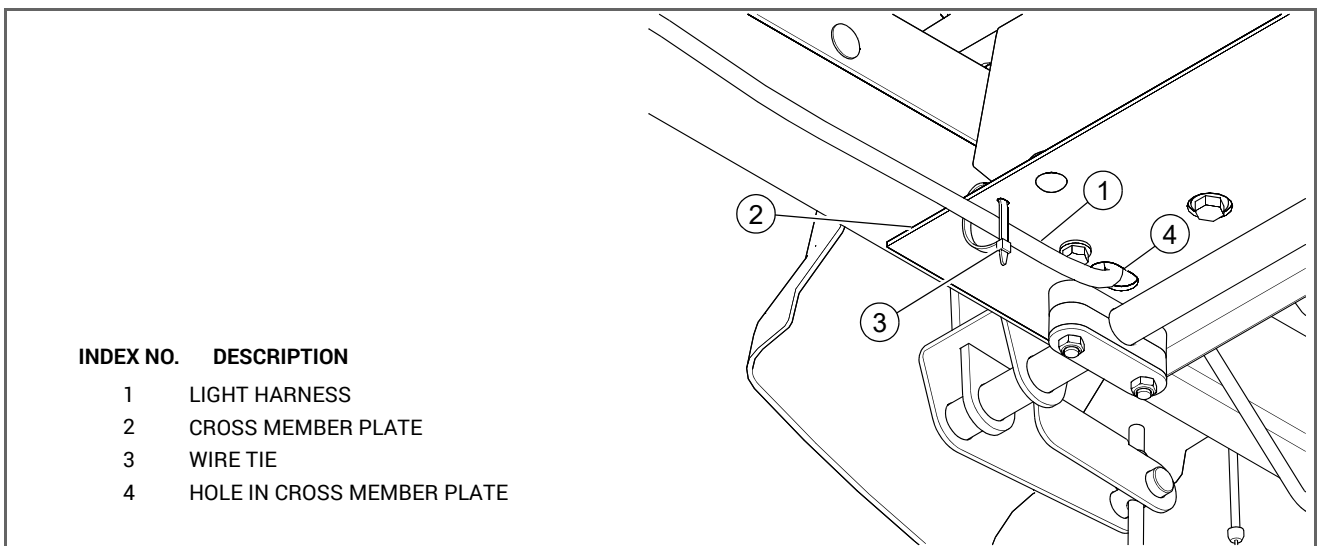


FIG. 5

9. Remove the control panel. Locate the switch slot on the underneath side of the control panel. Use a sharp knife to cut the control panel decal in the location shown. FIG. 6
10. Insert the light switch into the control panel. NOTE: Make sure the "ON" position is facing outward. Snap the light switch into the slot. FIG. 6

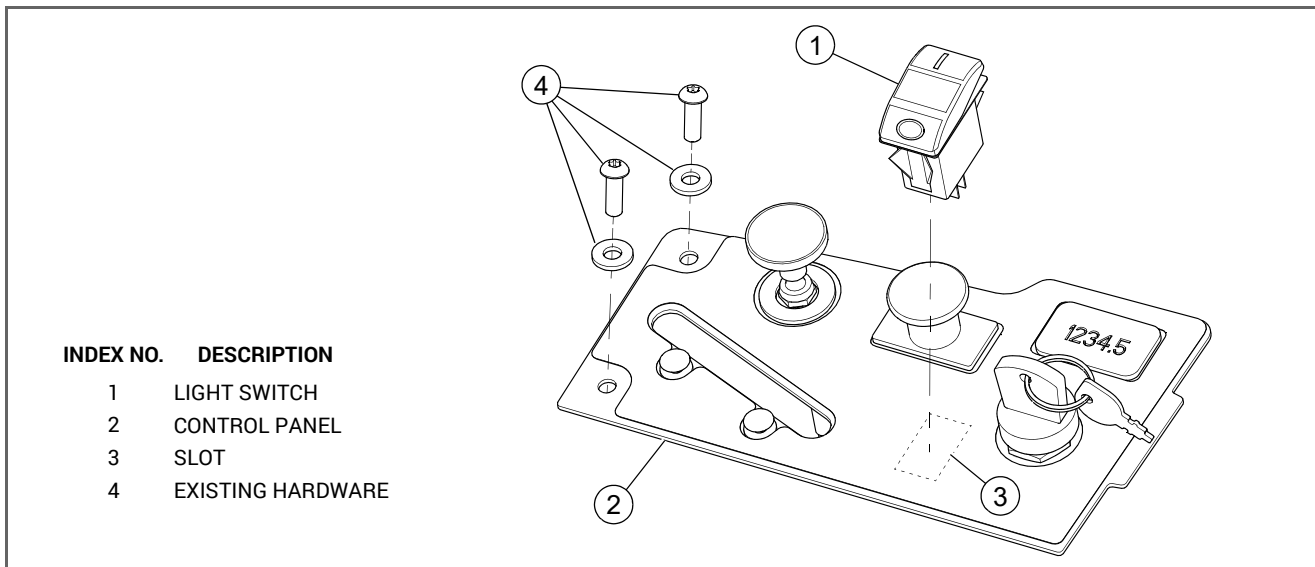


FIG. 6

11. Route the light harness along the mower harness to the underneath side of the control panel. FIG. 7
12. Attach the two spade connectors to the bottom of the light switch. FIG. 7
13. Locate the mower harness auxiliary plug under the control panel and remove the connector plug. Attach the light harness connector to the auxiliary connector. FIG. 7

14. Secure the light harness and the mower harness with a wire tie to the fender mount as shown. Attach the control panel with the existing hardware. FIG. 7

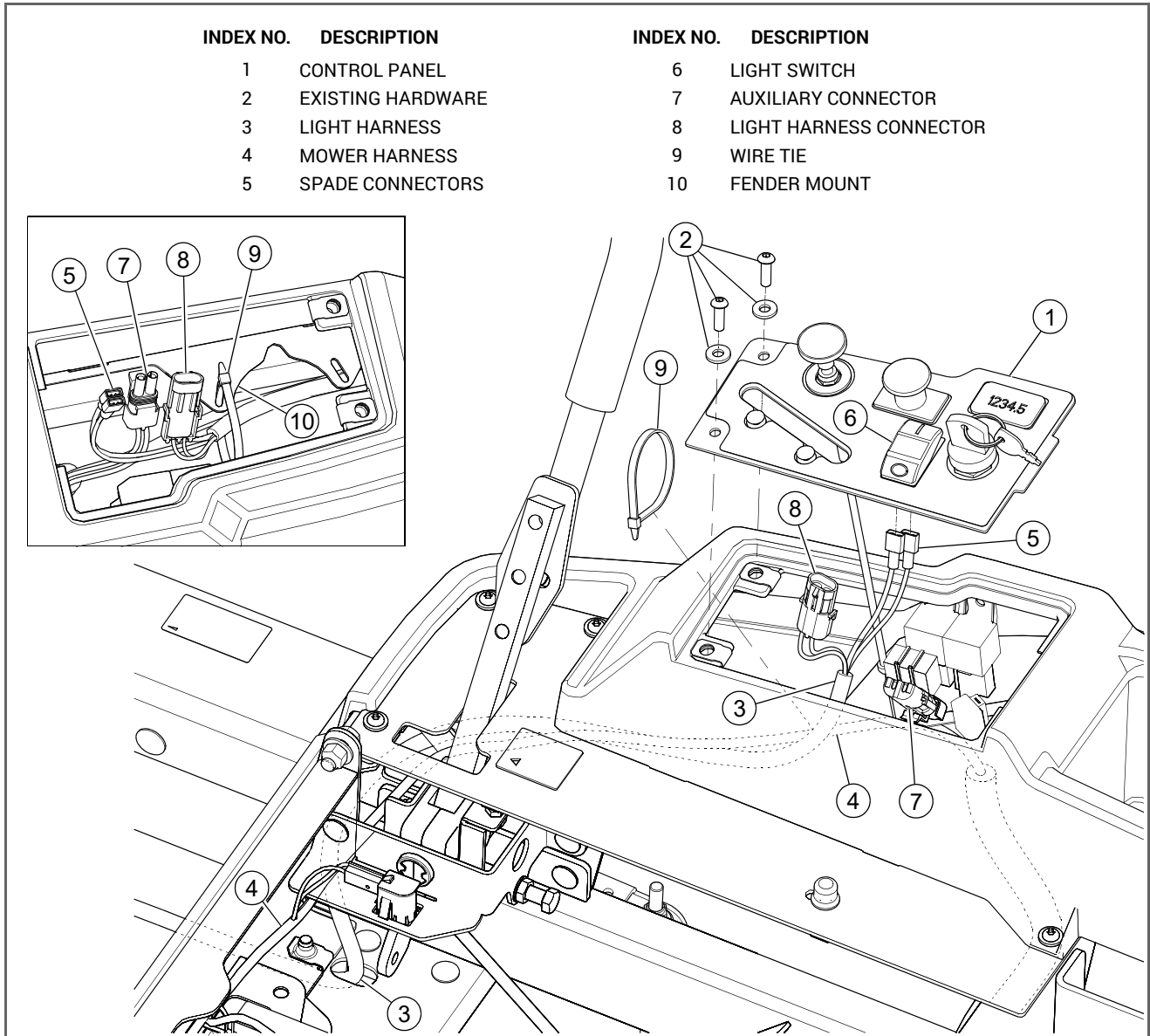


FIG. 7

15. Adjust the light harness to avoid moving components or being pinched. Tighten the wire ties. FIG. 8

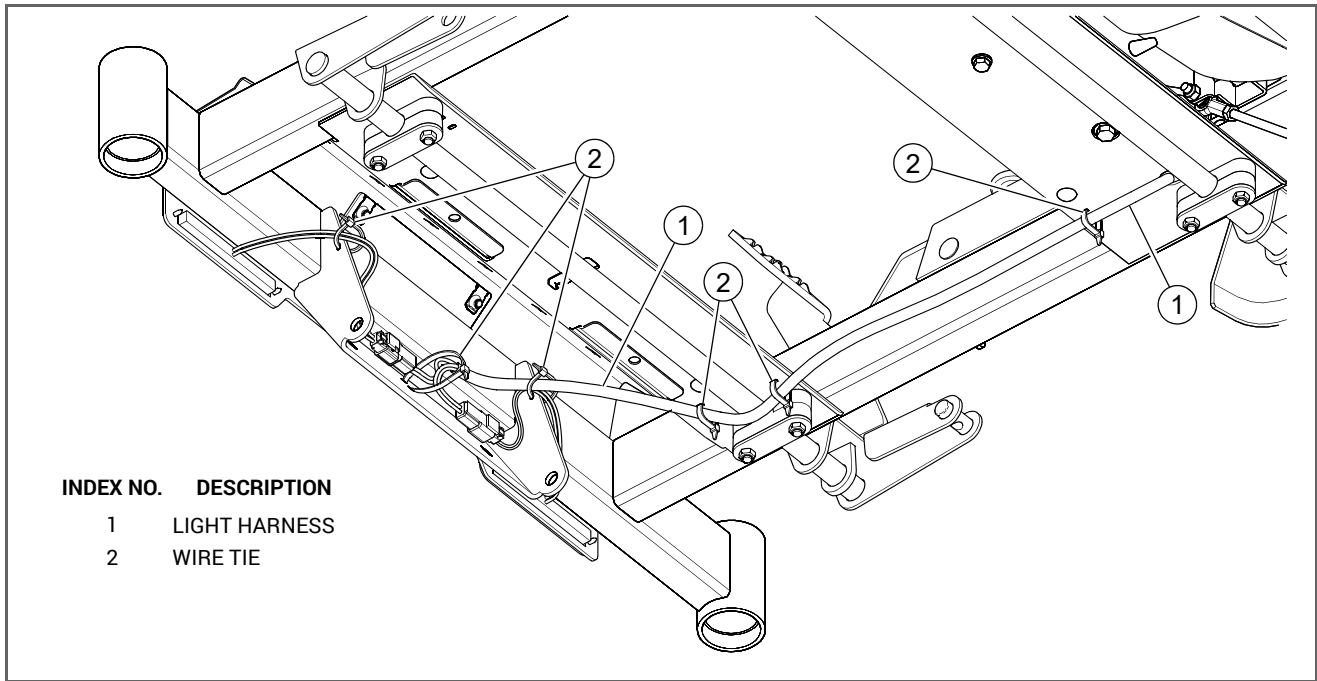


FIG. 8



WARNING



Make sure the light switch harness does not come into contact with any moving parts.

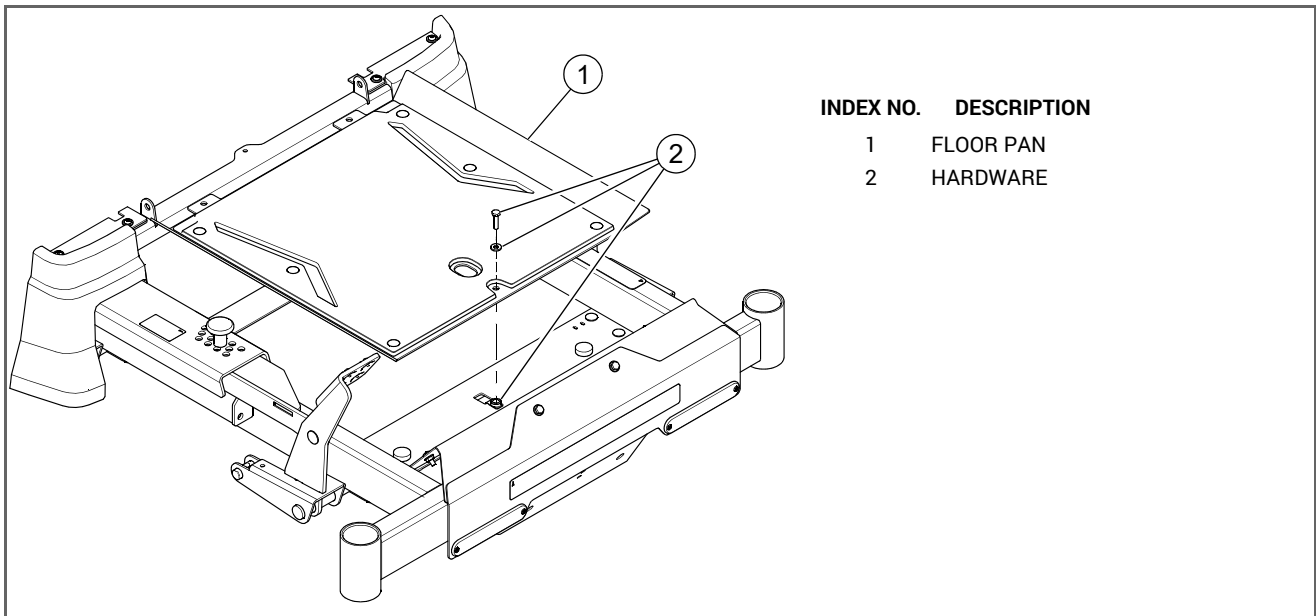
16. Install the floor pan. FIG. 9

FIG. 9

17. Re-connect the negative battery cable.

18. The lights should turn on when the key is in the "RUN" position and the light switch is in the "ON" position.