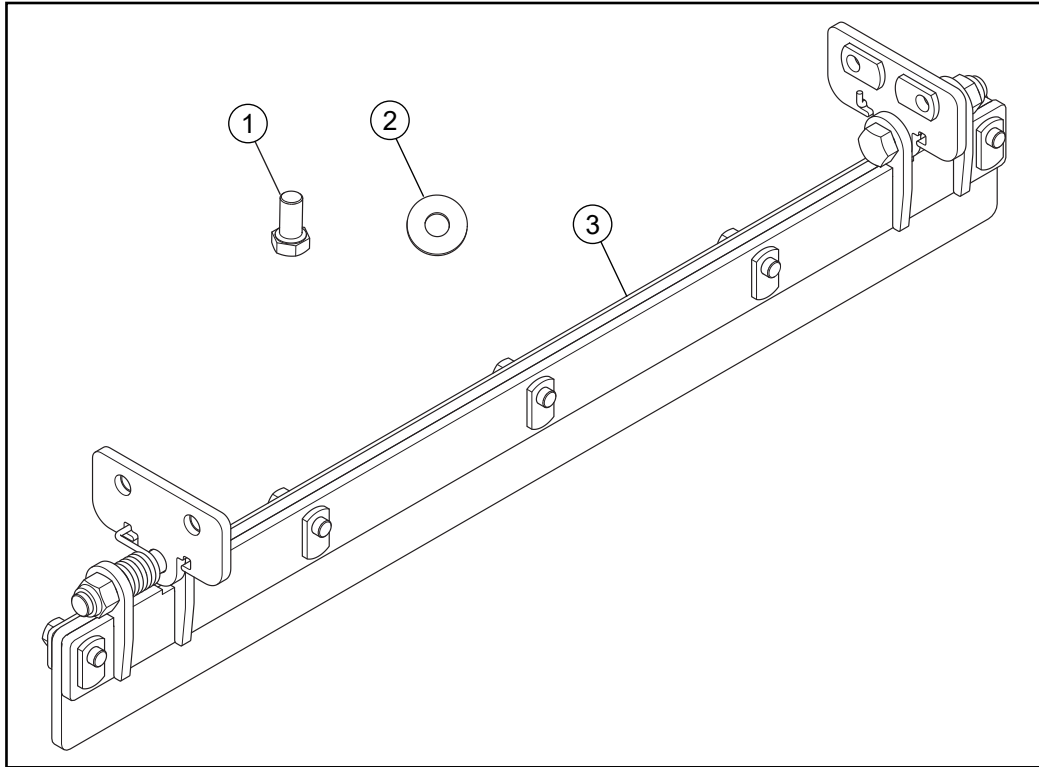


Packing List

Listed below are parts included in this kit. If any parts are missing or damaged, please contact Excel Parts Department. Retain these instructions for replacement parts.



INDEX NO.	PART NO.	DESCRIPTION	QTY
1	055822	CS .375-16 X .75 HX G5	4
2	712919	FW .406 X 1.00 X .12 HRD Z	4
3		STRIPE KIT ASSEMBLY	



WARNING



Use only appropriate vehicle stands, with a minimum weight rating of 2000 pounds to block the unit up. Use in pairs only. Follow the instructions supplied with the vehicle stands.

Assembly

1. Park the mower on a solid, level surface; set the park brakes; shut off the engine; and remove the ignition key. Disconnect the negative battery cable.
2. Chock the front wheels to prevent the mower from moving.
3. Raise the rear of the mower high enough to attach the kit. Place the mower on vehicle stands.

- Position the stripe kit assembly with the mounting brackets on the inside of the frame and aligned with the holes in the frame. Fig. 1

IMPORTANT: The orientation of the spring is critical to proper operation; assemble as shown.

IMPORTANT: For the stripe kit to function properly, it must be attached so that the flap will be held to the ground by the spring tension when the machine is moving forward. The tension is released and the flap swings freely when the machine is moving in reverse.

- Secure with the cap screws and flat washers inserted through the frame and into the brackets. Fig. 1
- Lower the mower off the jack stands and remove the wheel chocks.
- Connect the negative battery cable. The machine is ready to operate.

IMPORTANT: Use caution when crossing uneven terrain, such as curbs, to prevent damage to the stripe flap.

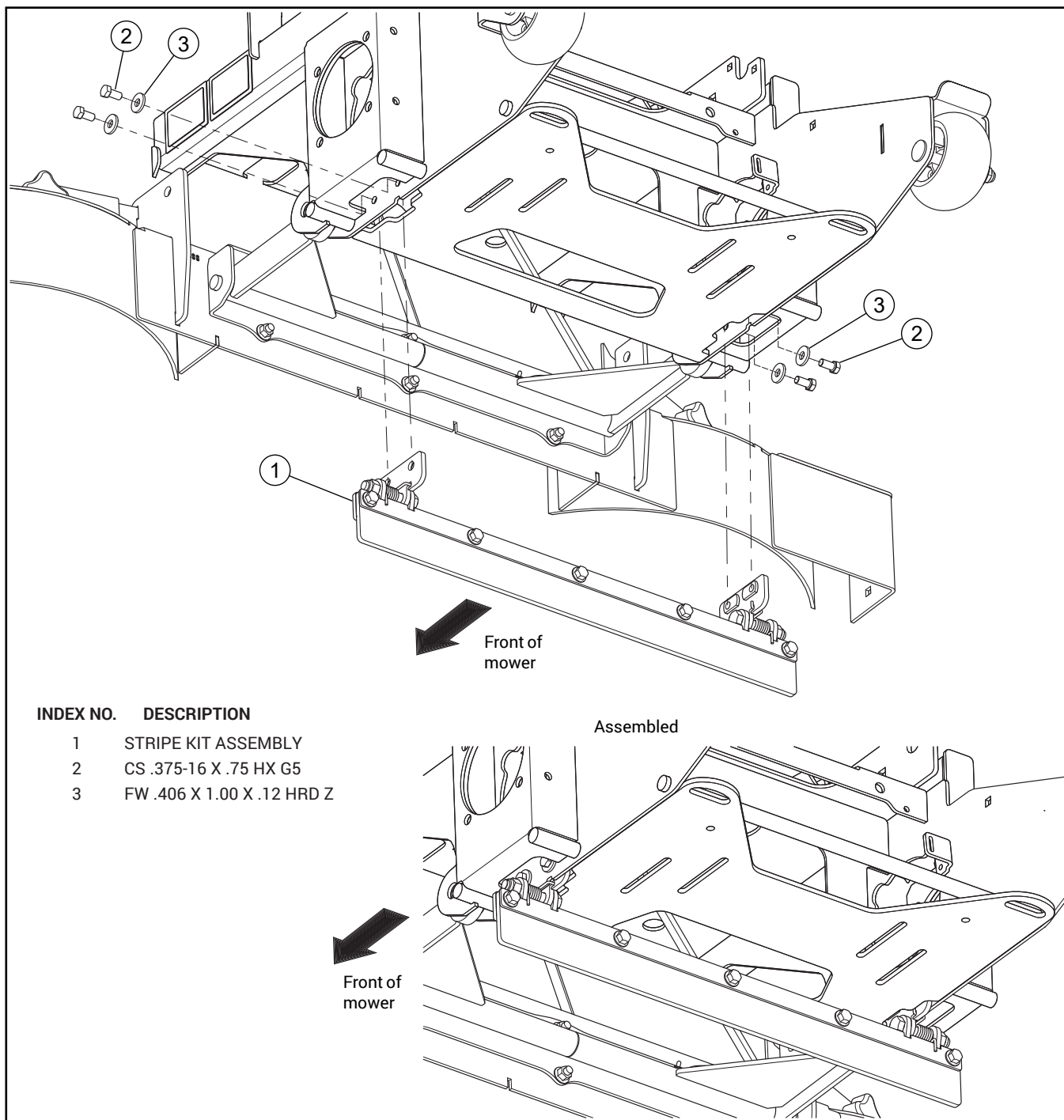
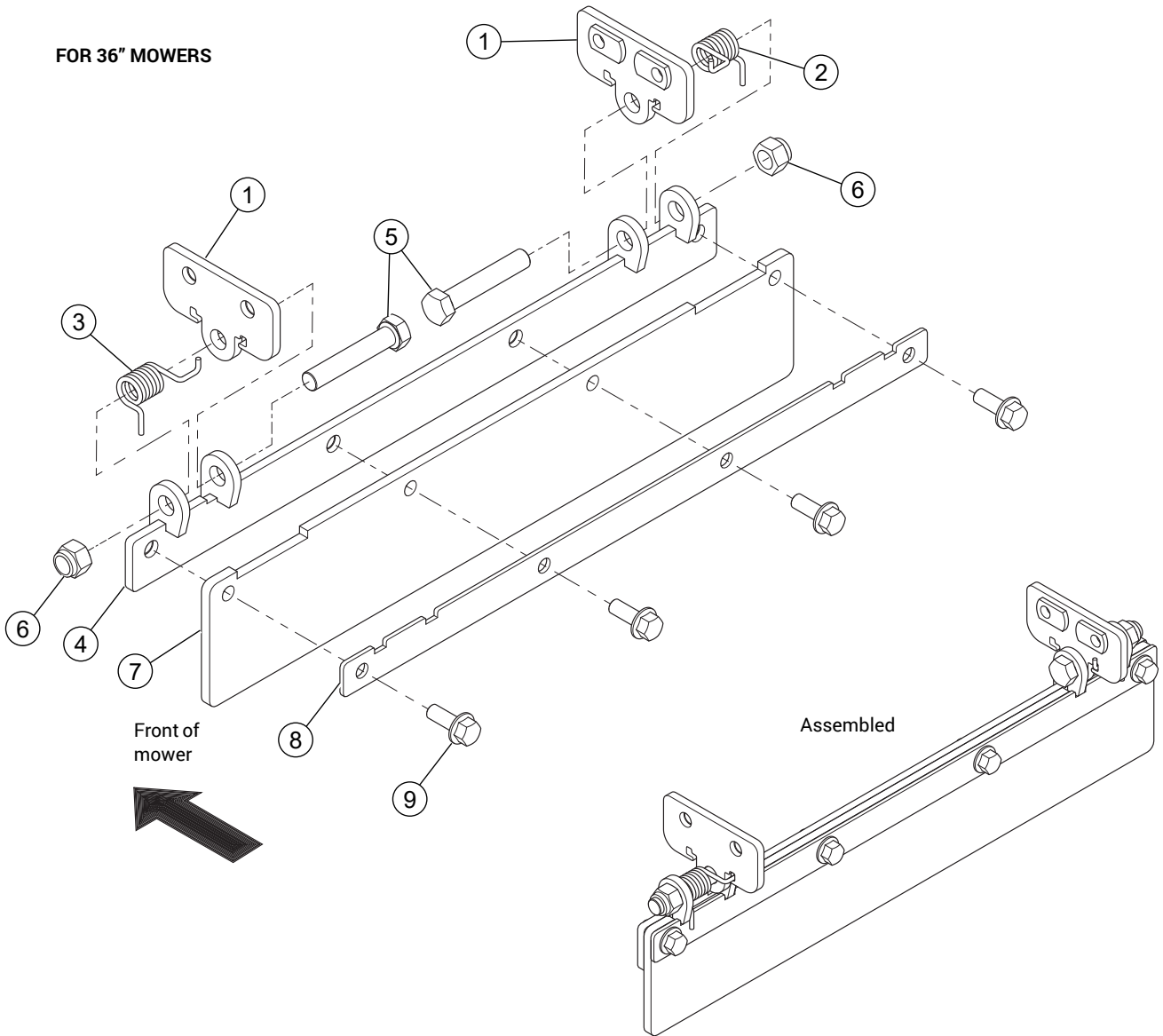


FIG. 1

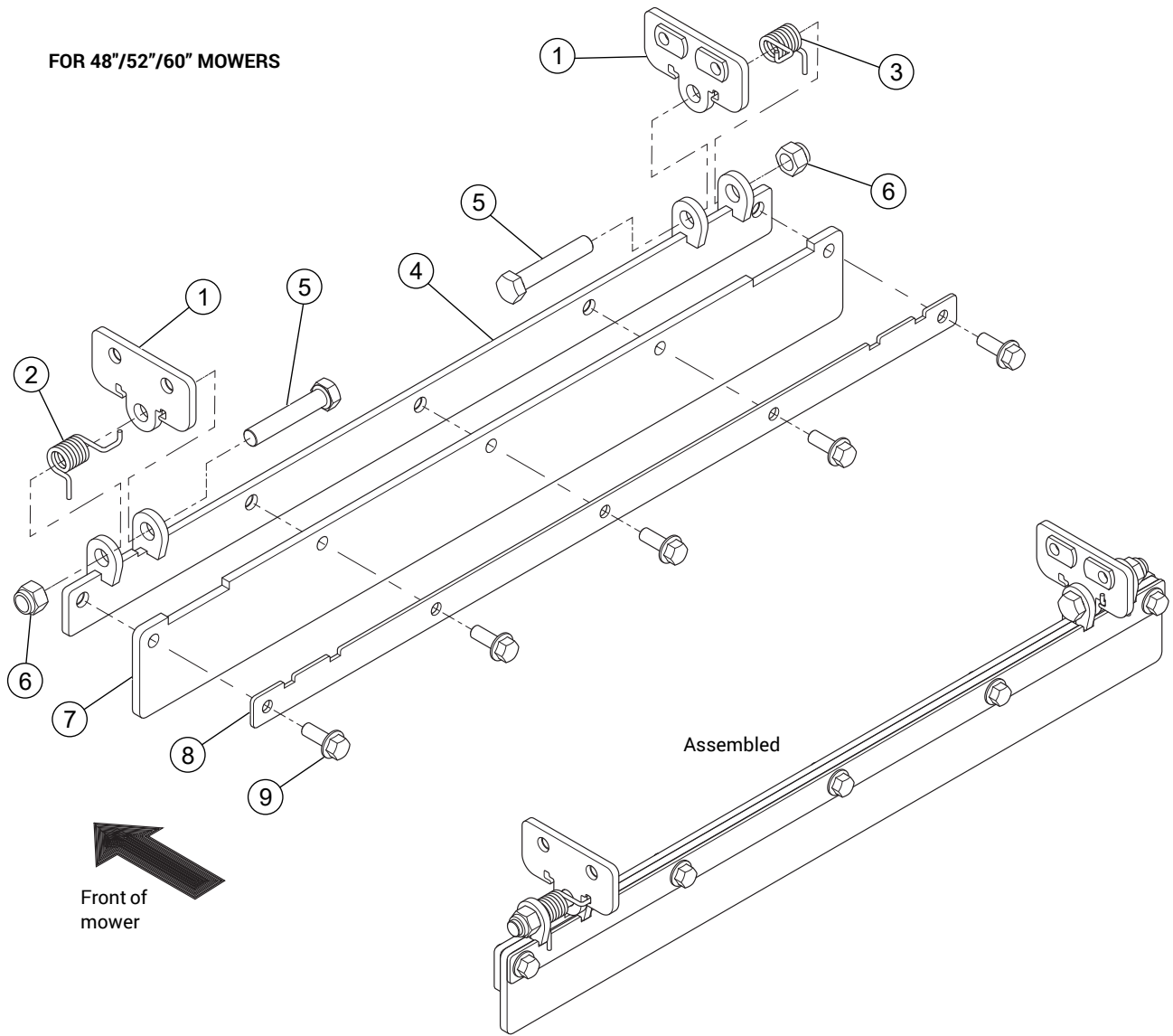
FOR 36" MOWERS



INDEX NO.	PART NO.	DESCRIPTION	QTY.
1	122707	STRIPE PIVOT EAR	2
2	606325	RS TORSION SPRING	1
3	606383	LS TORSION SPRING	1
4	127068-3	STRIPE PIVOT, 36"	1
5	721910	CS .500-13 X 2.75 HX G5 Z	2
6	781567	NT .500-13 NL G5	2
7	608284	RUBBER FLAP, 36"	1
8	127072-3	BACKING PLATE, 36"	1
9	029751	CS .375-16 X 1.00 HX FLK	4

FIG. 2

FOR 48"/52"/60" MOWERS



INDEX NO.	PART NO.	DESCRIPTION	QTY.
1	122707	STRIPE PIVOT EAR	2
2	606325	RS TORSION SPRING	1
3	606383	LS TORSION SPRING	1
4	127069-3	STRIPE PIVOT, 48-60"	1
5	721910	CS .500-13 X 2.75 HX G5 Z	2
6	781567	NT .500-13 NL G5	2
7	608285	RUBBER FLAP, 48-60"	1
8	127073-3	BACKING PLATE, 48-60"	1
9	029751	CS .375-16 X 1.00 HX FLK	5

FIG. 3