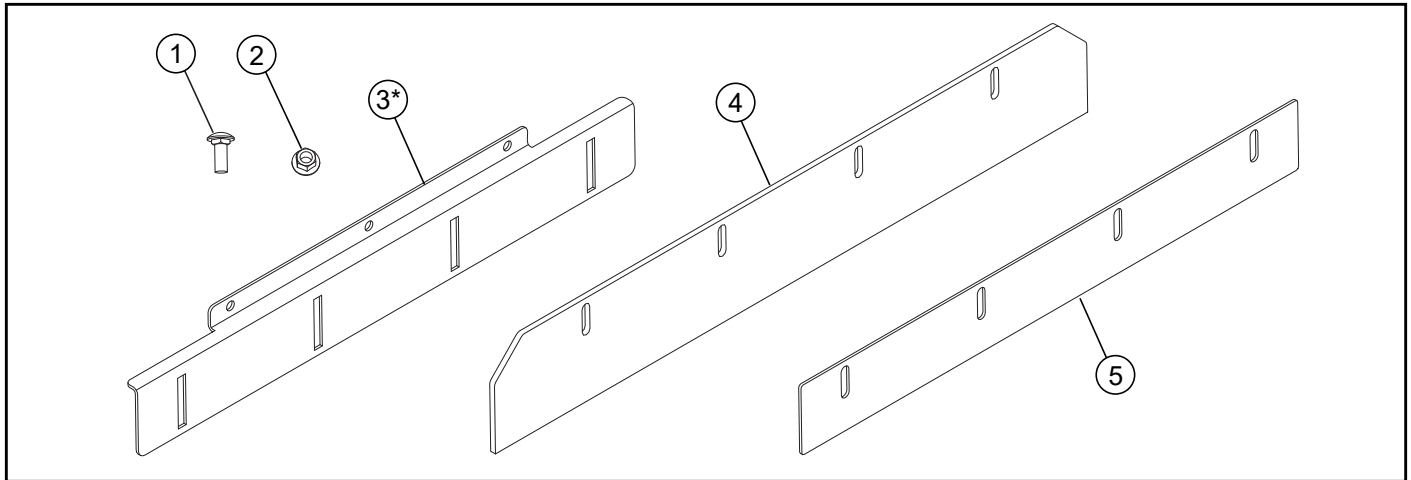


Packing List

Listed below are parts included in this kit. If any parts are missing or damaged, please contact Excel Parts Department. Retain these instructions for replacement parts.



INDEX NO.	PART NO.	DESCRIPTION	QTY
1	025395	CB .375-16 X 1.00 G5 ZN	7
2	604515	NT .375-16 FL NY GF	7
3	126825-3	MOUNT PLATE * The mount plate is not used on Raptor® XD/XDX 60" decks.	1
4	126827	RUBBER FLAP	1
5	126826-3	CLAMP PLATE	1



WARNING



Mower blades are sharp and can cut. Wrap the blades or wear gloves and use caution when working around them.

1. Park the mower on a solid, level surface; set the park brakes; shut-off the engine; and remove the ignition key. Disconnect the negative battery cable.
2. Assemble the stripe kit. Fig. 1
NOTE: Make sure the top edge of the mounting plate, rubber flap, and clamp plate are aligned.
NOTE: This step is not necessary for Raptor® XD/XDX 60" Decks.
3. Attach the stripe kit to the deck as shown in Fig. 2 or Fig. 3.
4. Set the deck at the desired cutting height.
 The stripe kit can be adjusted to a variety of grass conditions, cut heights, and preferences. Positioning the rubber flap closer to the ground will produce a more defined stripe but may tend to tear weaker turf. Moving the clamp plate higher relative to the rubber flap allows the rubber to be more flexible and accommodating to fragile grasses and uneven ground. Moving the clamp plate lower relative to the rubber flap maintains more pressure against the grass. Setting the rubber flap 1" above the ground with the deck set at your normal cutting height is a good starting point. Adjust until the desired striping is achieved.
Raptor® XD/XDX 60" Decks – There are two sets of mounting holes on this deck. When the rubber flap and clamp plate are mounted in the top set of holes, the bottom of the rubber flap is 1.35" to 2.35" below the blades. When the rubber flap and clamp plate are mounted in the lower set of holes, the bottom of the rubber flap is 3.25" to 4.25" below the blades. Fig. 3

5. Re-connect the negative battery cable.

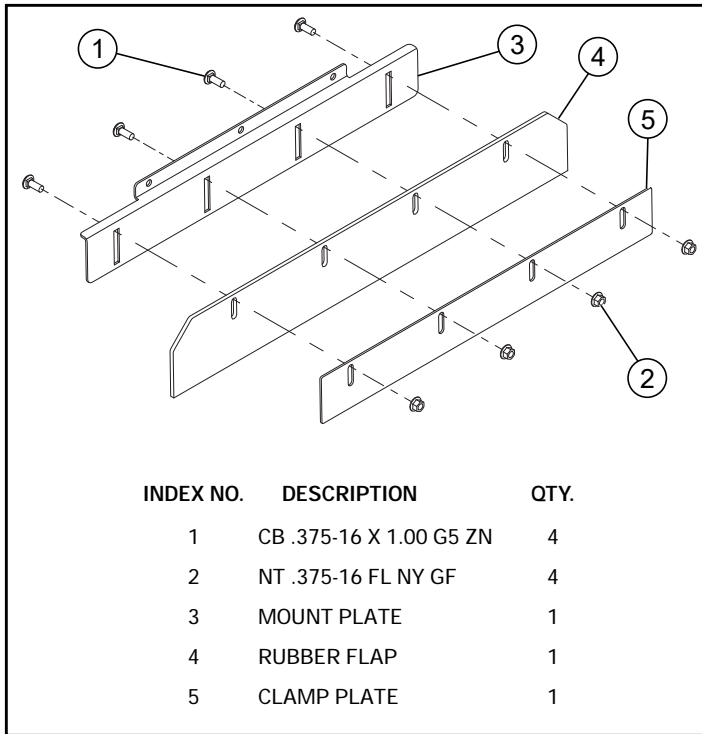


FIG. 1

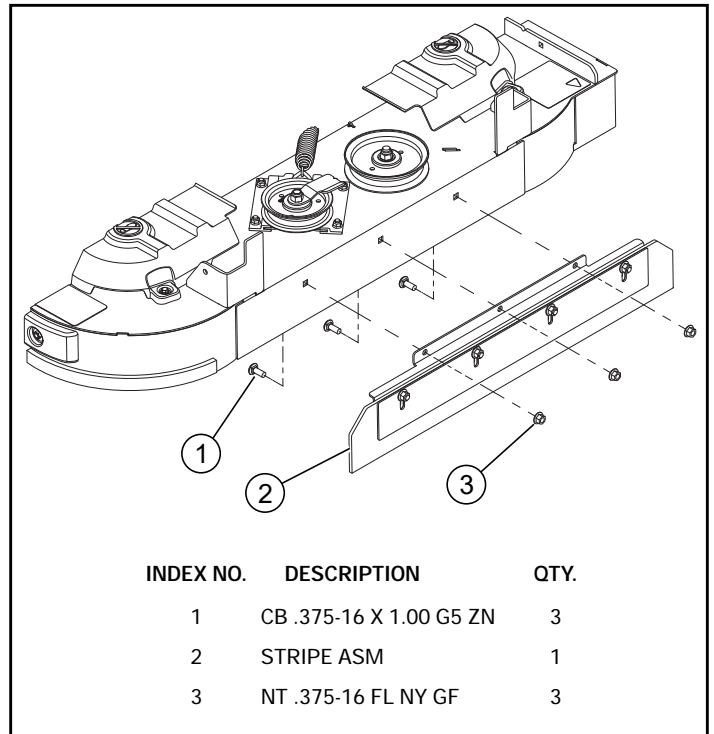


FIG. 2

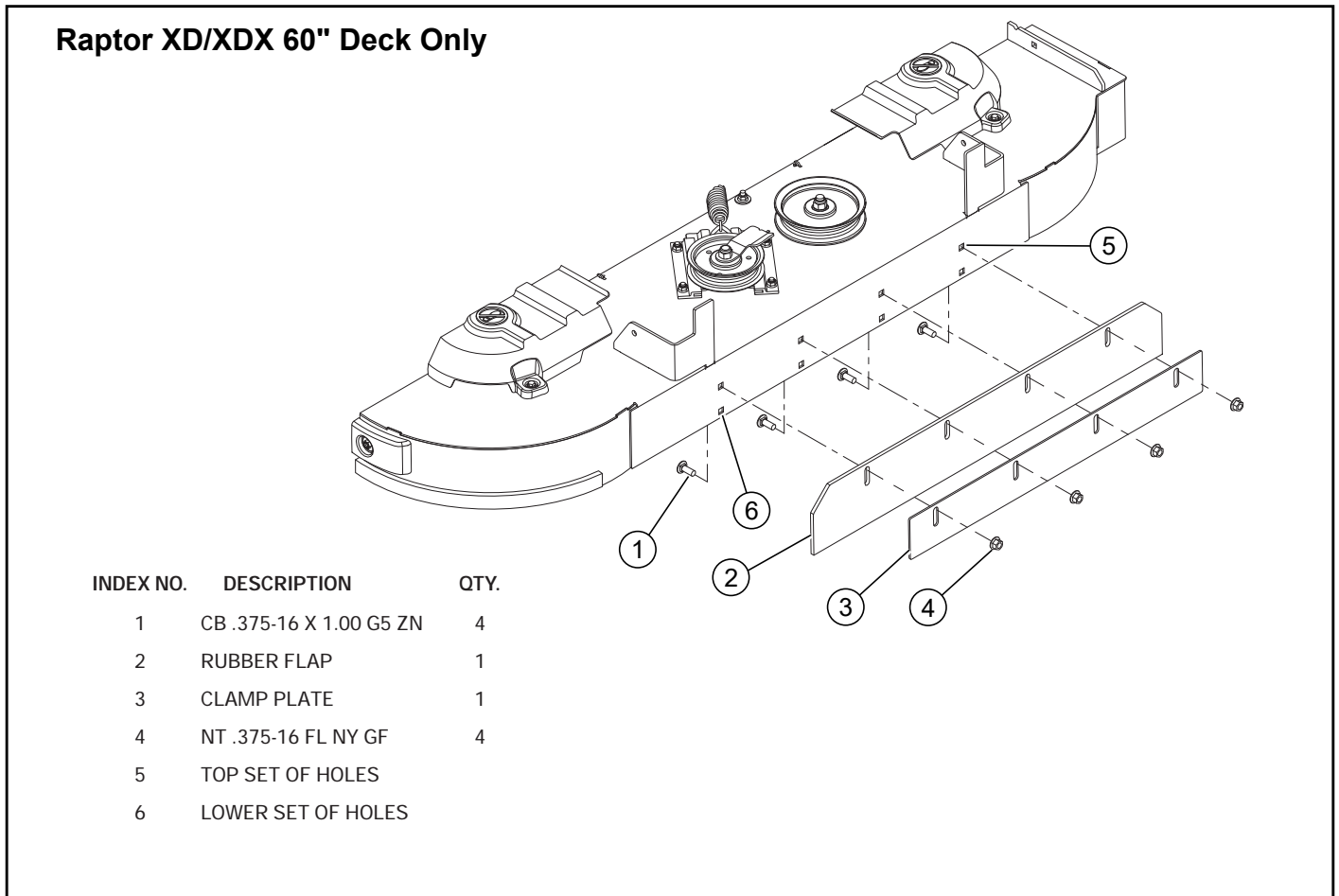


FIG. 3