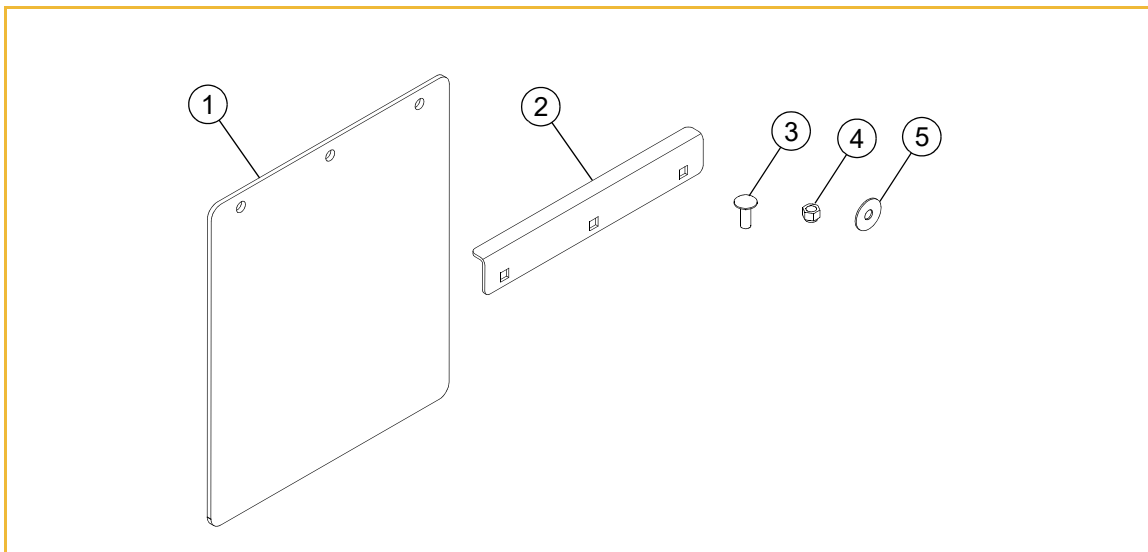


# MUD FLAP KIT

**PART NUMBER:** 126012

## PACKING LIST:

Listed below are parts included in this kit. If any parts are missing or damaged, please contact the Hustler® Parts Department. Retain these instructions for replacement parts.



INDEX NO.	PART NO.	DESCRIPTION	QTY
1	125707	FLAP, WHEEL	2
2	125708-3	ANGLE, WHEEL FLAP	2
3	025395	CB .375-16 x 1.000 G5	6
4	086660	NT .375-16 NL G8	6
5	705137	FW 0.391 x 1.250 x 0.060	6

## ASSEMBLY:

1. Park the mower on a solid, level surface; disengage the deck clutch; place the steering control levers in the neutral position; engage the park brake; shut off the engine; and remove the ignition key. Disconnect the negative battery cable.
  2. Attach the mud flap to the mower frame mounting bracket. Repeat for the other side.
- FIG. 1

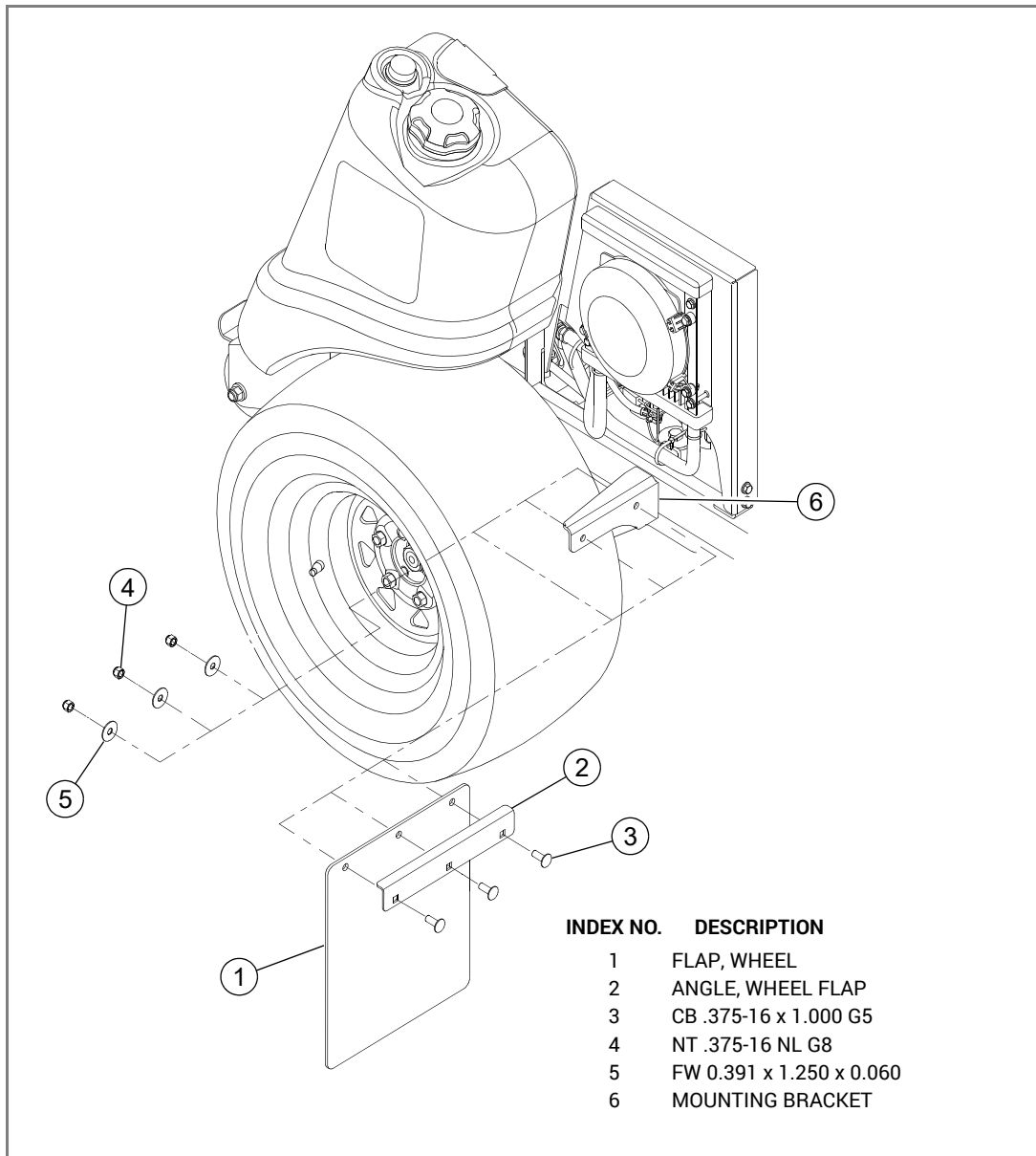


FIG. 1