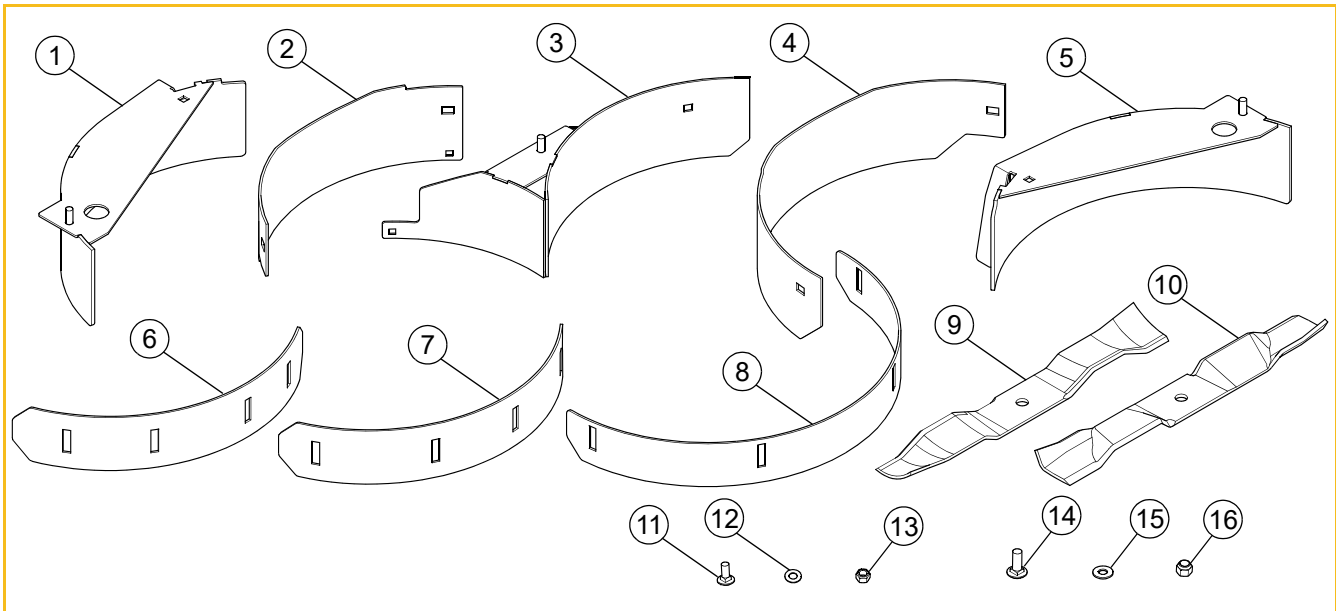


MULCH KIT

PART NUMBER: 125705

PACKING LIST:

Listed below are parts included in this kit. If any parts are missing or damaged, please contact the Hustler® Parts Department. Retain these instructions for replacement parts.



INDEX NO.	PART NO.	DESCRIPTION	QTY.	INDEX NO.	PART NO.	DESCRIPTION	QTY.
1	125716-1	MULCH BAFFLE, RS WING	1	9	797704	BLADE, 18.50" MUL-F-CW	3
2	125720-1	MULCH BAFFLE, RS, CENTER	1	10	607618	BLADE, 18.50" MUL-F-CCW	2
3	125709-1	MULCH BAFFLE, CTR	1	11	016253	CB .312-18 X .750 FUL ZN	1
4	125719-1	MULCH BAFFLE, LS, CENTER	1	12	604252	FW .340 X .675 X .035 ZN	1
5	125713-1	MULCH BAFFLE, LS WING	1	13	058776	NT .312-18 NL G5	1
6	125670-1	WRAPPER EXT, WING	2	14	025395	CB .375-16 X 1.00 G5 ZNY	27
7	125671-1	SIDE WRAPPER EXT, CENTER	2	15	767954	FW .379 X .813 X .063	30
8	125672-1	WRAPPER EXT, CENTER	1	16	086660	NT .375-16 G8 NL	30



WARNING



Use only appropriate vehicle stands, with a minimum weight rating of 2000 pounds to block the unit up. Use in pairs only. Follow the instructions supplied with the vehicle stands.

ASSEMBLY:

1. Park the mower on a solid, level surface and set the park brakes.
2. Raise and lock the side decks in the transport position.
3. Raise and lock the main deck in the transport position.
4. Shut off the engine and remove the ignition key. Disconnect the negative battery cable.
5. Raise the front of the mower to allow access to the underneath side of the deck. Place the mower securely on jack stands. Chock the rear drive wheels to prevent the mower from moving.



WARNING



Exercise caution when working under the deck as the mower blades are extremely sharp. Wrap the blade(s) or wear gloves when handling the blades

6. Remove the existing blades. Keep the hardware. Keep the blades to use if the mulch kit is removed from the decks. FIG. 1
7. Remove the spreader triangles. Keep the spreader triangles and hardware to install if the mulch kit is removed from the decks. FIG. 1

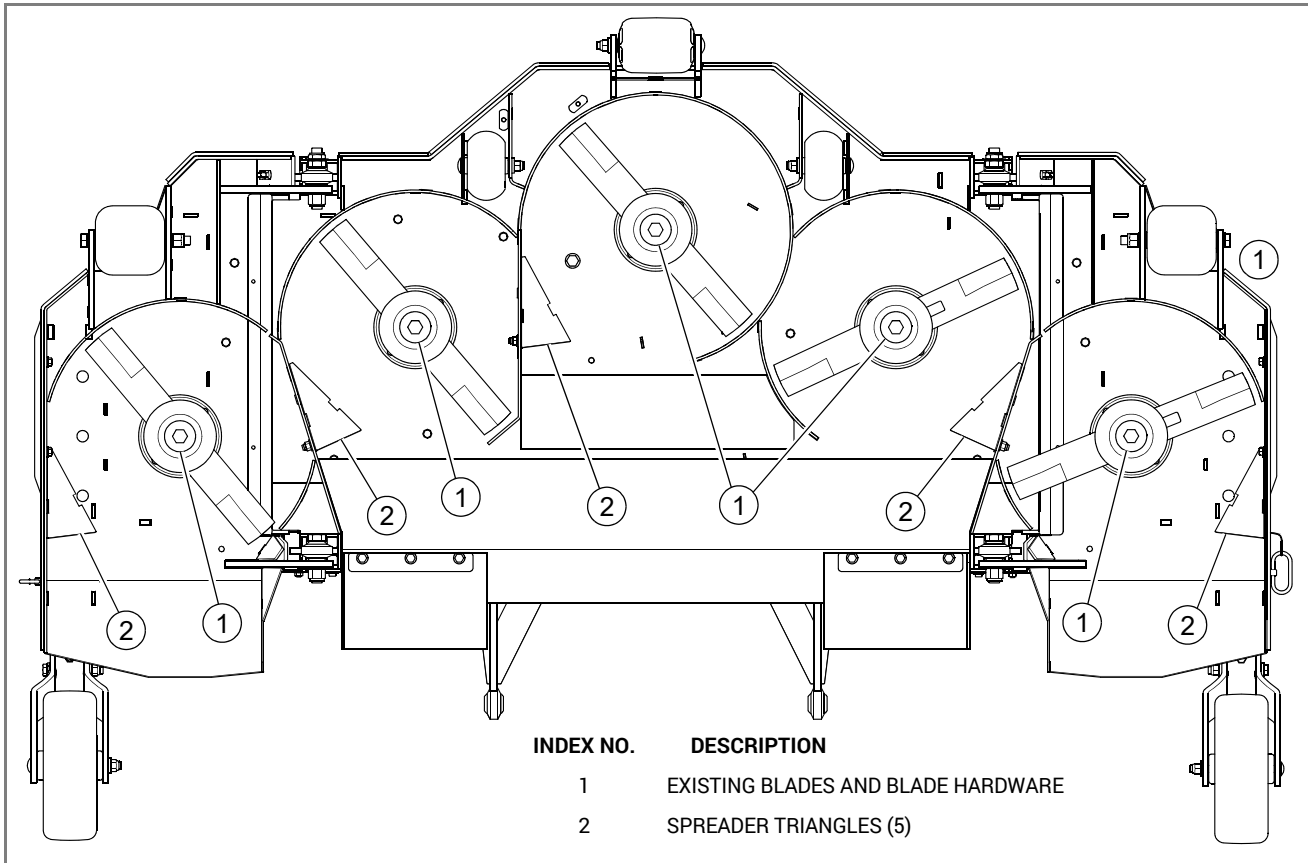


FIG. 1

8. Install the wrapper extensions with the provided hardware as shown. Set the wrapper extensions to the lowest setting before tightening the hardware. Leave the wrapper extensions in the lowest position when using the mulch kit. FIG. 2

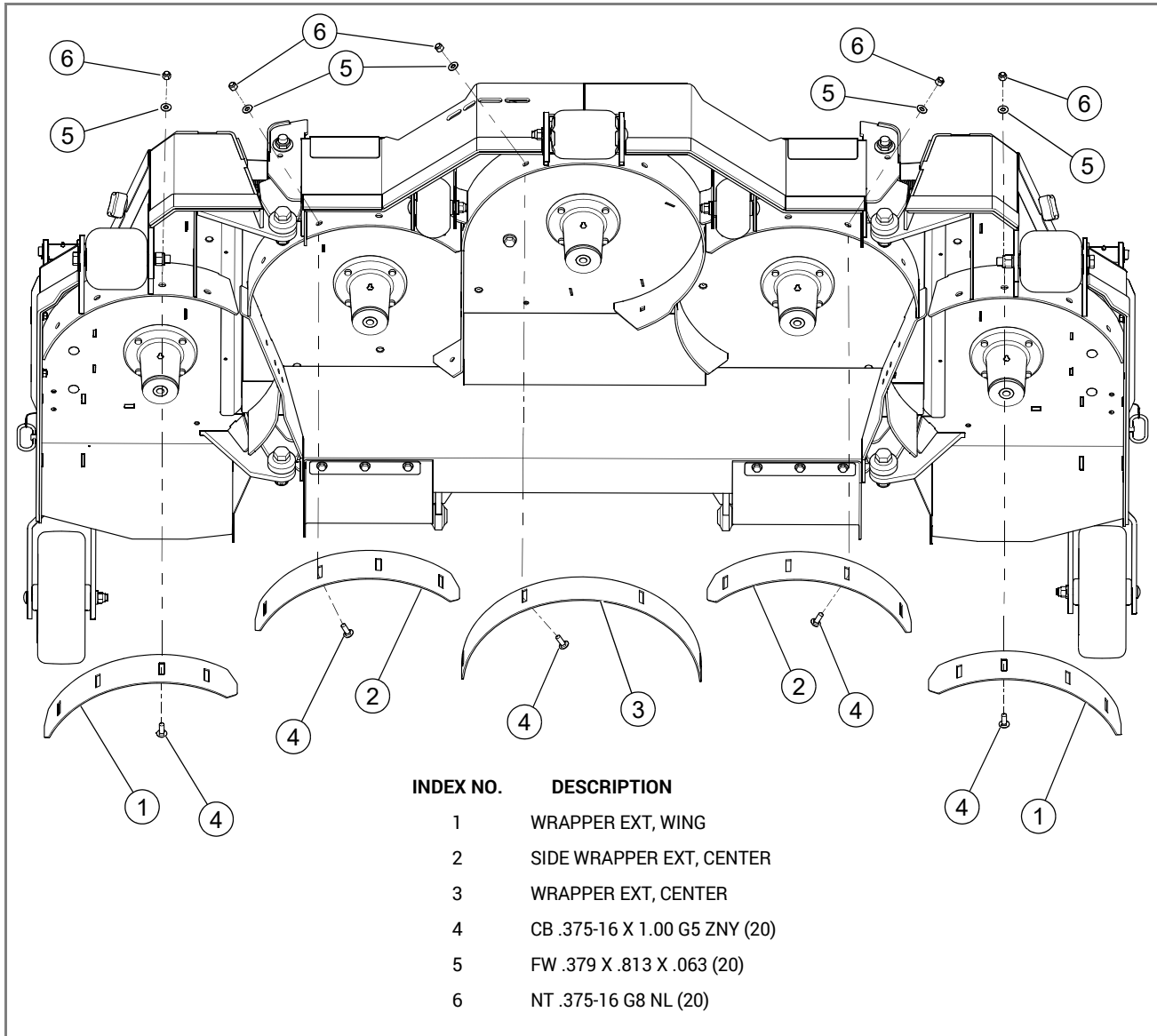


FIG. 2

9. Install the mulch baffles with the provided hardware as shown. FIG. 3, FIG. 4, & FIG. 5

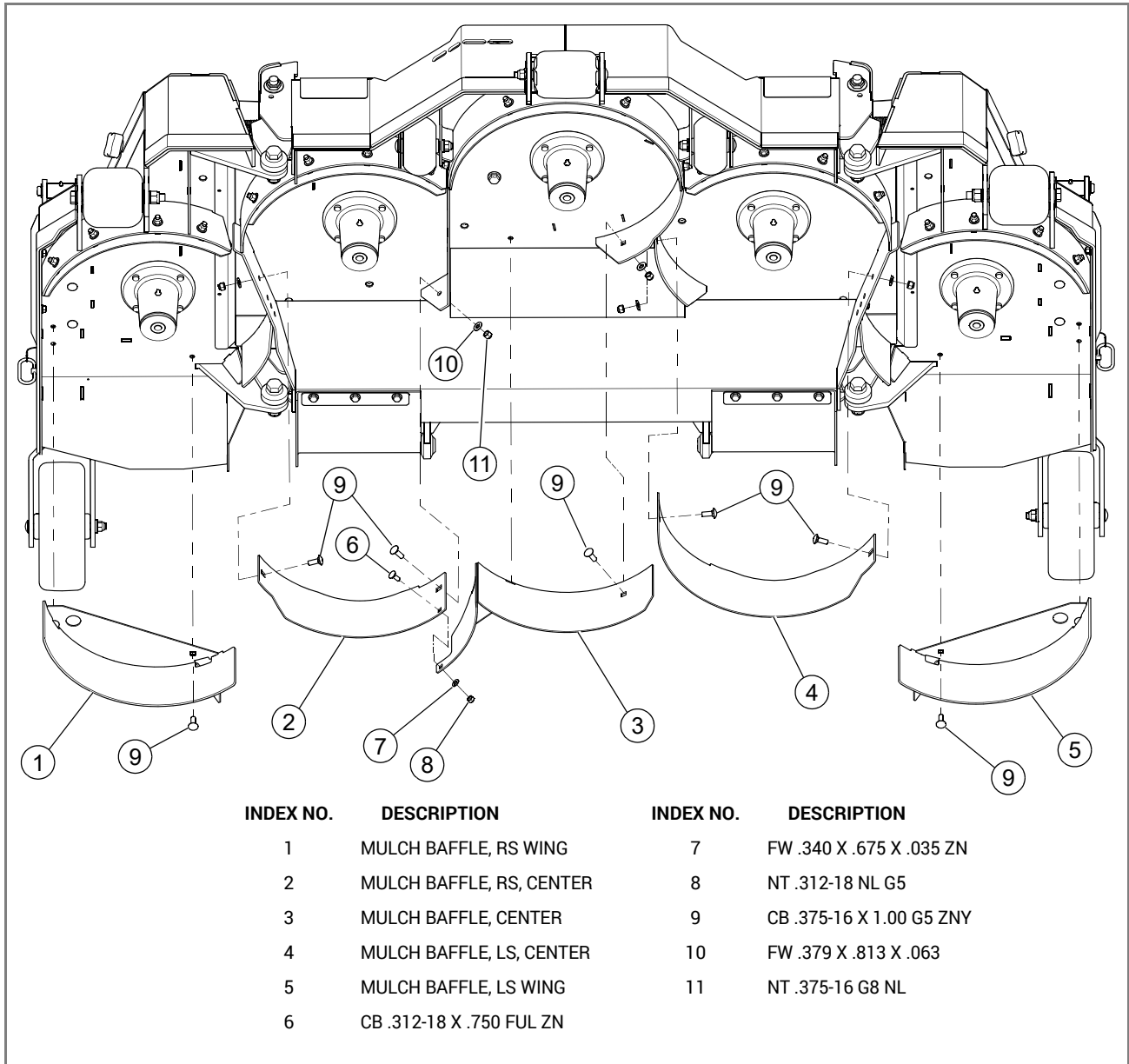


FIG. 3

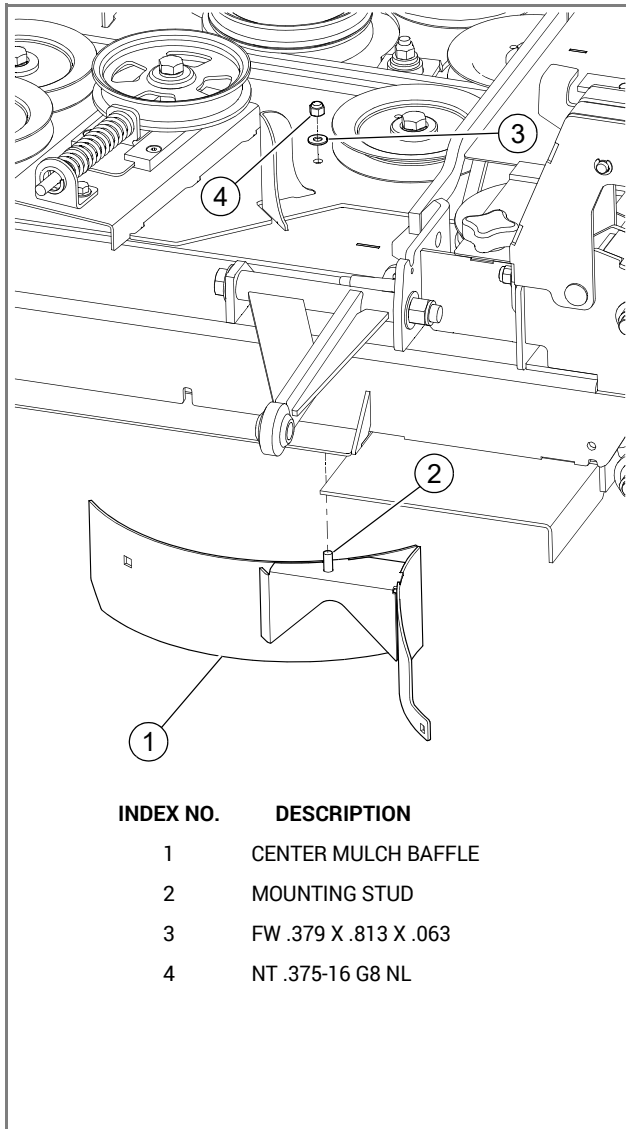


FIG. 4

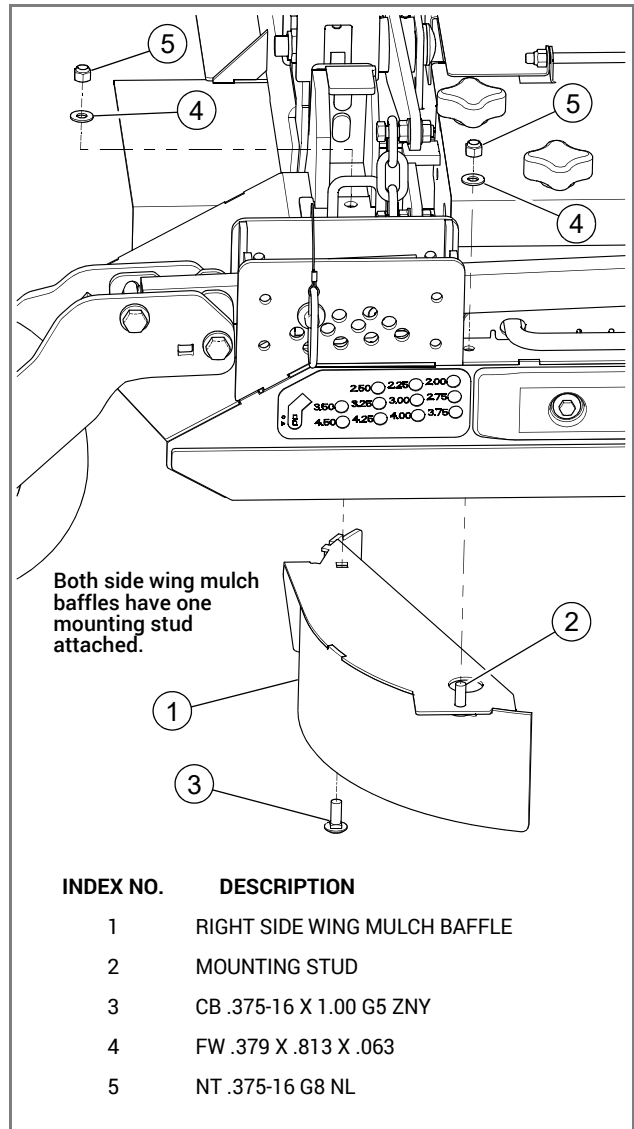


FIG. 5

10. Install the mulching blades on the spindles using the existing blade hardware. Torque the bolts to 118 ft-lbs (160 N•m). FIG. 6

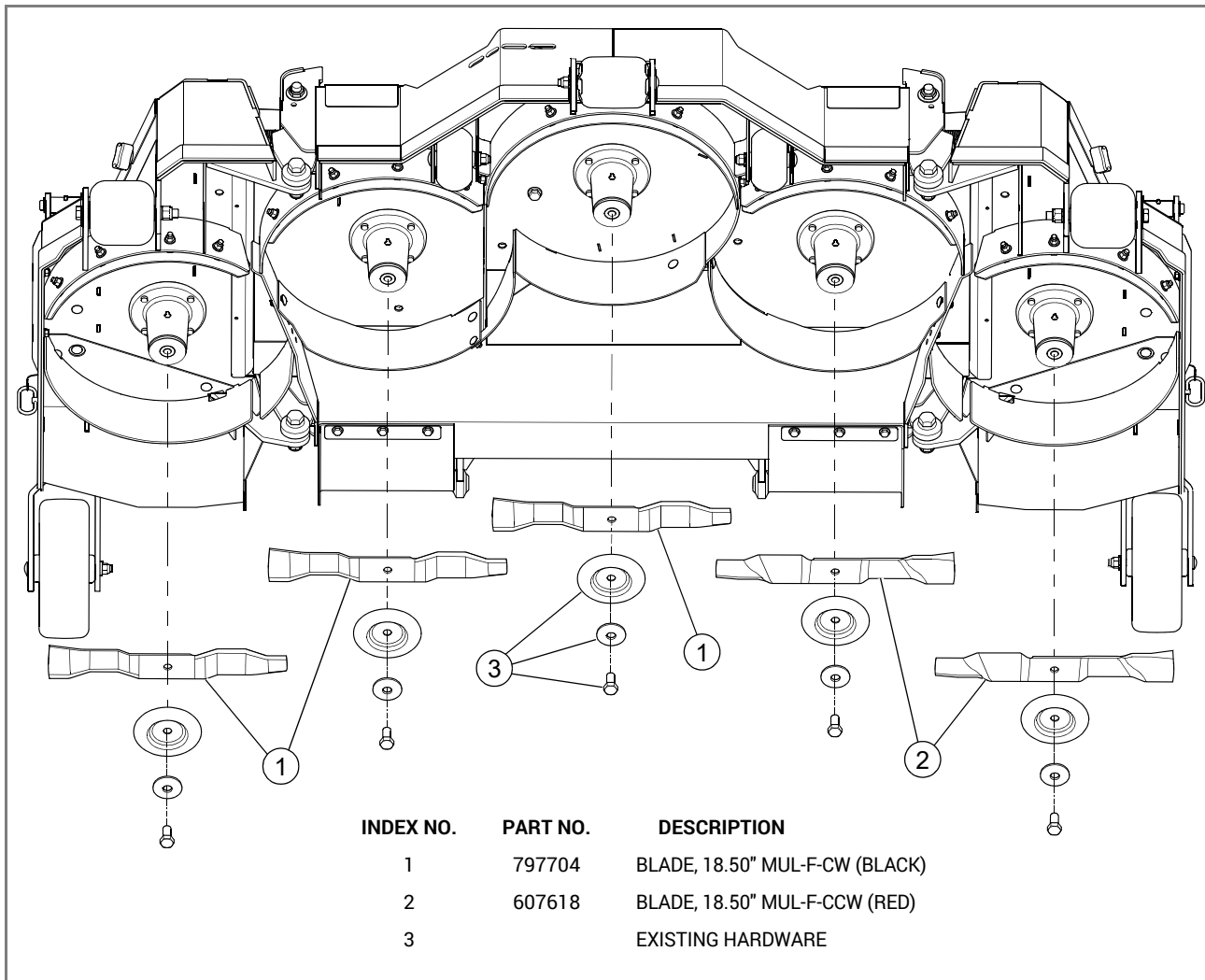


FIG. 6



Failure to correctly torque the bolt may result in the loss of the blade which can cause serious injury.

11. Remove the jack stands, lower the mower, reconnect the negative battery cable, and continue operation.

MULCH TIPS

Mulching grass and leaves into your lawn can be very beneficial. However, mulching can also result in possible negative consequences if not done carefully and correctly. Listed below are some helpful mulching guidelines to help keep your lawn looking healthy.

Cut off 1" or less of grass at a time. Doing this will make it necessary to mow more frequently when using a mulch kit. Cutting off too much grass at one time can overload the deck and the engine. This can result in poor cut quality and clumps of debris being deposited on top of the grass. Debris that is left on top of the grass can smother the grass, and it may not break down prior to the next mowing.

<1"

If the grass is too tall, raise the cutting height of the deck to mulch off 1" of grass. When finished, drop the deck another 1" and mow again. Repeat this process if necessary. Sometimes there may be more grass or debris than can reasonably be mulched. In this situation, either collect the debris with a catching system or remove the mulch kit and mow in side or rear discharge mode. Upon completion of this task, manually collect the debris.



Slow down. It will be necessary to operate the mower at a slower ground speed than when operating without the mulch kit. Mulching re-cuts grass and leaves multiple times. This consumes more power. Mowing slower gives the blades more time to reduce the clipping size. This allows the clippings to fall out between the tip of the blades and inside of the housing.



Try not to mow wet grass. The mower will have difficulty processing wet grass without the grass clumping. Wet grass will also collect on the underneath side of the deck. This will make it necessary to frequently clean the underneath side of the deck in order for it to operate properly.

Mulching heavily weeded areas can have the same effect as mulching wet grass. Weeds will often have a high moisture content and can be very sticky.



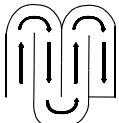
Set the throttle at full rpm for maximum performance. The blade tip speed is important. If the engine speed begins to drop, slow down the mowing ground speed until the engine can speed up.



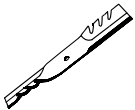
Do not mulch too low. Mulching at a low cutting height reduces the space available to accept the clippings. This results in more visible debris. Mowing low also allows valuable soil moisture to escape.



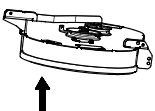
Avoid mulching when weeds are seeding out. Mulching provides a good seedbed for weeds to germinate. If you have many weed seeds, consider collecting the grass instead of mulching.



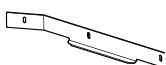
Be conscious of your mowing pattern. Shutting off the deck at the end of a pass, or backing up, can result in grass being dropped in front of the blades. It is important to plan your mowing pattern so that any dropped debris can be picked up.



Use appropriate blades for leaf mulching. If the grass is dry, the height of the cut can be lowered to prevent leaves from blowing away from the front of the deck. In some conditions, Gator™ style mulching blades are effective at breaking leaves into smaller pieces. Gator™ mulching blades are available from your dealer.



Adjust the pitch of the deck. Adjusting the pitch of the deck may result in improved mulching performance. Setting the deck level, or with the rear of the deck slightly lower than the front, can keep material in the deck longer. This will result in finer clippings. Conversely, if the rear of the deck is higher than the front, it may allow faster mowing, but larger clippings.



Lower the baffles. When mulching with a rear discharge deck that is fitted with adjustable front baffles, lower the baffles to the lowest setting to prevent debris from being blown out of the front of the deck.