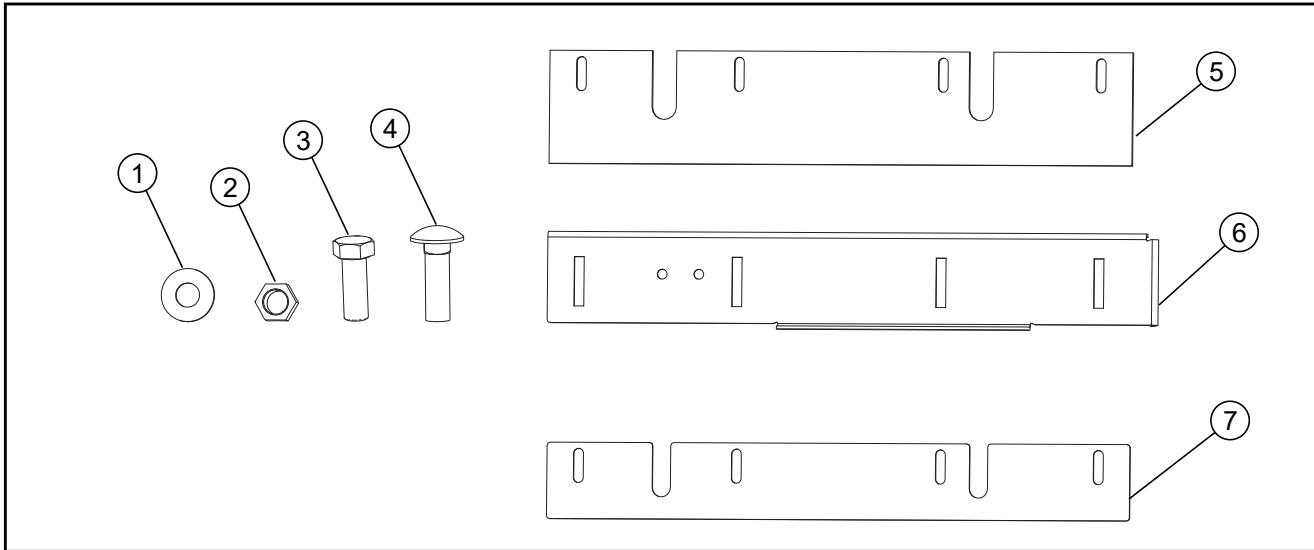


Packing List

Listed below are parts included in this kit. If any parts are missing or damaged, please contact Excel Parts Department. Retain these instructions for replacement parts.



INDEX NO.	PART NO.	DESCRIPTION	QTY
1	767954	FW 0.379 x 0.813 x 0.063	8
2	086660	NT .375-16NLG8	6
3	036244	CS .375-16X1.000HXG5	2
4	603113	CB .375-16X1.250 G5 ZNC	4
5	125086	RUBBER FLAP	1
6	125085-3	MOUNT PLATE	1
7	125087-3	CLAMP PLATE	1



WARNING



Use only appropriate vehicle stands, with a minimum weight rating of 2000 pounds to block the unit up. Use in pairs only. Follow the instructions supplied with the vehicle stands.

Assembly

1. Park the mower on a solid, level surface; set the park brakes; shut-off the engine; and remove the ignition key. (Disconnect the negative battery cable.)
2. Place the mower securely on jack stands and do not allow the mower to move.
3. Locate the pilot hole on the right rear wrapper. Drill the pilot hole out to .406". FIG. 1

NOTE: If no pilot hole exists, attach the mount plate to the hole in the left rear hanger. Align flush with the top of the deck plate, and mark the location of the hole. Drill the mark out to .406".

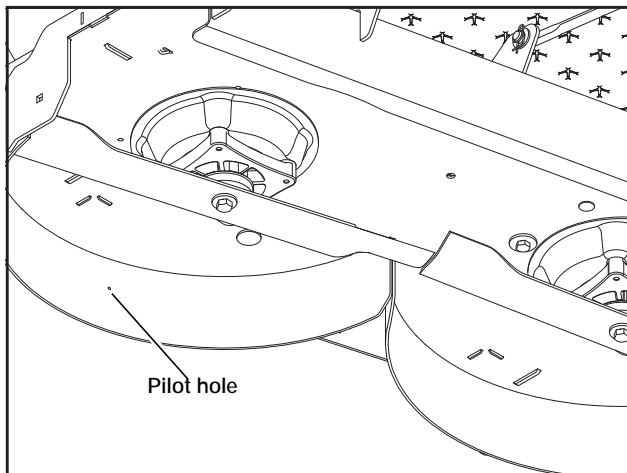


FIG. 1

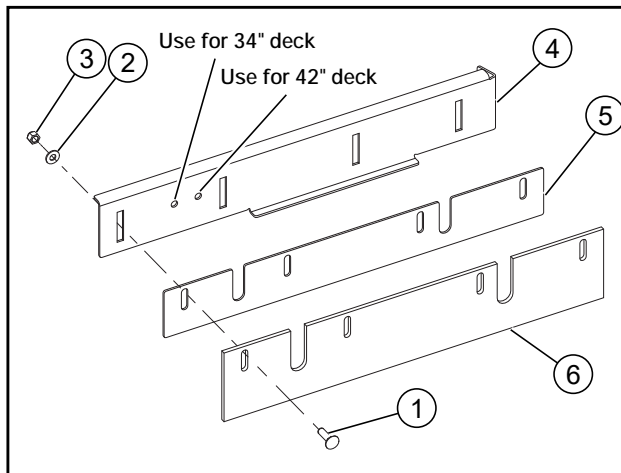


FIG. 2

INDEX NO.	DESCRIPTION
1	CB .375-16X1.250 G5 ZNC
2	FW 0.379 x 0.813 x 0.063
3	NT .375-16NLG8
4	MOUNT PLATE
5	CLAMP PLATE
6	RUBBER FLAP

4. Line up the rubber flap and the clamp plate with the correct clearance hole in the rear mount plate. FIG. 2
IMPORTANT: Use the first hole for mowers with a 34" deck. Use the second hole for mowers with a 42" deck.
5. Attach the mount plate, rubber flap, and the clamp plate together using the hardware shown. FIG. 2
6. Attach the stripe kit to the deck using the hole in the left rear hanger, and the hole drilled out in the right rear wrapper. FIG. 3 & FIG. 4

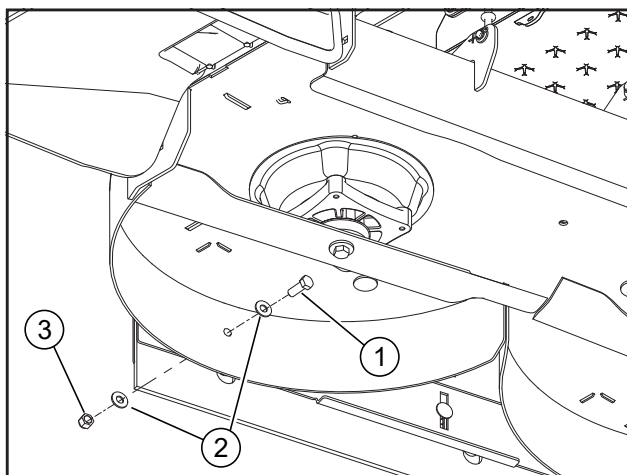


FIG. 3

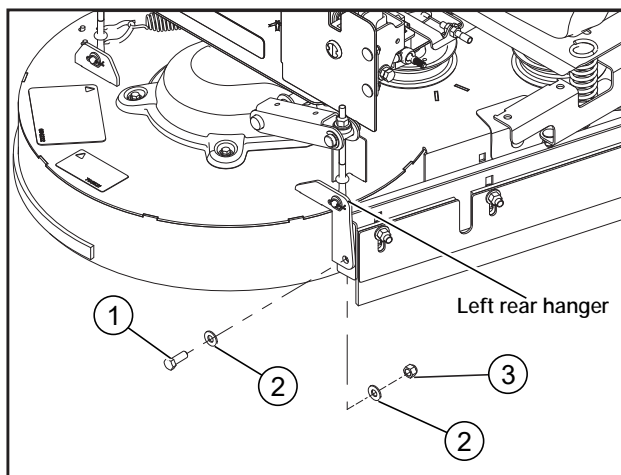


FIG. 4

INDEX NO.	DESCRIPTION
1	CS .375-16X1.000HXG5
2	FW 0.379 x 0.813 x 0.063
3	NT .375-16NLG8

7. Adjust the rubber flap and clamp plate to the desired height and tighten the hardware.
8. Lower the mower
9. Connect the negative battery cable. The mower is now ready to operate.