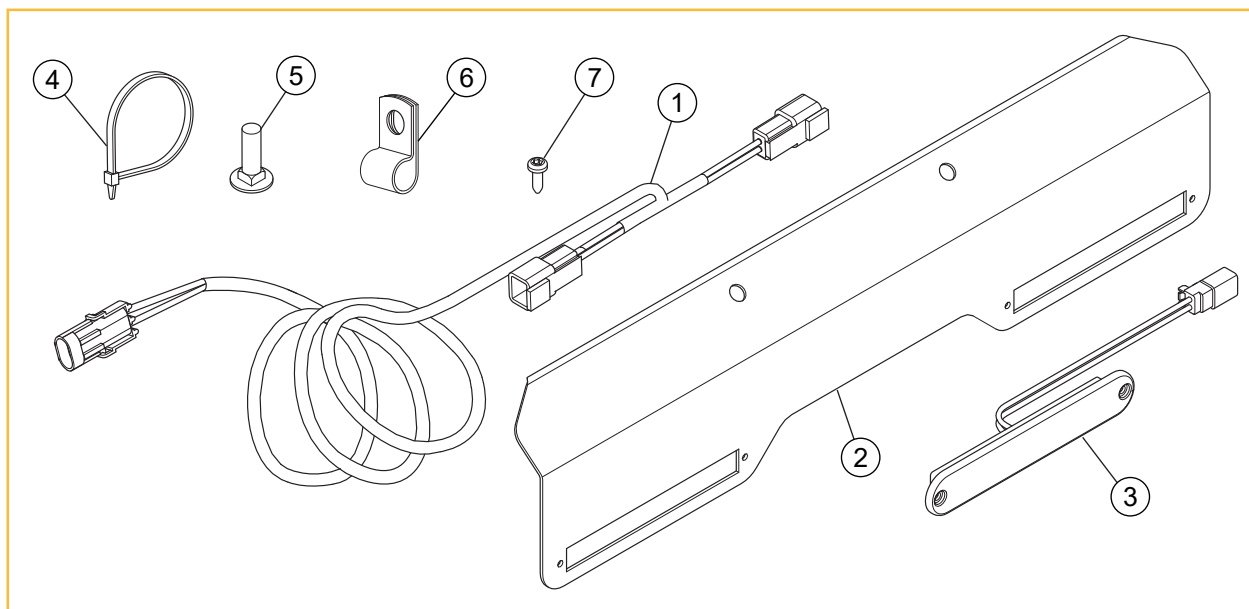


LIGHT KIT

PART NUMBER: 124643

PACKING LIST:

Listed below are parts included in this kit. If any parts are missing or damaged, please contact the Hustler® Parts Department. Retain these instructions for replacement parts.



INDEX NO.	PART NO.	DESCRIPTION	QTY
1	605660	LIGHT HARNESS	1
2	124645-1	LIGHT BRACKET	1
3	605003	LIGHT	2
4	000331	WIRE TIE, SMALL/SHORT	8
5	037887	CB .312-18X 1.000 FUL YZ	4
6	000398	CLAMP	4
7	605225	CS 8-32 X .500 PH TRX	4



Use extreme caution if it becomes necessary to operate the unit, transporting or mowing, after dark or in low light situations. Only operate in open areas where there are no overhead obstructions; i.e. guide wires, tree branches, low overhangs, etc. Operate only in areas where the operator is thoroughly familiar with the terrain and any potential hazards. The lights are designed to illuminate forward and down and will not illuminate to the side or upward.

ASSEMBLY:

1. Park the mower on a solid, level surface; set the park brakes; shut-off the engine; and remove the ignition key. Disconnect the negative battery cable.
2. Insert the lights into the light bracket. FIG. 1
3. Remove hardware from the footrest and place the light bracket between the footrest and the footrest mount bracket as shown. FIG. 1

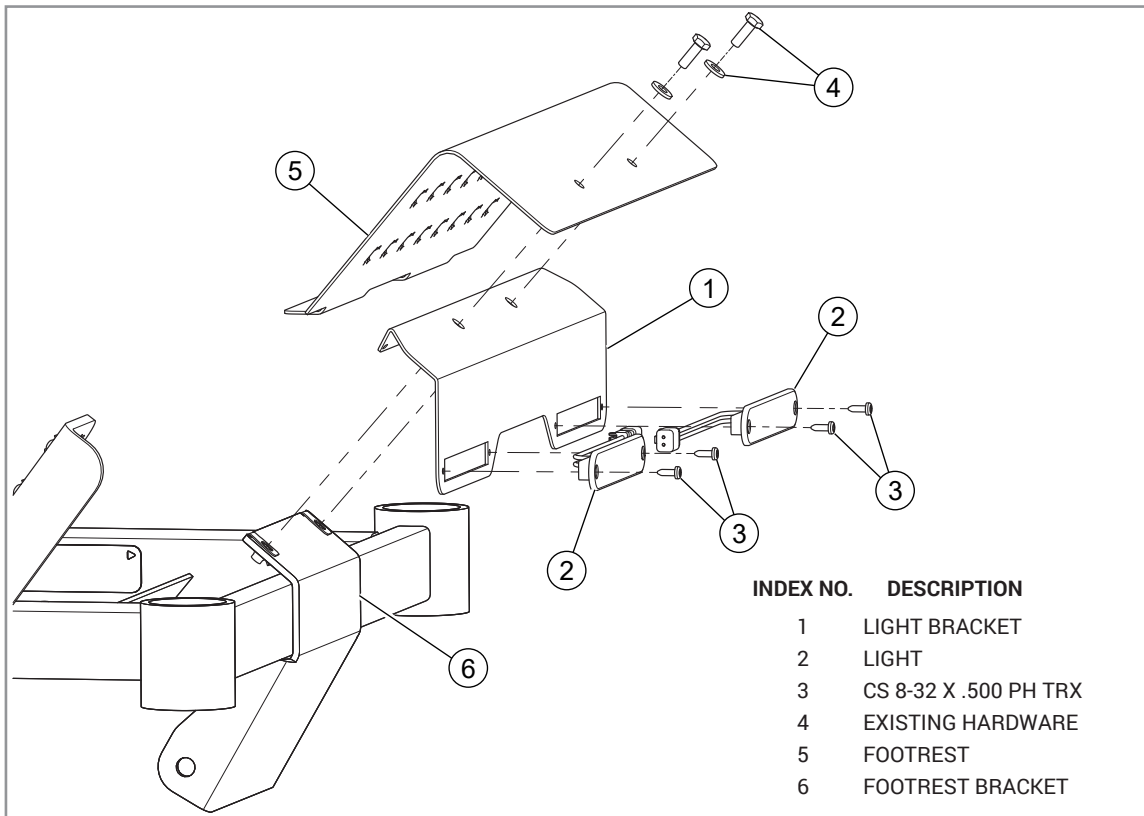


FIG. 1

4. Attach the light harness to both lights. FIG. 2
5. Route the light harness along the inside front of the mower frame. FIG. 2

6. Secure the light harness with the wire ties. Do not tighten at this time. FIG. 2

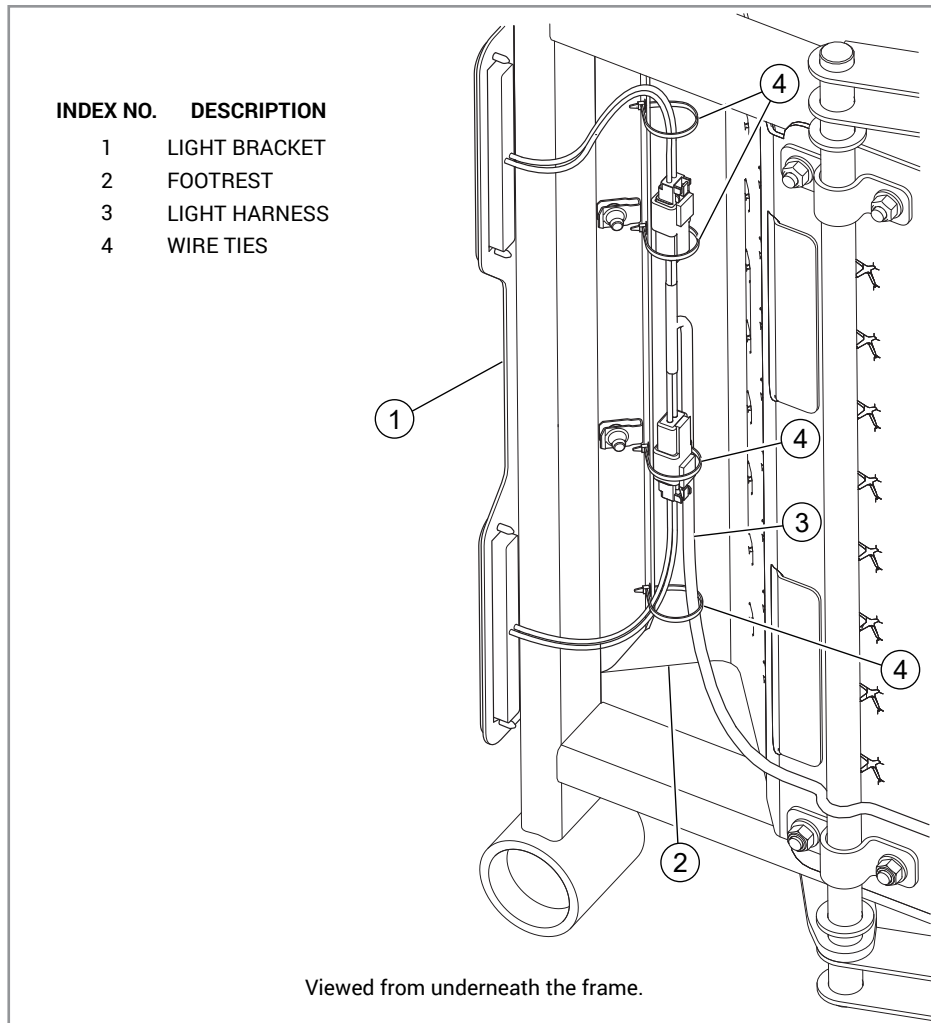


FIG. 2

7. Remove the hardware on the deck lift straps one at a time, on the right side of the mower frame. Replace the carriage bolt with the hardware provided.
8. Route the light harness through the clamp and attach the clamp to the deck lift strap with the hardware provided. Repeat for the remaining clamps. Do not tighten the hardware. FIG. 3

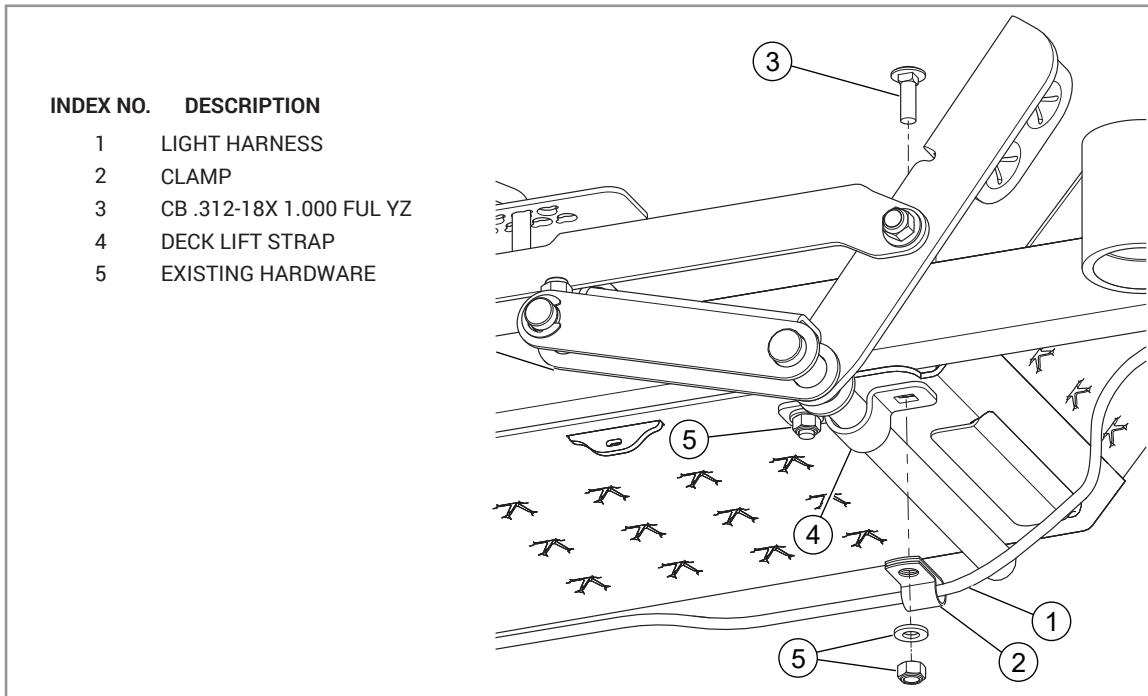


FIG. 3

9. Route the light harness along the bottom of the right side of the mower frame as shown. FIG. 4
10. Attach the light harness to the deck lift bracket with wire ties. Do not tighten at this time. FIG. 4

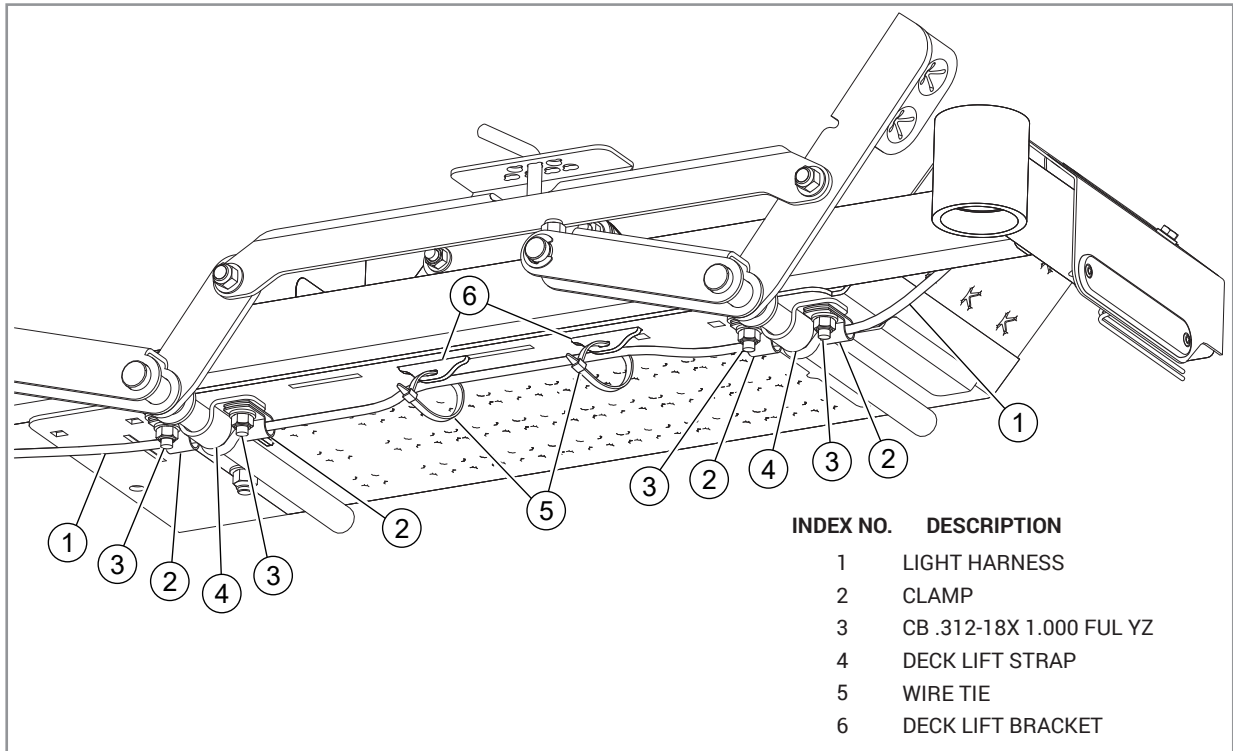


FIG. 4

11. Rotate the mower seat forward and route the light harness along the main wire harness. FIG. 5
12. Attach the light harness to the mower wire harness with wire ties. Do not tighten at this time. FIG. 5

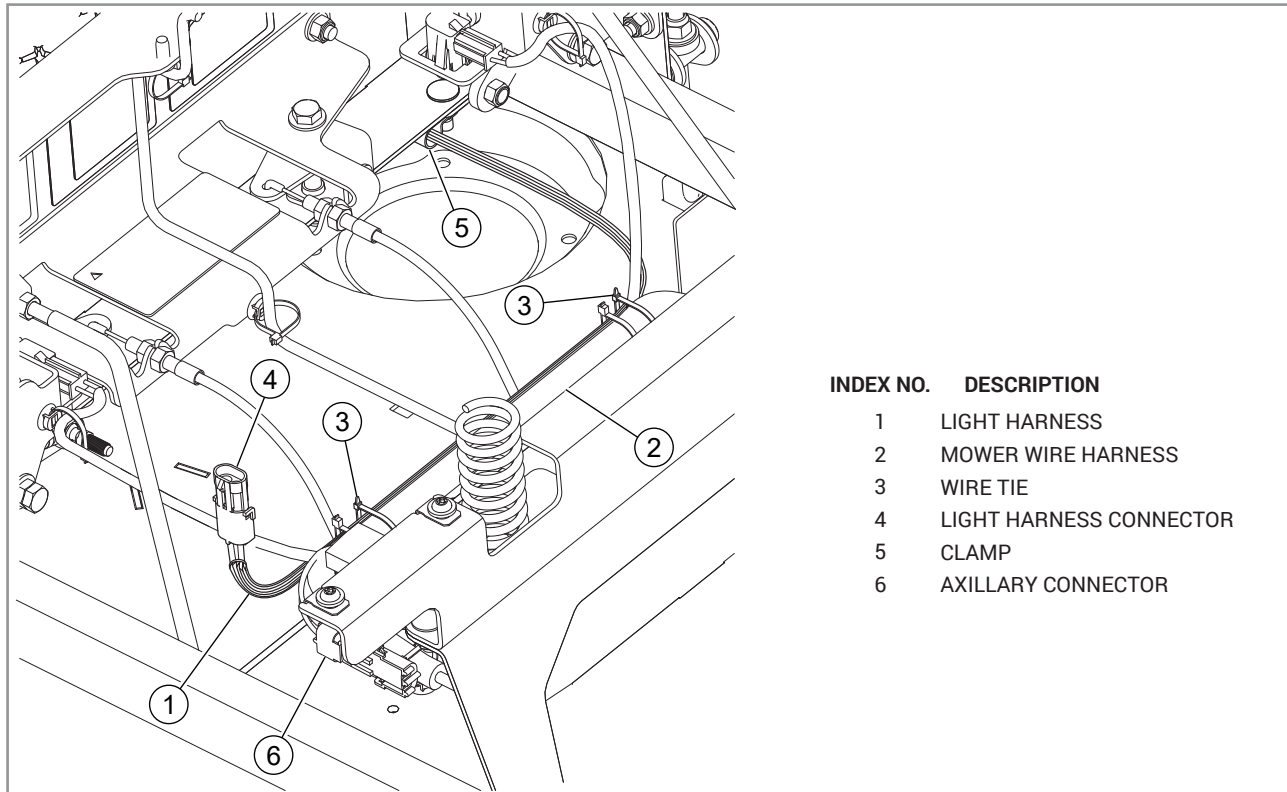


FIG. 5

13. Locate the auxiliary connector attached to the mower wire harness next to the battery. Remove the plug from the auxiliary connector. FIG. 6

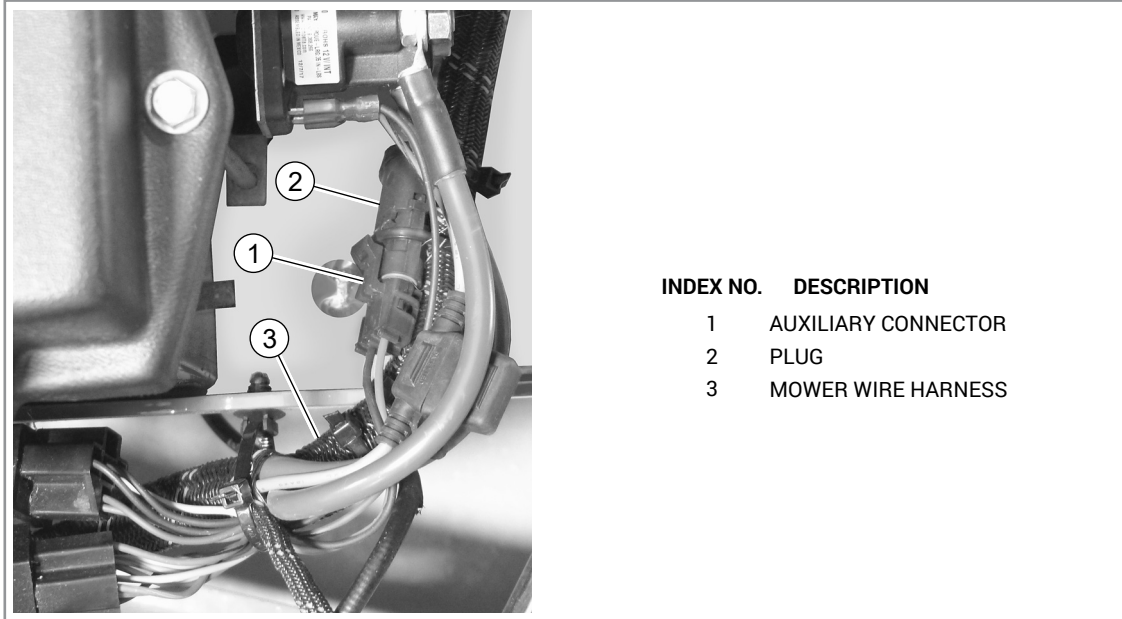


FIG. 6

14. Plug the light harness connector to the auxiliary connector for the mower. Attach the light harness to the mower wire harness with wire ties. Do not tighten. FIG. 7

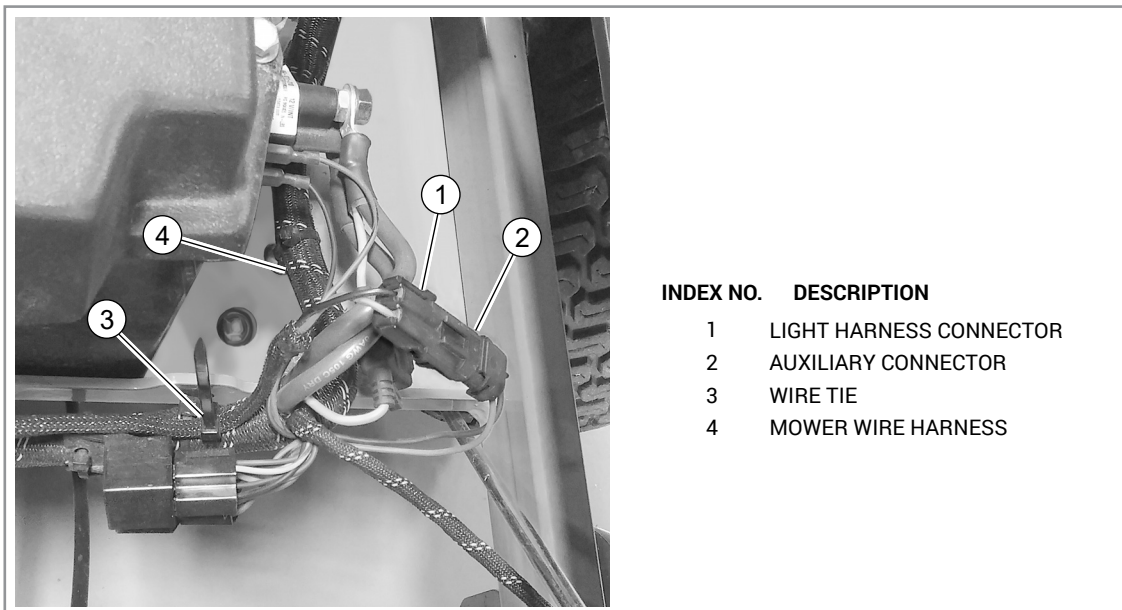


FIG. 7

15. Adjust the light harness to avoid moving components or being pinched. Tighten the wire ties and deck lift strap hardware as shown. FIG. 8

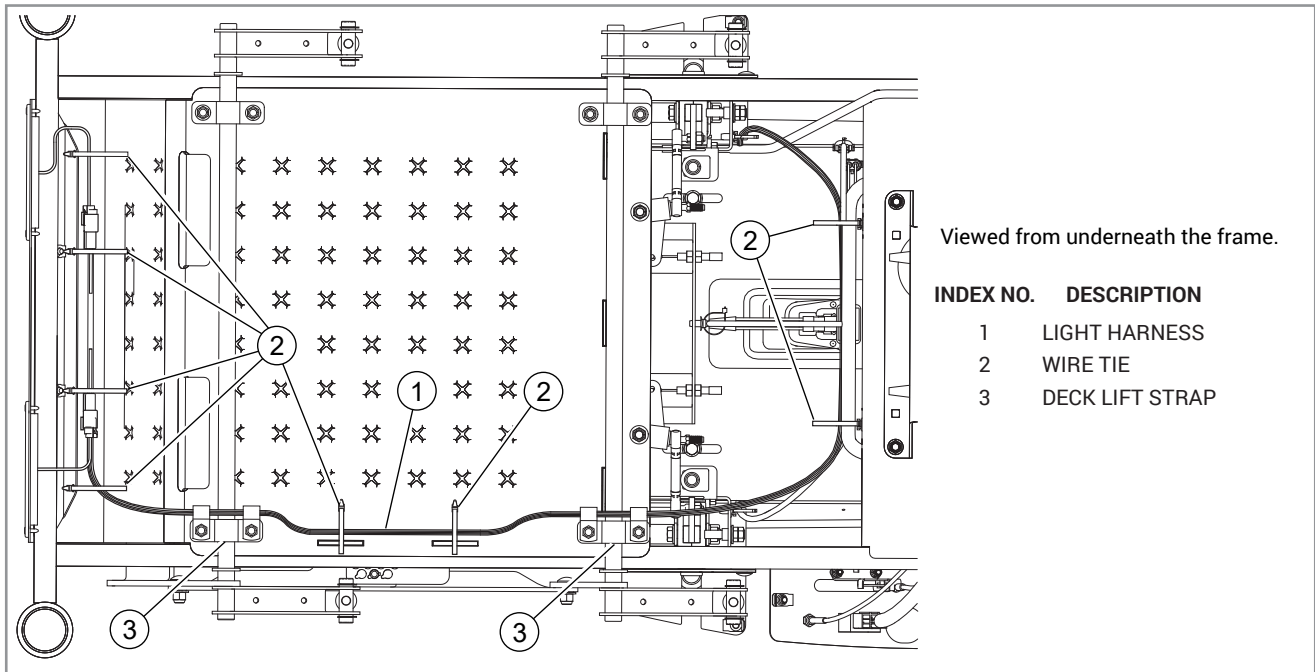


FIG. 8



WARNING

Make sure the light switch harness does not come into contact with any moving parts.

16. Re-connect the negative battery cable.

17. The lights will turn on when the key is in the "ON" position.