

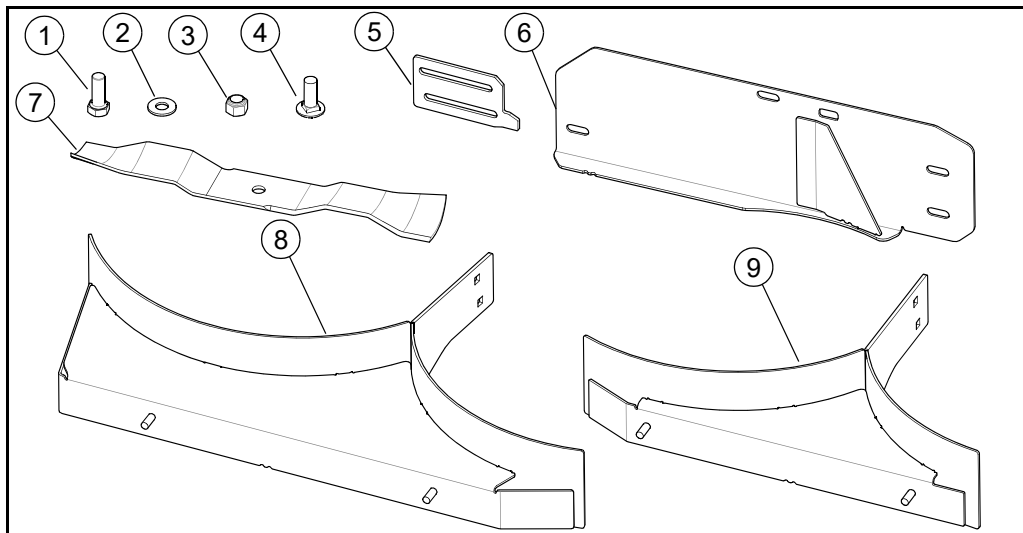
Mulch Kit

Instruction Number 124317

- 54" Deck—Part Number 124311
- 60" Deck—Part Number 124314
- 66" Deck—Part Number 124315
- 72" Deck—Part Number 124316

Packing List

Listed below are parts included in this kit. If any parts are missing or damaged, please contact the Excel Parts Department. Retain these instructions for replacement parts.



P/N 124311—54" DECK

INDEX NO.	PART NO.	DESCRIPTION	QTY.
1	036244	CS .375-16 X 1.00 HX G5	3
2	767954	FW .379 X .813 X .063	11
3	086660	NT .375-16 G5 NL	11
4	025395	CB .375-16 X 1.00 G5 ZNY	4
5	113615	SLIDER PLATE	2
6	124306-3	54" MULCH CLOSE OFF	1
7	797704	BLADE, 18.50"-MUL-F-CW	3
8	113738	RIGHT MULCH BAFFLE	1
9	113742	LEFT MULCH BAFFLE	1

P/N 124315—66" DECK

INDEX NO.	PART NO.	DESCRIPTION	QTY.
1	036244	CS .375-16 X 1.00 HX G5	3
2	767954	FW .379 X .813 X .063	13
3	086660	NT .375-16 G5 NL	13
4	025395	CB .375-16 X 1.00 G5 ZNY	4
5	113615	SLIDER PLATE	2
6	124309-3	66" MULCH CLOSE OFF	1
7	798504	BLADE, 22.50"-MUL-F-CW	3
8	113915	RIGHT MULCH BAFFLE	1
9	113919	LEFT MULCH BAFFLE	1

P/N 124314—60" DECK

INDEX NO.	PART NO.	DESCRIPTION	QTY.
1	036244	CS .375-16 X 1.00 HX G5	3
2	767954	FW .379 X .813 X .063	13
3	086660	NT .375-16 G5 NL	13
4	025395	CB .375-16 X 1.00 G5 ZNY	4
5	113615	SLIDER PLATE	2
6	124303-3	60" MULCH CLOSE OFF	1
7	794214	BLADE, 20.50"-MUL-F-CW	3
8	113611	RIGHT MULCH BAFFLE	1
9	113389	LEFT MULCH BAFFLE	1

P/N 124316—72" DECK

INDEX NO.	PART NO.	DESCRIPTION	QTY.
1	036244	CS .375-16 X 1.00 HX G5	3
2	767954	FW .379 X .813 X .063	13
3	086660	NT .375-16 G5 NL	13
4	025395	CB .375-16 X 1.00 G5 ZNY	4
5	113615	SLIDER PLATE	2
6	124312-3	72" MULCH CLOSE OFF	1
7	798710	BLADE, 24.50"-MUL-F-CW	3
8	113848	RIGHT MULCH BAFFLE	1
9	113852	LEFT MULCH BAFFLE	1



WARNING



Use only appropriate vehicle stands, with a minimum weight rating of 2000 pounds to block the unit up. Use in pairs only. Follow the instructions supplied with the vehicle stands.

Assembly

1. Park the mower on a solid, level surface; set the park brakes; shut-off the engine; and remove the ignition key. Disconnect the negative battery cable.
2. Raise the front of the mower high enough to install the mulch kit. Place the mower securely on jack stands and do not allow the mower to move. Chock the rear drive wheels.

NOTE: It is not necessary to remove the side deflector when this mulch kit is installed. However, if you choose to remove the side deflector, remove the side deflector, pin, nut and spring from the deck. Do not discard these parts as these will be needed when not operating in the mulch mode. Fig. 2



WARNING



Never operate the mower deck with side deflector damaged, altered, removed or in raised position, except when the entire grass catcher attachment or mulching system is being used.

Mower blades are sharp and can cut. Wrap the blade(s) or wear gloves and use extra caution when servicing them.

3. Remove and retain the existing blades.
4. Remove the two adjustable inner deck baffles attached to the underneath front side of the deck. Fig. 1
NOTE: The mulch kit can be installed with or without the adjustable inner deck baffles. If these baffles are left in, they must be mounted in the lowest position. This will minimize front air blowout in a dry, sparse grass condition or when mulching with the cutting height set in a higher setting.
5. Attach the mulch end cap to the deck using the provided hardware. Fig. 1
6. Attach the right and left mulch baffles by inserting the threaded studs into the holes in the front deck wall. Use the provided hardware to tighten the mulch baffles in place. Fig. 1
7. Use the provided hardware to attach the mulch slider plates to the mulch baffles. Do not tighten. Fig. 1
8. Slide the mulch slider plates until the tab on the plate goes into the slot in the rear wrappers. Tighten all hardware. Fig. 1
9. Attach the mulching blades to the blade spindles using the existing hardware. Torque bolts to 118 ft–lbs. (160 N•m). Fig. 1



WARNING

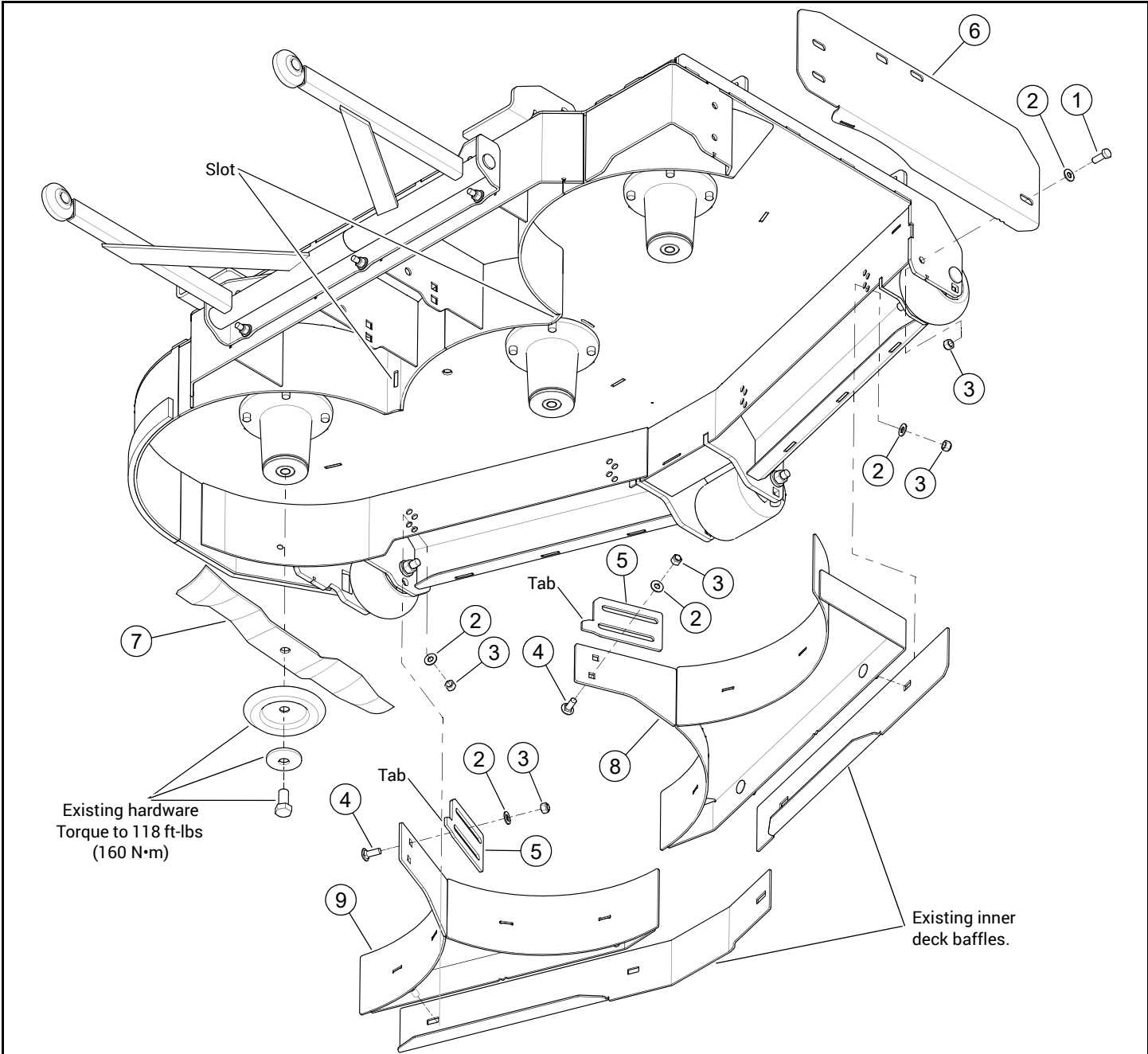


Failure to correctly torque the bolt may result in the loss of the blade which can cause serious injury.

10. Rotate the blades by hand, to make sure they are not making contact with the mulch plates. Adjust the baffles as needed.
11. Remove the wheel chocks and lower the mower from the jack stands.
12. Re-connect the negative battery cable and continue operation.

IMPORTANT: Make sure the seat platform is securely fastened before operating.

NOTE: To remove this mulch kit, follow the above steps in reverse and reinstall the original blades.



INDEX NO.	DESCRIPTION
1	CS .375-16 X 1.00 HX G5
2	FW .379 X .813 X .063
3	NT .375-16 G5 NL
4	CB .375-16 X 1.00 G5 ZNY
5	SLIDER PLATE

INDEX NO.	DESCRIPTION
6	MULCH CLOSE OFF
7	BLADE, MUL-F-CW
8	RIGHT MULCH BAFFLE
9	LEFT MULCH BAFFLE

FIG. 1

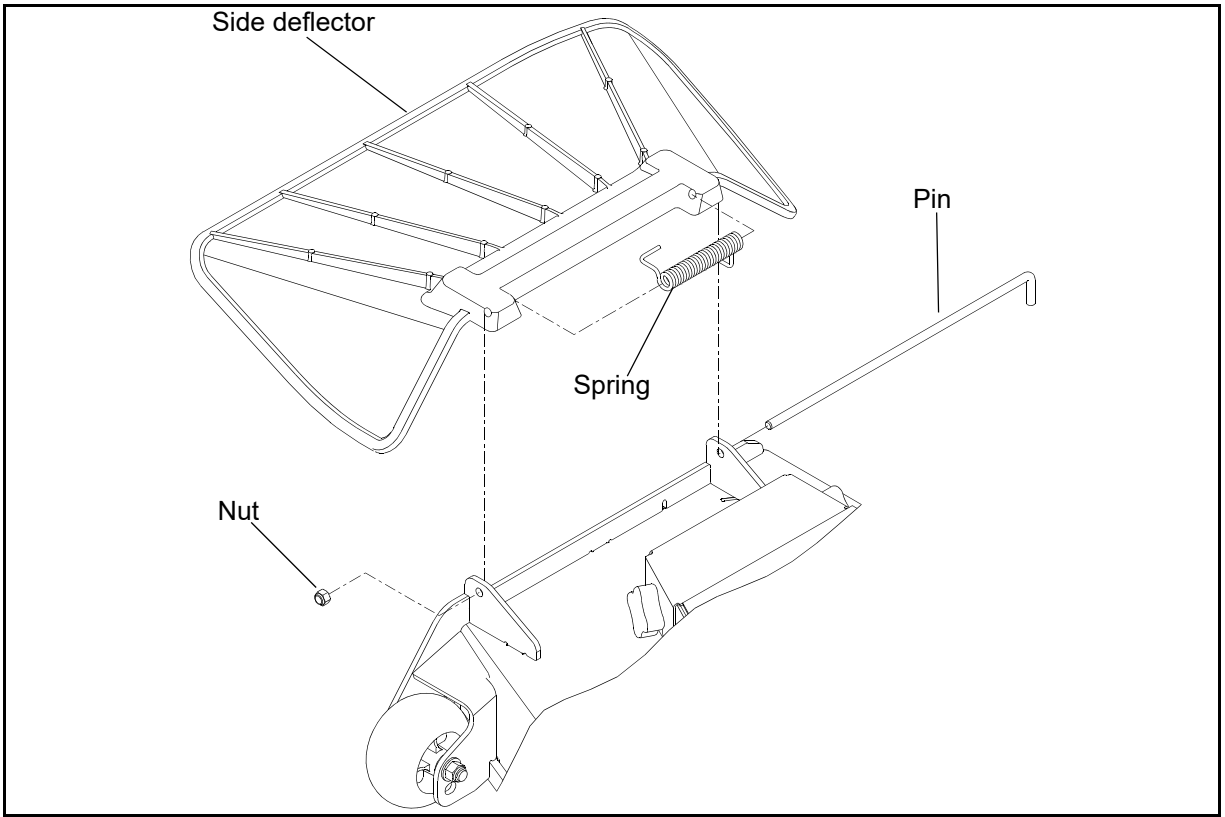


FIG. 2

Mulch tips

Mulching grass and leaves into your lawn can be very beneficial. However, mulching can also result in possible negative consequences if not done carefully and correctly. Listed below are some helpful mulching guidelines to help keep your lawn looking healthy.

<1"

Cut off 1" or less of grass at a time. Doing this will make it necessary to mow more frequently when using a mulch kit. Cutting off too much grass at one time can overload the deck and the engine. This can result in poor cut quality and clumps of debris being deposited on top of the grass. Debris that is left on top of the grass can smother the grass, and it may not break down prior to the next mowing.

If the grass is too tall, raise the cutting height of the deck to mulch off 1" of grass. When finished, drop the deck another 1" and mow again. Repeat this process if necessary. Sometimes there may be more grass or debris than can reasonably be mulched. In this situation, either collect the debris with a catching system or remove the mulch kit and mow in side or rear discharge mode. Upon completion of this task, manually collect the debris.



Slow down. It will be necessary to operate the mower at a slower ground speed than when operating without the mulch kit. Mulching re-cuts grass and leaves multiple times. This consumes more power. Mowing slower gives the blades more time to reduce the clipping size. This allows the clippings to fall out between the tip of the blades and inside of the housing.



Try not to mow wet grass. The mower will have difficulty processing wet grass without the grass clumping. Wet grass will also collect on the underneath side of the deck. This will make it necessary to frequently clean the underneath side of the deck in order for it to operate properly.

Mulching heavily weeded areas can have the same effect as mulching wet grass. Weeds will often have a high moisture content and can be very sticky.



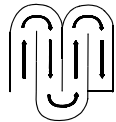
Set the throttle at full rpm for maximum performance. The blade tip speed is important. If the engine speed begins to drop, slow down the mowing ground speed until the engine can speed up.



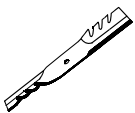
Do not mulch too low. Mulching at a low cutting height reduces the space available to accept the clippings. This results in more visible debris. Mowing low also allows valuable soil moisture to escape.



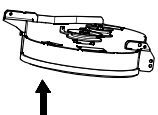
Avoid mulching when weeds are seeding out. Mulching provides a good seedbed for weeds to germinate. If you have many weed seeds, consider collecting the grass instead of mulching.



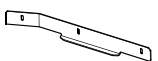
Be conscious of your mowing pattern. Shutting off the deck at the end of a pass, or backing up, can result in grass being dropped in front of the blades. It is important to plan your mowing pattern so that any dropped debris can be picked up.



Use appropriate blades for leaf mulching. If the grass is dry, the height of the cut can be lowered to prevent leaves from blowing away from the front of the deck. In some conditions, Gator™ style mulching blades are effective at breaking leaves into smaller pieces. Gator™ mulching blades are available from your dealer.



Adjust the pitch of the deck. Adjusting the pitch of the deck may result in improved mulching performance. Setting the deck level, or with the rear of the deck slightly lower than the front, can keep material in the deck longer. This will result in finer clippings. Conversely, if the rear of the deck is higher than the front, it may allow faster mowing, but larger clippings.



Lower the baffles. When mulching with a rear discharge deck that is fitted with adjustable front baffles, lower the baffles to the lowest setting to prevent debris from being blown out of the front of the deck.