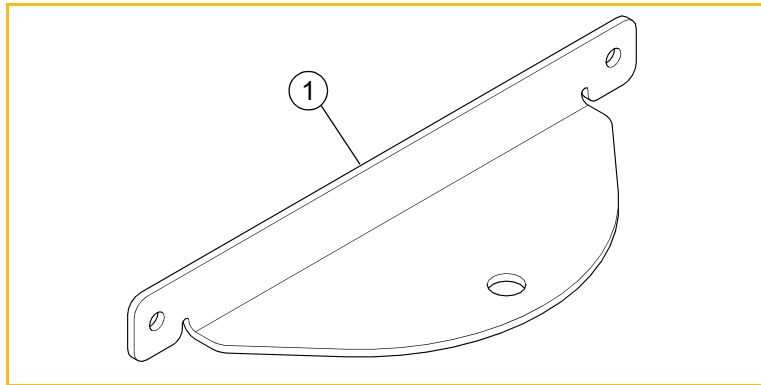


REAR HITCH KIT

PART NUMBER: 123915

PACKING LIST:

Listed below are parts included in this kit. If any parts are missing or damaged, please contact the Hustler® Parts Department. Retain these instructions for replacement parts.



INDEX NO.	PART NO.	DESCRIPTION	QTY
1	123820	HITCH	1

ASSEMBLY:

1. Park the mower on a solid, level surface; set the park brakes; shut-off the engine; and remove the ignition key.
2. Remove the muffler guard and hardware. FIG. 1
3. Attach the hitch and muffler guard using the existing hardware. FIG. 1

IMPORTANT: Torque the hardware to 30 ft-lbs (40 N•m).

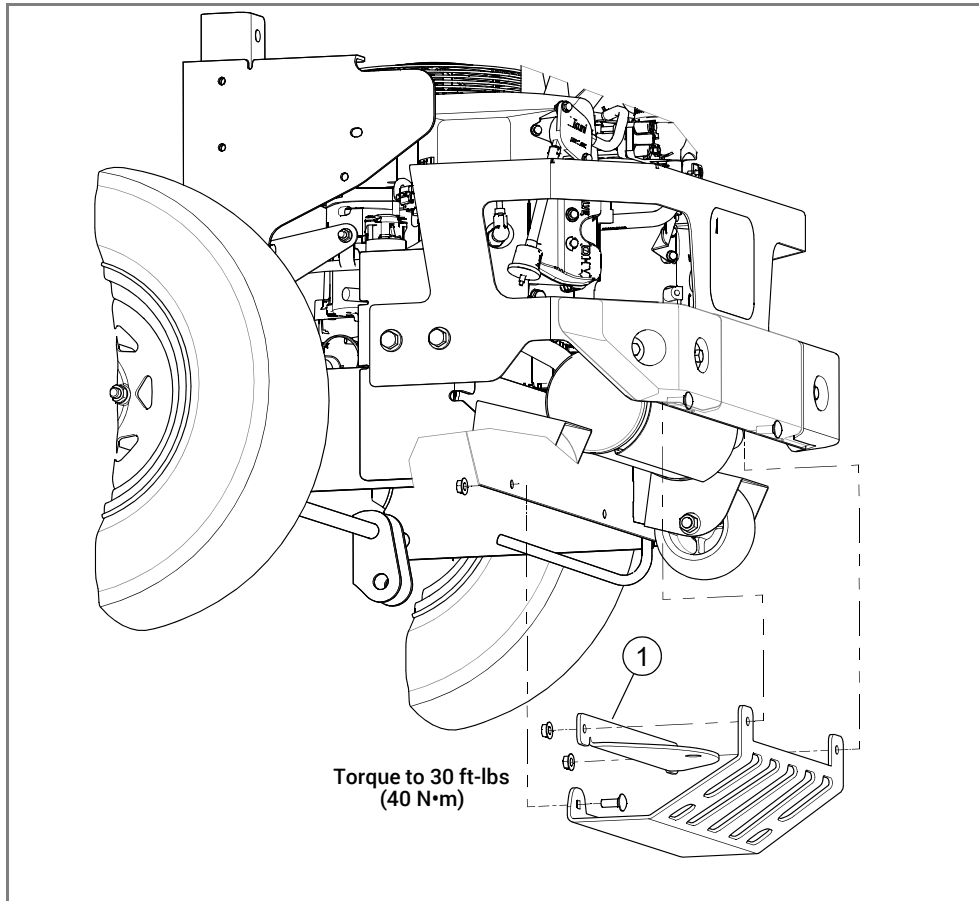


FIG. 1