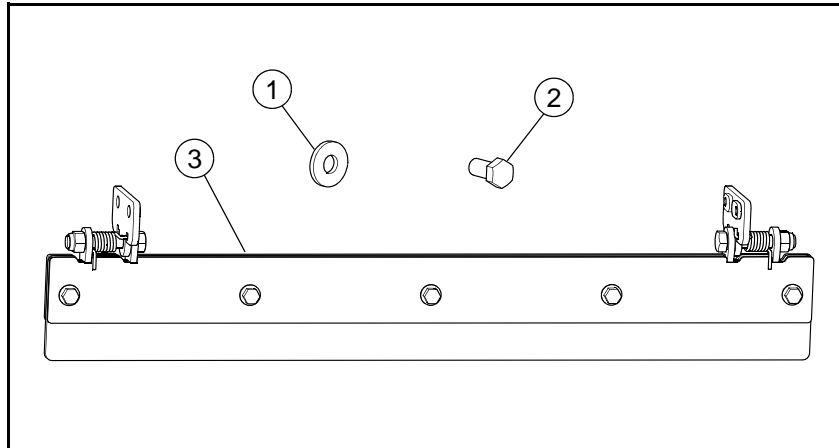


Packing List

Listed below are parts included in this kit. If any parts are missing or damaged, please contact the Excel Parts Department. Retain these instructions for replacement parts.



INDEX NO.	PART NO.	DESCRIPTION	QTY.
1	712919	FW .406 X 1.00 X .12 HRD Z	4
2	055822	CS .375-16 X .75 HX G5	4
3		STRIPE KIT ASSEMBLY	1

Assembly

1. Park the mower on a solid, flat, level surface; set the park brake; shut-off the engine; and remove the ignition key. Disconnect the negative battery cable.
2. Chock the front wheels to prevent the mower from moving.
3. Raise the rear of the mower high enough to attach the kit and place the mower on jack stands.



Use only appropriate vehicle stands, with a minimum weight rating of 2000 pounds to block the unit up. Use in pairs only. Follow the instructions supplied with the vehicle stands.

4. Position the stripe kit assembly with the mounting brackets on the inside of the frame and aligned with the holes in the frame. FIG. 1

IMPORTANT: The orientation of the spring is critical to proper operation; assemble as shown.

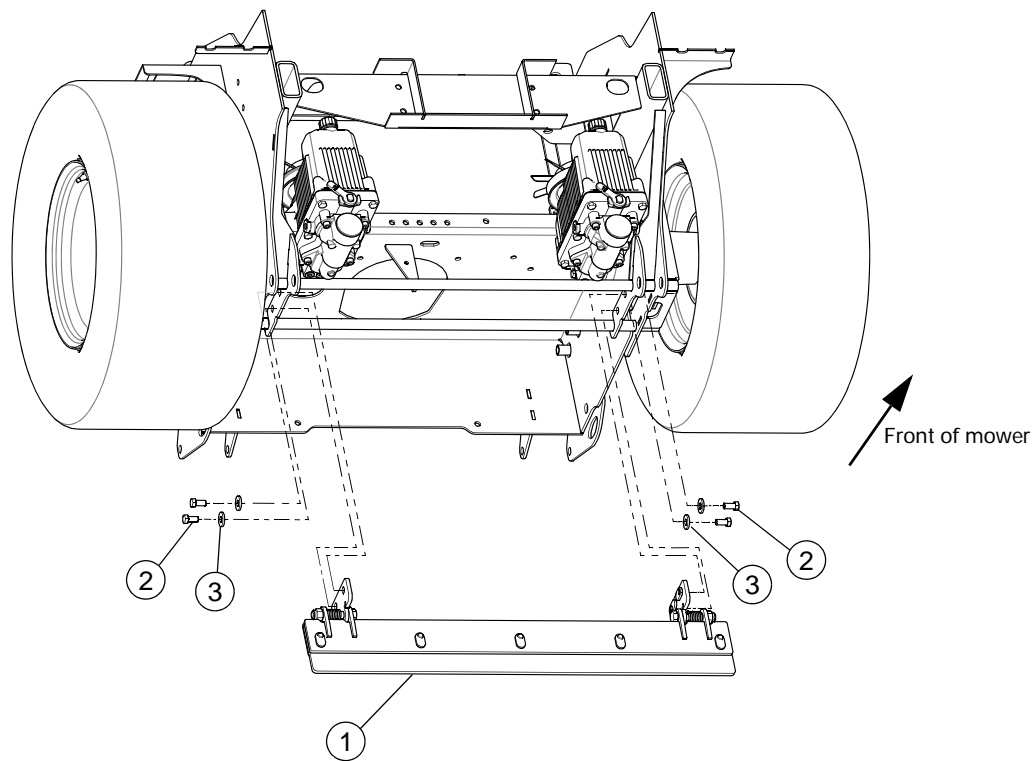
IMPORTANT: For the stripe kit to function properly, it must be attached so that the flap will be held to the ground by the spring tension when the machine is moving forward. The tension is released and the flap swings freely when the machine is moving in reverse.

5. Secure with the cap screws and flat washers inserted through the frame and into the brackets. FIG. 1

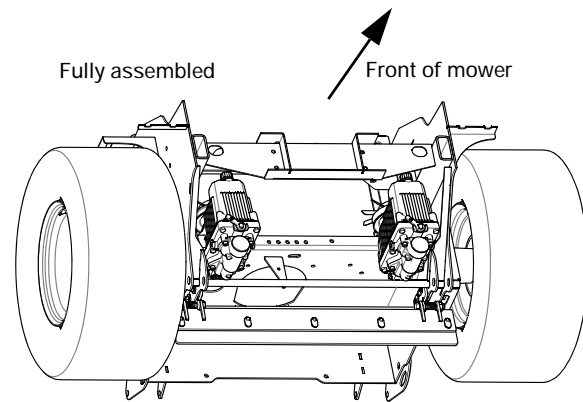
NOTE: The height of the flap can be adjusted by loosening the cap screws and sliding the rubber flap up or down.

6. Lower the mower off the jack stands and remove the wheel chocks.
7. Connect the negative battery cable. The machine is ready to operate.

IMPORTANT: Use caution when crossing uneven terrain, such as curbs, to prevent damage to the striper flap.

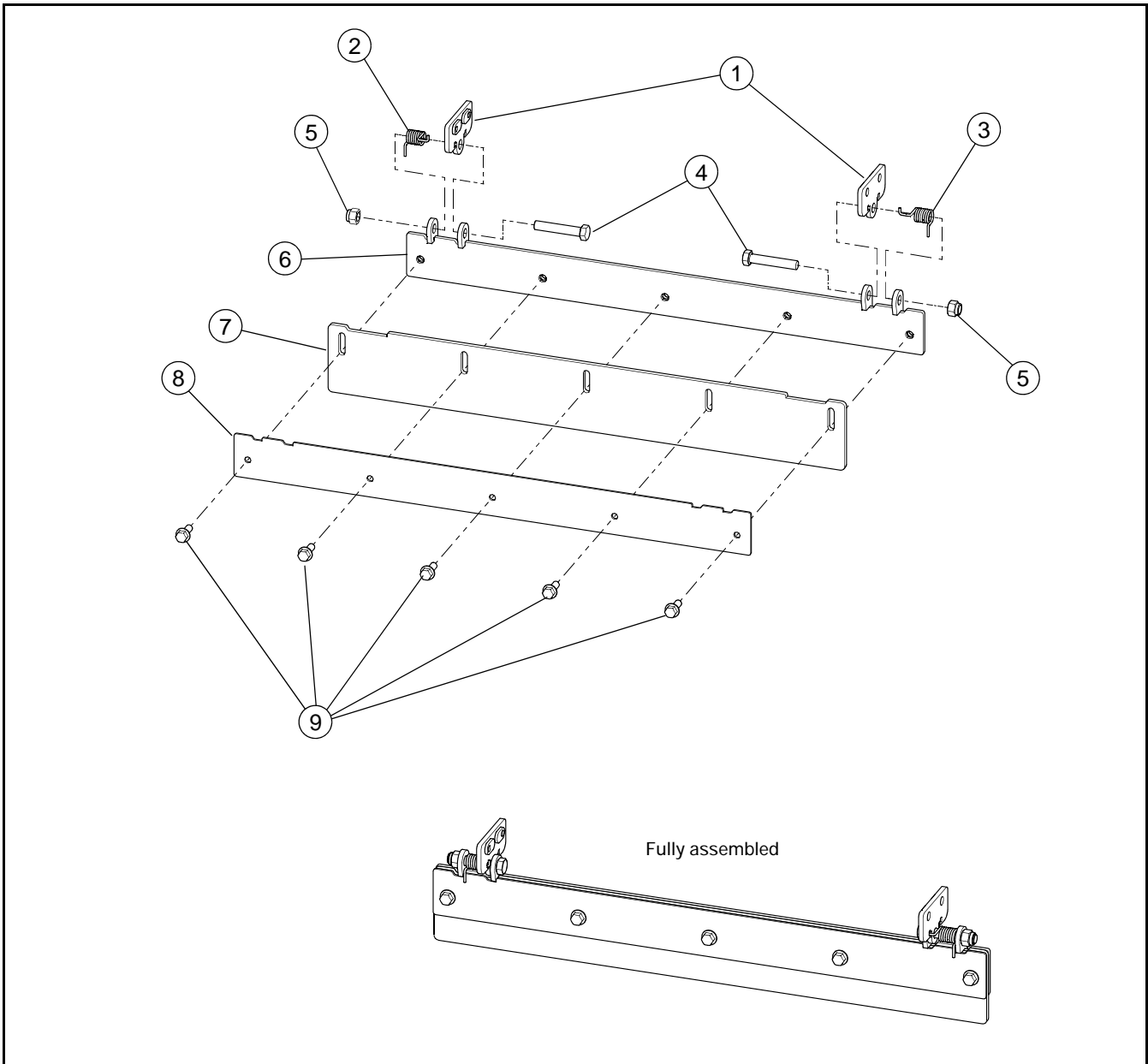


See important notes on page 1.



INDEX NO.	PART NO.	DESCRIPTION
1		STRIPE KIT ASSEMBLY
2	055822	CS .375-16 X .75 HX G5
3	712919	FW .406 X 1.00 X .12 HRD Z

FIG. 1



INDEX NO.	PART NO.	DESCRIPTION	QTY.
1	122707	STRIPER PIVOT EAR	2
2	606383	LS TORSION SPRING	1
3	606325	RS TORSION SPRING	1
4	721910	CS .500-13 X 2.75 HX G5 Z	2
5	781567	NT .500-13 HX G8 ZY NL	2
6	123429	HANGER	1
7	606524	RUBBER FLAP	1
8	123438	BACKING PLATE	1
9	029751	CS .375-16 X 1.00 HX FLK	5