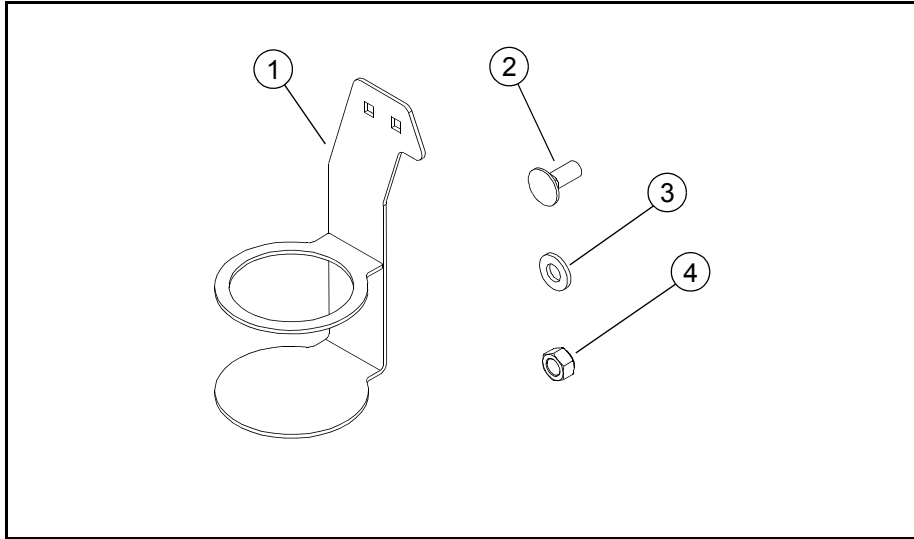


Packing List

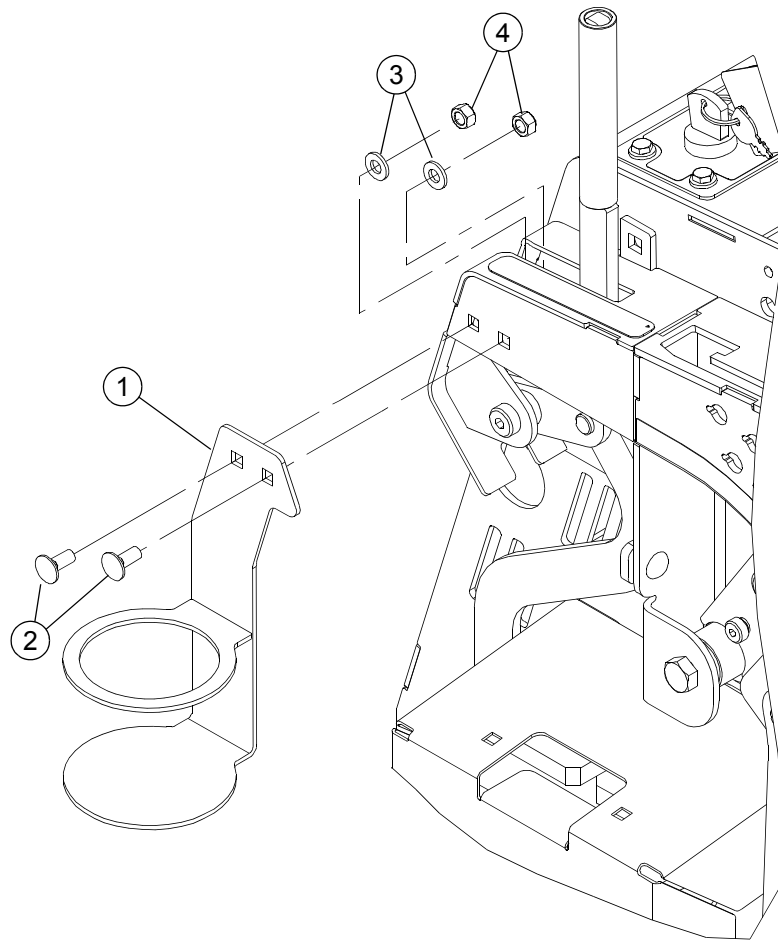
Listed below are parts included in this kit. If any parts are missing or damaged, please contact the Excel Parts Department. Retain these instructions for replacement parts.



INDEX NO.	PART NO.	DESCRIPTION	QTY.
1	122805	CUP HOLDER	1
2	016253	CB .312-18 X .75 FUL ZN	2
3	768523	FW .343 X .687 X .051/.080H	2
4	058776	NT .312-18 HX G5 ZY NL	2

Assembly

1. Park the mower on a solid, level surface; set the park brake; shut-off the engine; and remove the ignition key.
2. Chock the wheels to prevent the mower from moving.
3. Attach the cup holder to the mower frame with provided carriage bolts, flat washers and nuts. FIG. 1
4. Remove the wheel chocks. The machine is ready to operate.



INDEX NO.	PART NO.	DESCRIPTION
1	122805	CUP HOLDER
2	016253	CB .312-18 X .75 FUL ZN
3	768523	FW .343 X .687 X .051/.080H
4	058776	NT .312-18 HX G5 ZY NL

FIG. 1