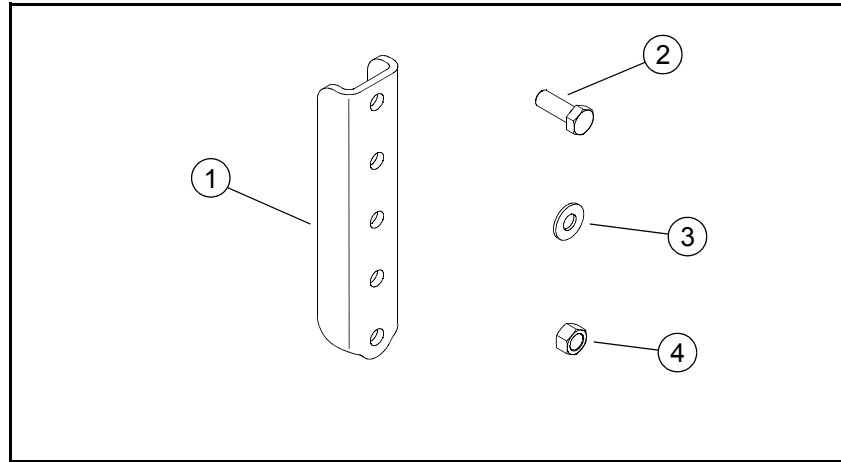


**Packing List**

Listed below are parts included in this kit. If any parts are missing or damaged, please contact Excel Parts Department. Retain these instructions for replacement parts.

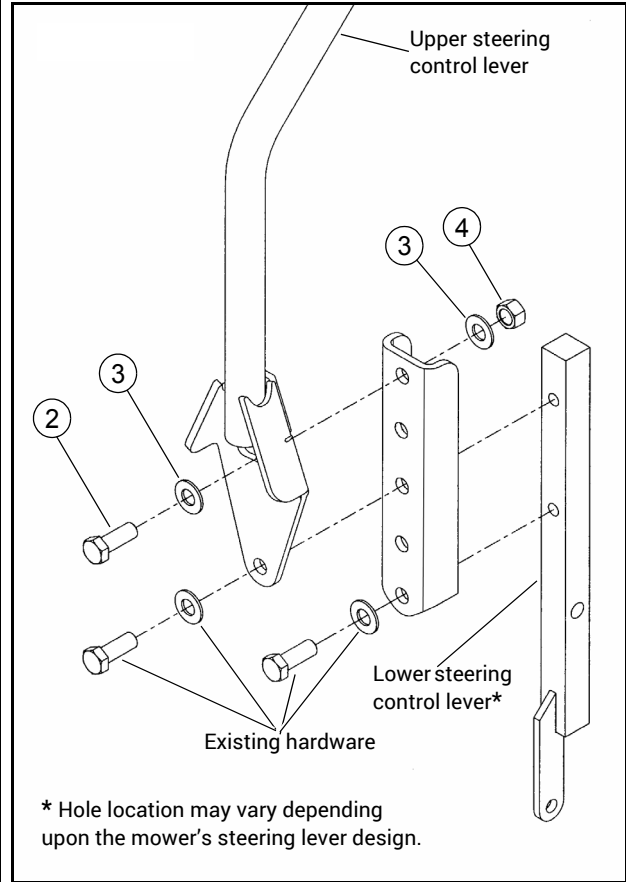


INDEX NO.	PART NO.	DESCRIPTION	QTY
1	122759	STEERING ARM EXTENSION	2
2	036244	CS .375-16 X 1.00 HX G5	4
3	767954	FW .379 X .813 X .063	8
4	054502	NT .375-16 HX G5 ZNY	4

**Assembly**

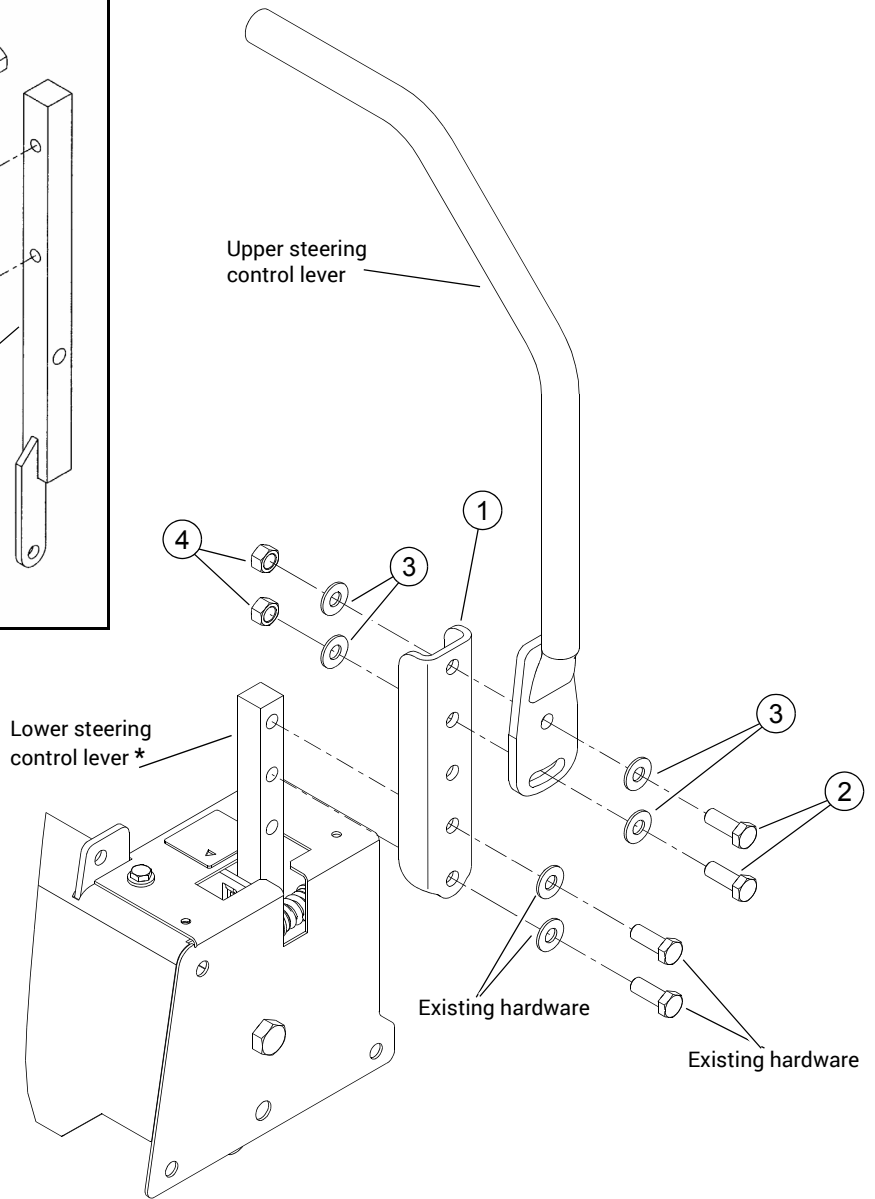
**NOTE:** Choose whichever design shown in Fig. 1 is applicable.

1. Park the mower on a solid, level surface; set the park brakes; shut-off the engine; chock the tires in the front and back; and remove the ignition key.
2. Remove but retain the hardware that attaches the upper steering control lever to the lower lever. Fig. 1
3. Align the holes on the steering arm extension to the lower steering control lever as shown in Fig. 1.
4. Attach the steering arm extension using the retained or provided hardware as needed and tighten. Fig. 1  
**NOTE:** Hole location may vary depending upon the mower's steering lever design.
5. Align the holes in the upper steering control lever with the holes in the steering arm extension as shown in Fig. 1.
6. Attach the upper steering control lever to the steering arm extension using the retained or provided hardware as needed. Fig. 1  
**NOTE:** Before tightening, pivot the upper steering control lever to fit the operator's personal preference and then tighten.
7. Repeat steps 2 through 6 for the other steering control lever.
8. Adjust the steering control levers so that they align with each other when in the neutral position.
9. Remove the wheel chocks.
10. The machine is now ready to operate.



**Choose the applicable design.**

**Use existing or provided hardware as needed.**



INDEX NO.	PART NO.	DESCRIPTION
1	122759	STEERING ARM EXTENSION
2	036244	CS .375-16 X 1.00 HX G5
3	767954	FW .379 X .813 X .063
4	054502	NT .375-16 HX G5 ZNY

FIG. 1