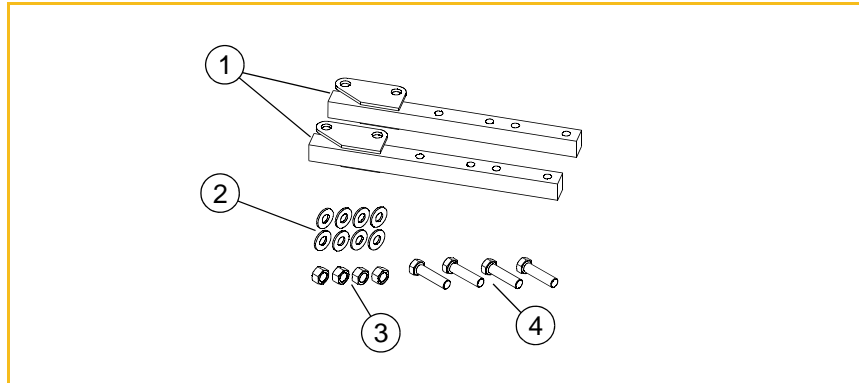


# SUPER 104 STEERING ARM EXTENSION KIT

PART NUMBER: 122275

## PACKING LIST:

Listed below are parts included in this kit. If any parts are missing or damaged, please contact the Hustler® Parts Department. Retain these instructions for replacement parts.



INDEX NO.	PART NO.	DESCRIPTION	QTY
1	122267	STEERING ARM EXTENSION	2
2	767954	FW .379 X .813 X .063	8
3	054502	NT .375-16 HX G5 ZNY	4
4	604365	CS .375-12 X 1.50 HX G5	4

## INSTALLATION:

1. Park the mower on a solid, level surface; shut-off the engine; chock the tires in the front and the back; and remove the ignition key.
2. Remove but retain the hardware that attaches the upper steering control lever to the lower lever.
3. Align the holes on the steering arm extension to either the top set of holes for maximum height or the bottom set of holes on the lower steering control lever. Attach the steering arm extension using the new hardware and tighten. FIG. 1
4. Slide the upper steering control lever up or down and align the holes in it with the holes in the steering arm extension. Attach the upper steering control lever to the steering arm extension using the retained hardware. FIG. 2

**NOTE:** Before tightening, pivot the upper steering control lever to fit the operator's personal preference and then tighten.

5. Repeat steps 2 through 4 for the other steering control lever.
6. Adjust the steering control levers so that they align with each other when in the neutral position.
7. Remove the wheel chocks.
8. Machine is now ready to operate.

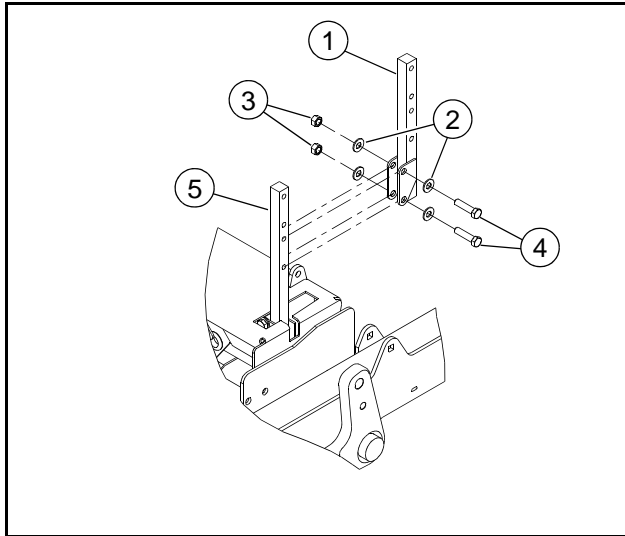


FIG. 1

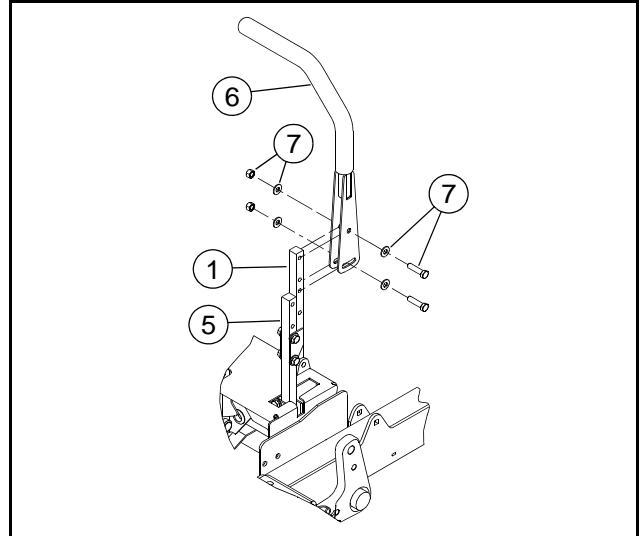


FIG. 2

INDEX NO.	DESCRIPTION
1	STEERING ARM EXTENSION
2	FLAT WASHER .379 X .813 X .063
3	NUT .375-16 HX G5 ZNY
4	CAP SCREW .375-12 X 1.50 HX G5
5	LOWER STEERING CONTROL LEVER
6	UPPER STEERING CONTROL LEVER
7	RETAINED HARDWARE