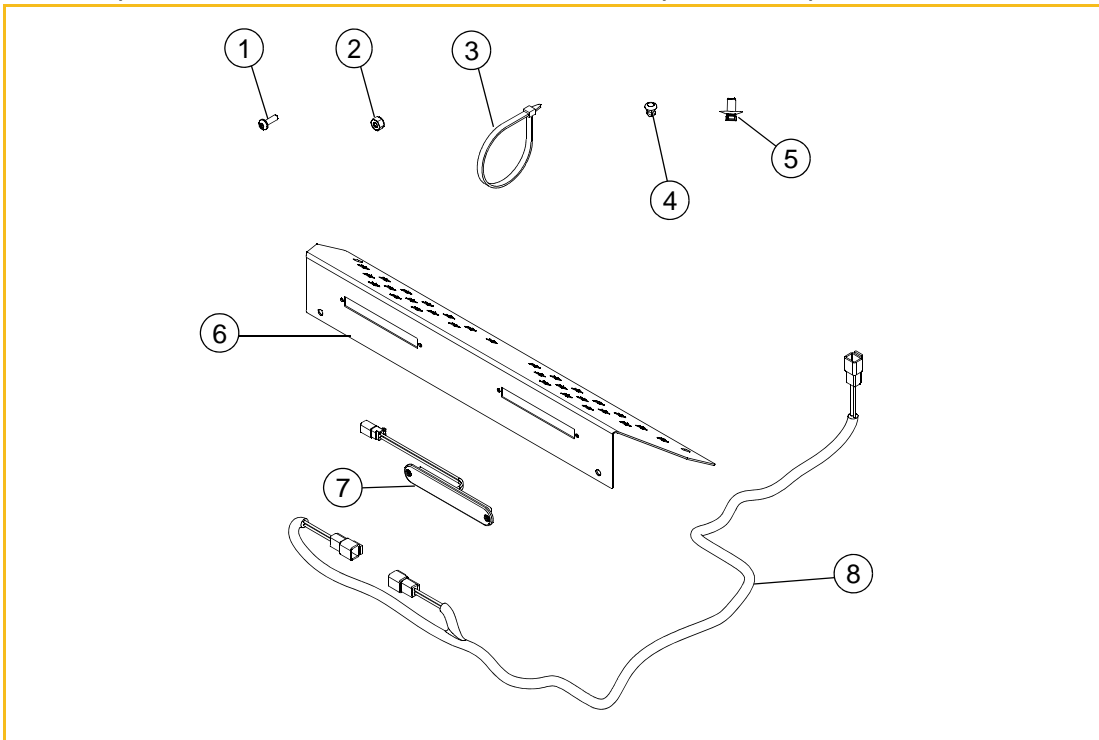


LIGHT KIT

PART NUMBER: 121505

PACKING LIST:

Listed below are parts included in this kit. If any parts are missing or damaged, please contact the Hustler® Parts Department. Retain these instructions for replacement parts.



INDEX NO.	PART NO.	DESCRIPTION	QTY
1	605209	CS #8-32 X .500 PH TRX	4
2	605208	NT #8-32 HX NL ZN	4
3	000331	WIRE TIE	10
4	604307	PUSH BUTTON MOUNT	3
5	605405	PUSH MOUNT	2
6	120384	FOOT REST	1
7	605003	LIGHT	2
8	605294	WIRE HARNESS	1

WARNING

Use extreme caution if it becomes necessary to operate the unit, transporting or mowing, after dark or in low light situations. Only operate in open areas where there are no overhead obstructions; i.e. guide wires, tree branches, low overhangs, etc. Operate only in areas where the operator is thoroughly familiar with the terrain and any potential hazards. The lights are designed to illuminate forward and down and will not illuminate to the side or upward.

ASSEMBLY:

1. Park the mower on a solid, level surface; lower the deck to the lowest position; set the park brakes; shut-off the engine; and remove the ignition key. (Disconnect the negative battery cable.)
2. Remove the existing foot rest and the floor panel to access the wire harness path.
3. Insert the headlights into the new foot rest and secure with the provided hardware. FIG. 1
4. Insert the two wire harness leads up through the mower frame from below. Connect the lights to the wire harness. FIG. 1

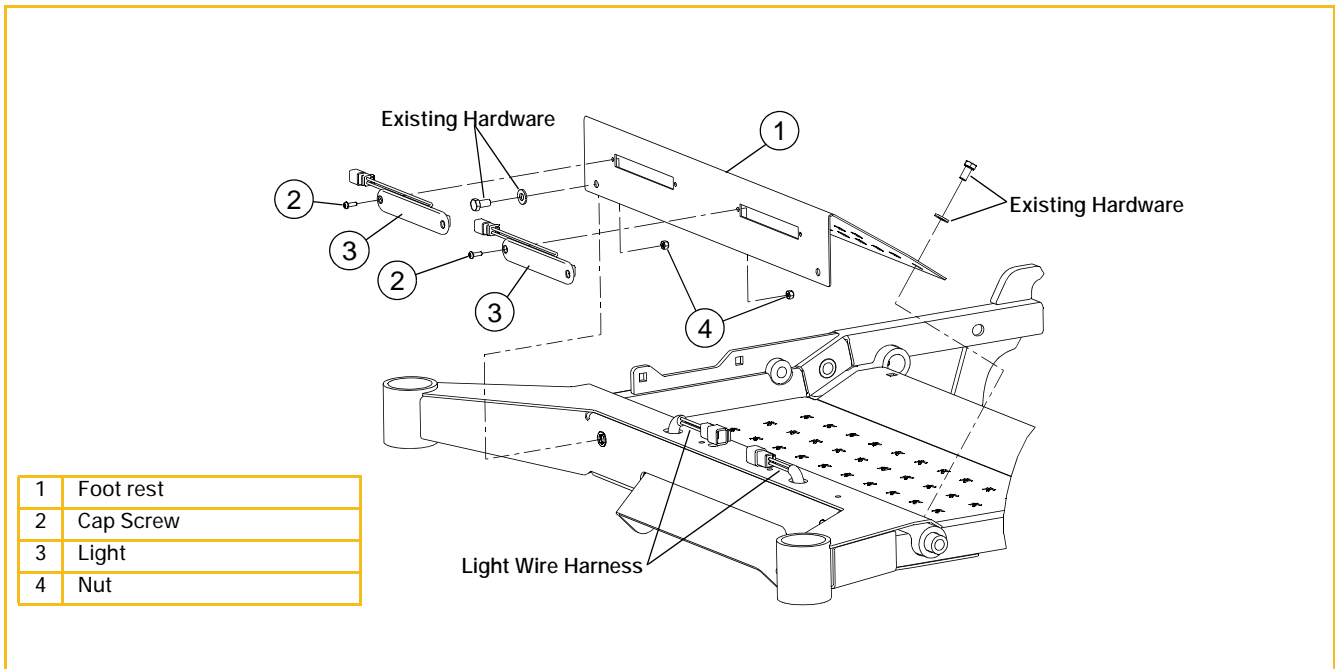


FIG. 1

5. Insert the push button mounts into the mounting holes located in the mower frame.
FIG. 2

NOTE: Make sure to insert the push button mounts in from the top of the frame.

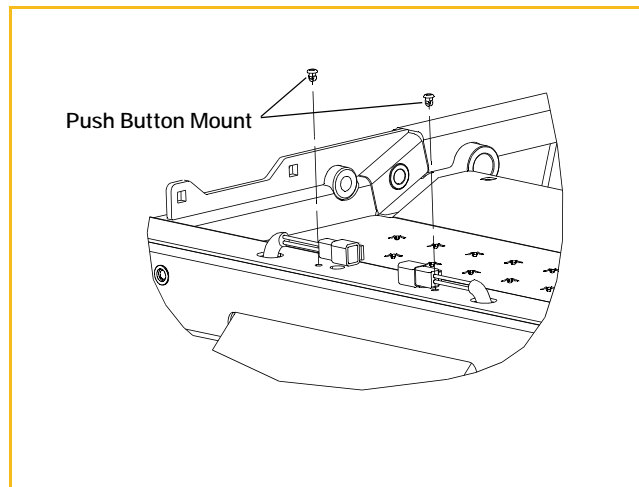


FIG. 2

6. Insert wire ties through the push button mounts to secure the light harness.
7. Attach the new foot rest using existing hardware. FIG. 1
8. Insert the push mounts into the side of the left frame rail. Insert wire ties into the push mounts for securing the light harness in the next step. FIG. 3

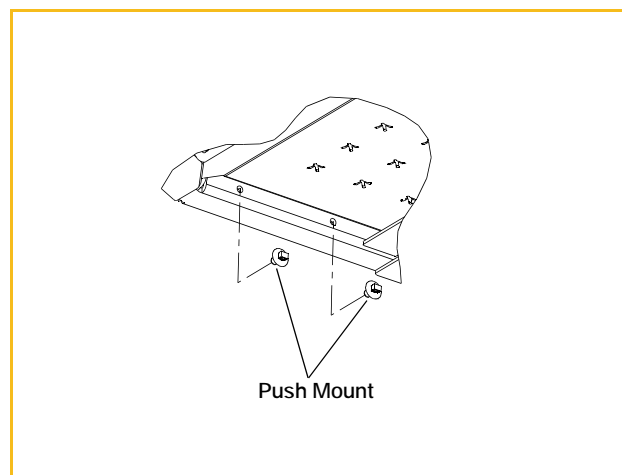


FIG. 3

9. Route the light harness along the inside of the front and left side of the mower frame, loosely securing it in place with wire ties. FIG. 4

NOTE: The light harness will need to be pulled tight to allow it to reach the area under the seat.

IMPORTANT: The light harness **must** be routed per FIG. 4, FIG. 5 & FIG. 6 . .

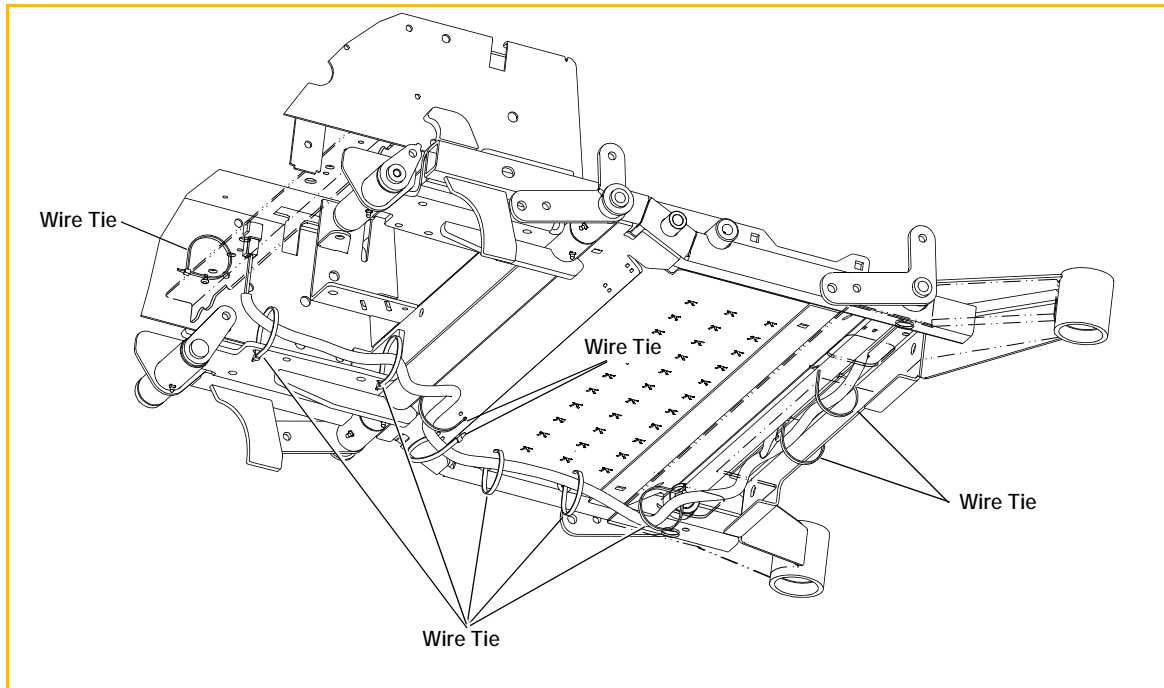


FIG. 4

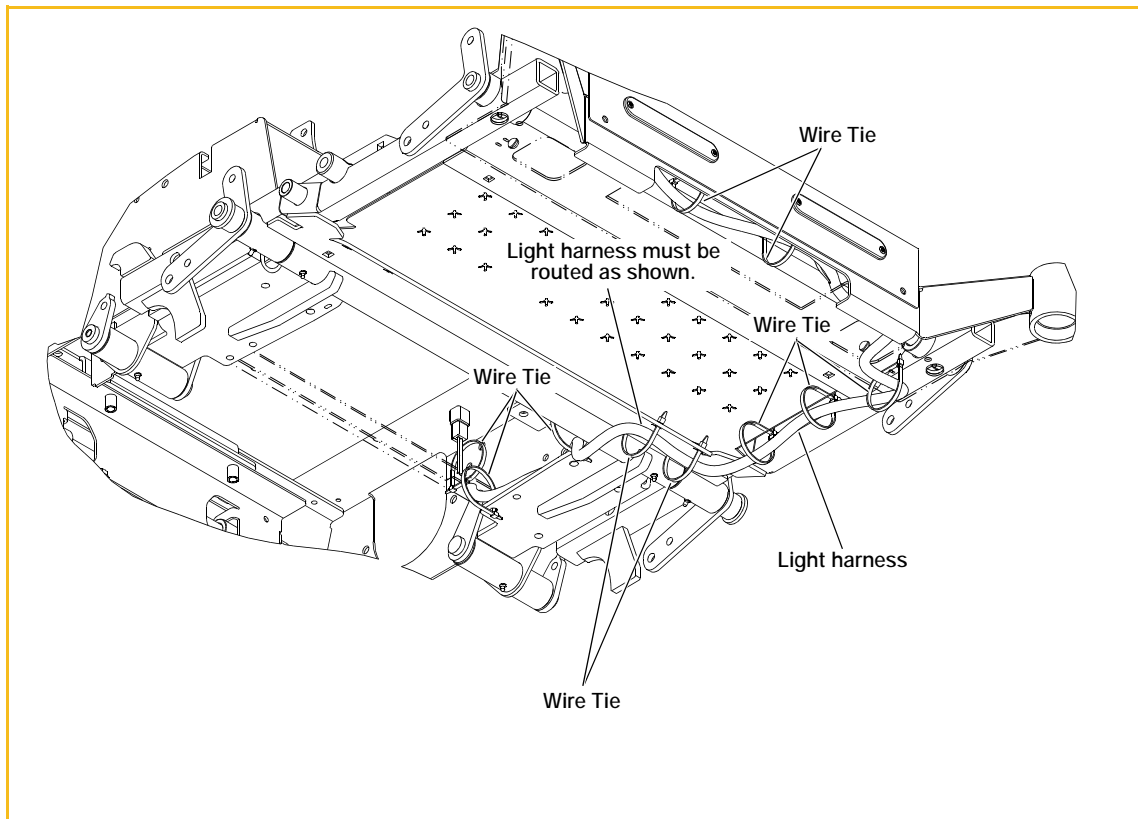


FIG. 5

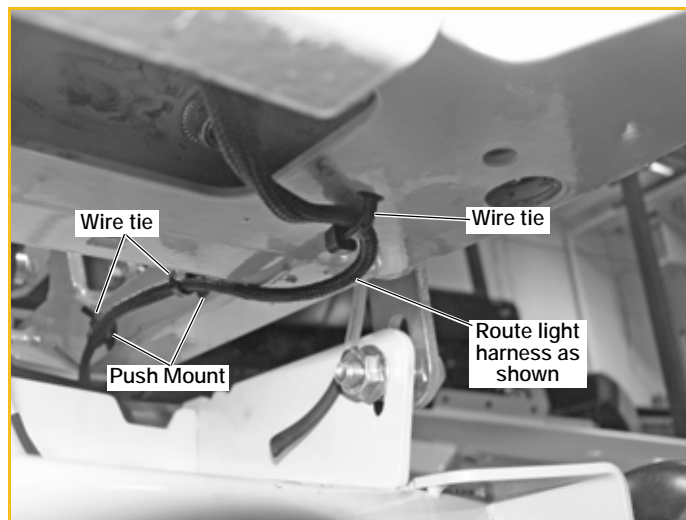


FIG. 6

10. Raise the seat and locate the main harness connector. FIG. 7
11. Remove and discard the plug from the main harness connector. FIG. 7



FIG. 7

12. Pull the light harness, at the light harness connector until all the excess harness is removed from along the mower frame. FIG. 8
13. Insert a push mount into the mower frame and insert a wire tie into the push mount. FIG. 8
14. Connect the light harness to the main harness. FIG. 8
15. Attach the light harness to the mower frame as shown. FIG. 9
16. Position the excess light harness as shown and secure in place with the wire tie. FIG. 8
17. Check the light harness routing and make sure the harness does not come in contact with any moving parts. Correct as necessary.

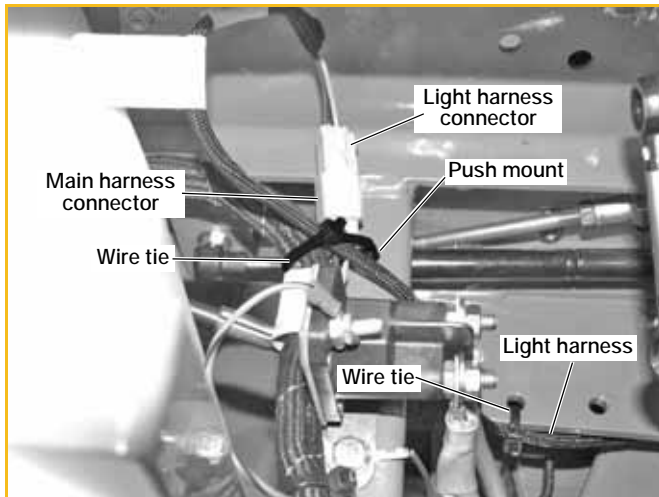


FIG. 8

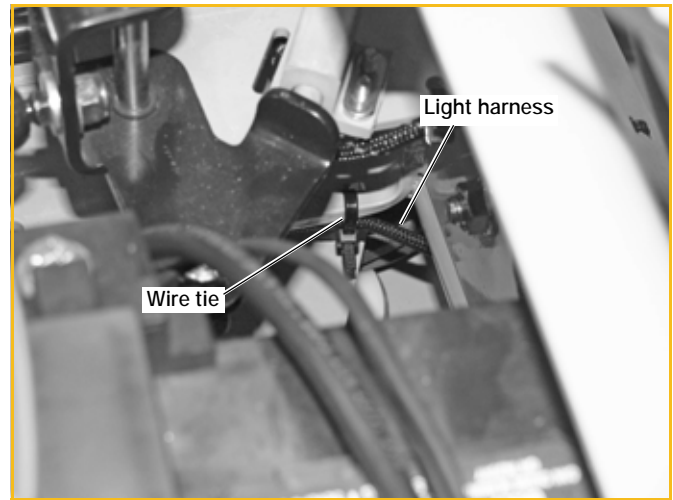


FIG. 9

18. Tighten all wire ties.
19. Return the seat to the operating position.
20. Re-attach the floor panel using the existing hardware.
21. Re-connect the negative battery cable.

NOTE: The lights work whenever the key is in the "RUN" position.