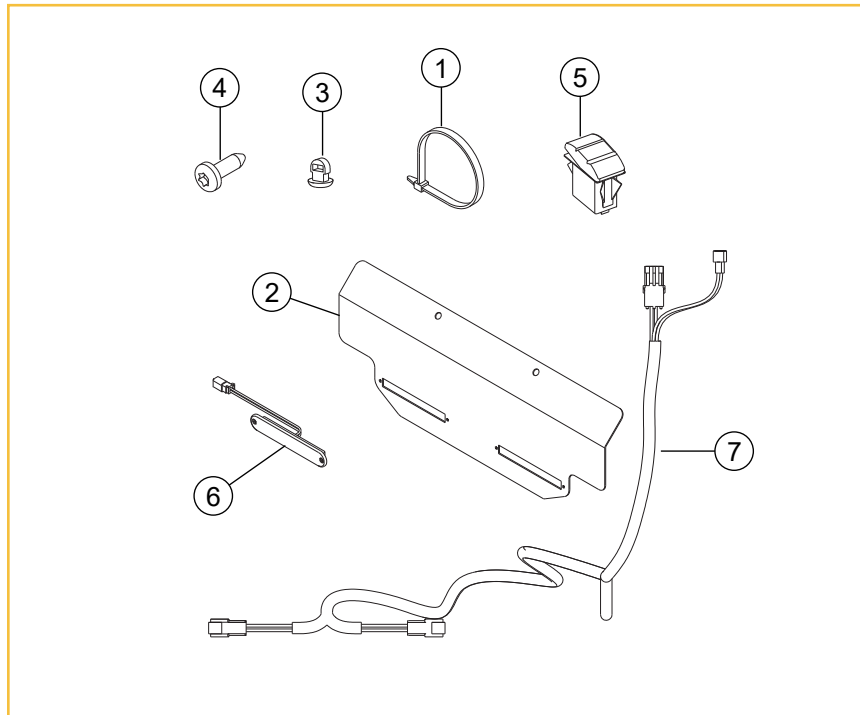


LIGHT KIT

PART NUMBER: 121482

PACKING LIST:

Listed below are parts included in this kit. If any parts are missing or damaged, please contact the Hustler® Parts Department. Retain these instructions for replacement parts.



INDEX NO.	PART NO.	DESCRIPTION	QTY
1	000331	WIRE TIE	13
2	121312	HEADLIGHT MOUNT	1
3	604307	PUSH BUTTON MOUNT	10
4	605225	CS #8-32 X .500 PH TRX	4
5	601116	SWITCH	1
6	605003	LIGHT	2
7	605661	LIGHT HARNESS	1



WARNING



Use extreme caution if it becomes necessary to operate the unit, transporting or mowing, after dark or in low light situations. Only operate in open areas where there are no overhead obstructions; i.e. guide wires, tree branches, low overhangs, etc. Operate only in areas where the operator is thoroughly familiar with the terrain and any potential hazards. The lights are designed to illuminate forward and down and will not illuminate to the side or upward.

ASSEMBLY:

1. Park the mower on a solid, level surface; set the park brakes; shut-off the engine; and remove the ignition key. (Disconnect the negative battery cable.)
2. Insert the headlights into the headlight mount. FIG. 1
3. Attach the light harness to the headlights.
4. Insert push button mounts into the mounting holes located in the headlight mount. FIG. 2
5. Remove the existing front panel and place the headlight mount between the panel and the mower frame as shown. FIG. 1
6. Insert the push button mounts into the mounting holes located in the mower frame and headlight mount. FIG. 3
NOTE: Make sure to insert the push button mounts in from the outside of the frame. The light harness should be secured on the inside of the mower frame.
7. Route the light harness along the inside of the right side mower frame. FIG. 3
8. Remove the right fender.
9. Locate the switch slot on the underneath side of the instrument panel. Using a sharp knife, cut the decal so that the switch can be inserted into the slot. FIG. 4 & FIG. 5
10. Make sure that the "ON" position of the switch is facing forward and snap the switch into the slot. FIG. 6
11. Attach the light harness' two female connectors to the switch. FIG. 7
12. Locate the auxiliary connector on the mower harness. Remove the connector plug from the auxiliary connector and plug the pigtail from the light harness into the auxiliary connector. FIG. 8 & FIG. 9
13. Insert a wire tie through the two slots located in the instrument panel and secure the light harness to the instrument panel. FIG. 10
14. Secure the light harness along the inside of the right side mower frame using the wire ties and push button mounts as shown. FIG. 2 & FIG. 3
15. Re-attach the right fender.

- 16. Re-connect the negative battery cable.
- 17. The lights should only work when the key is in the "RUN" position and the light switch is in the "ON" position.

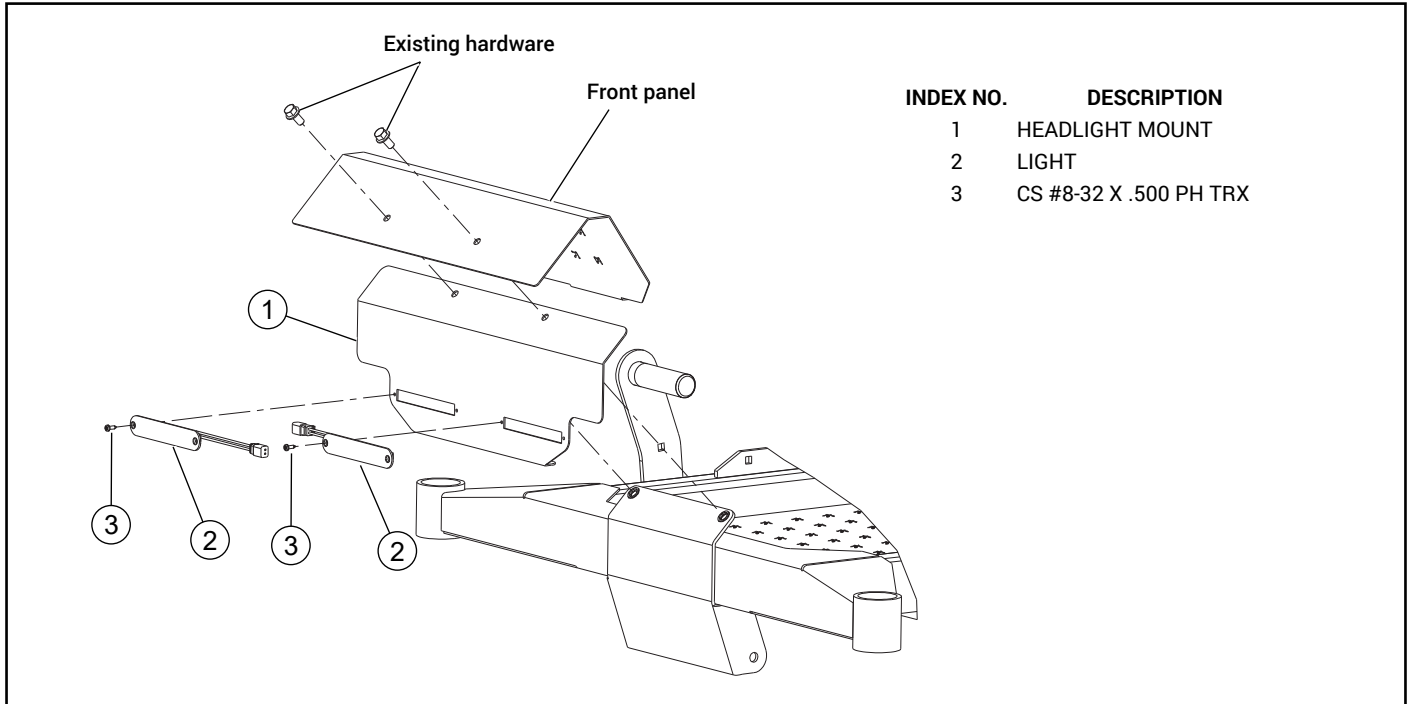


FIG. 1

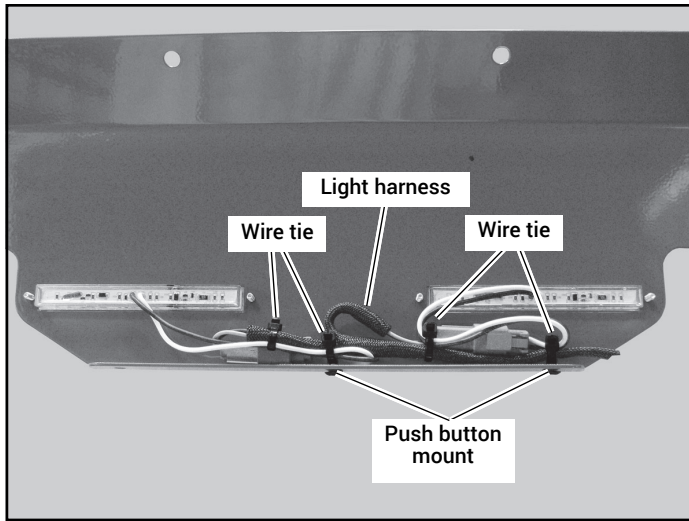


FIG. 2

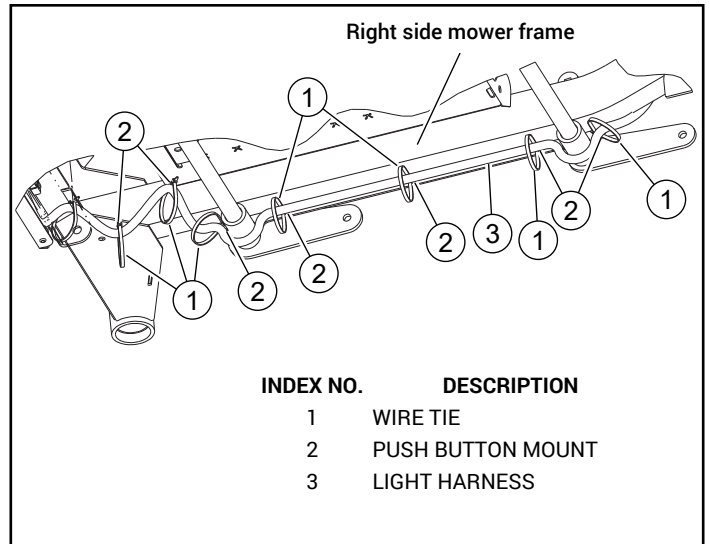


FIG. 3

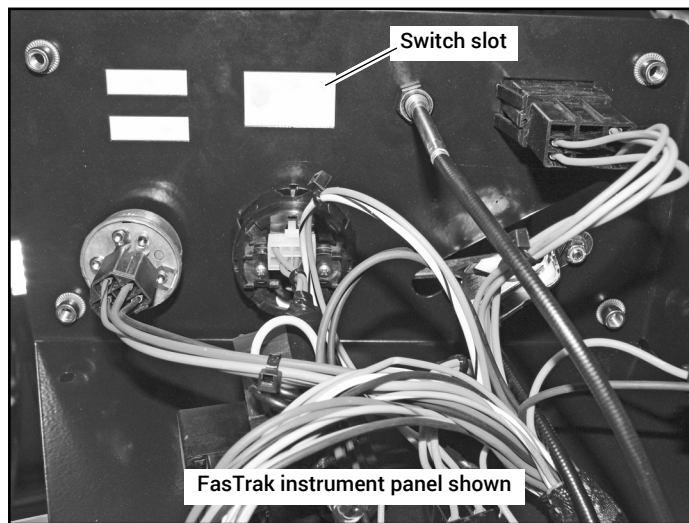


FIG. 4

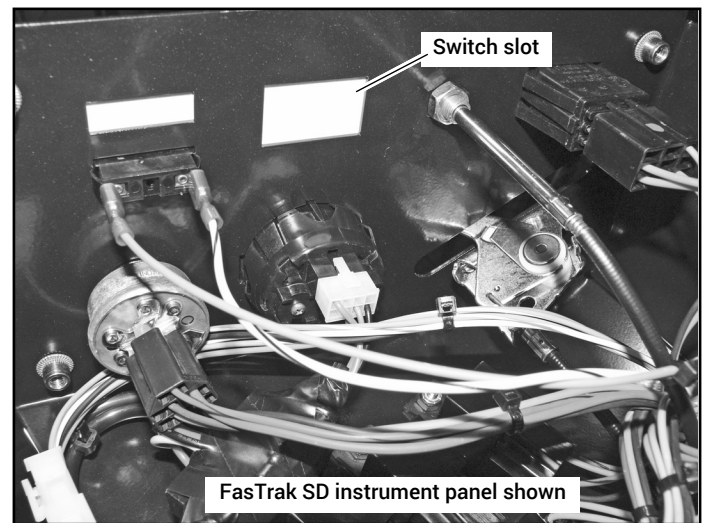


FIG. 5

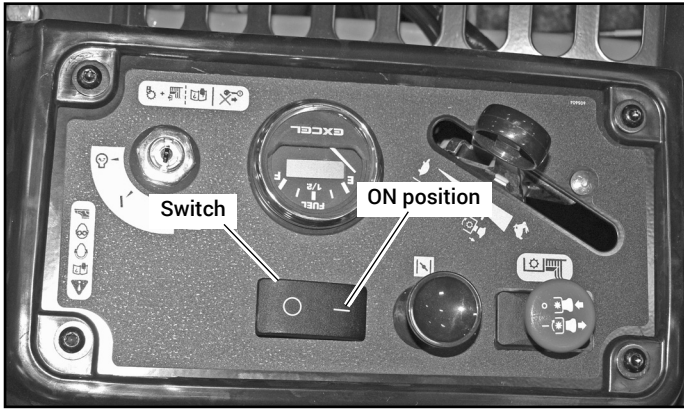


FIG. 6

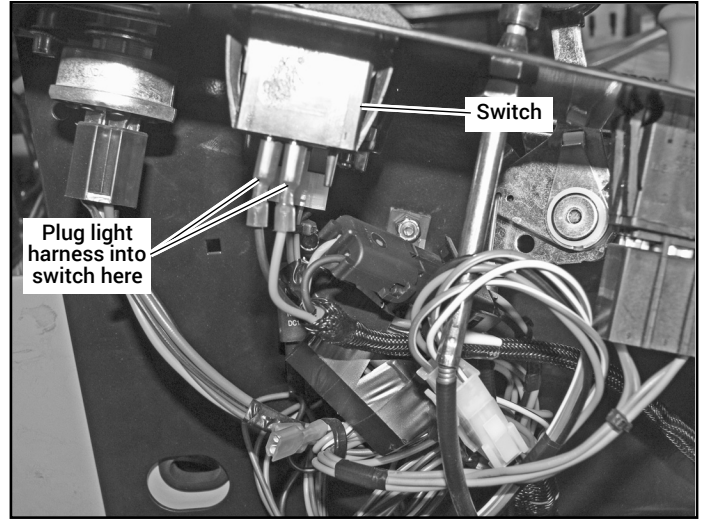


FIG. 7

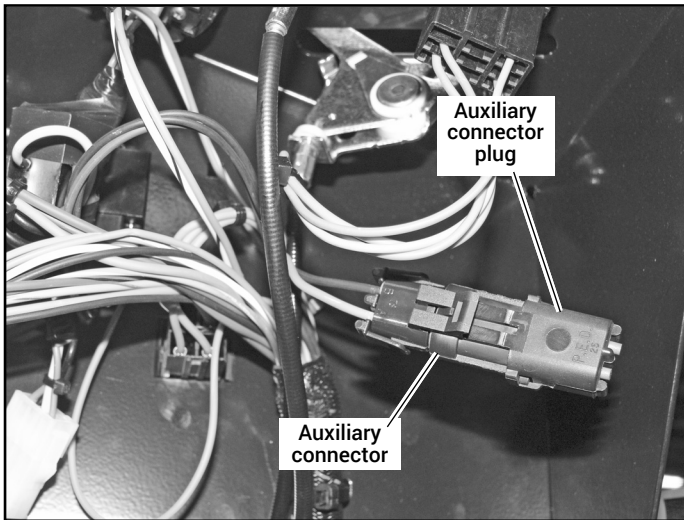


FIG. 8

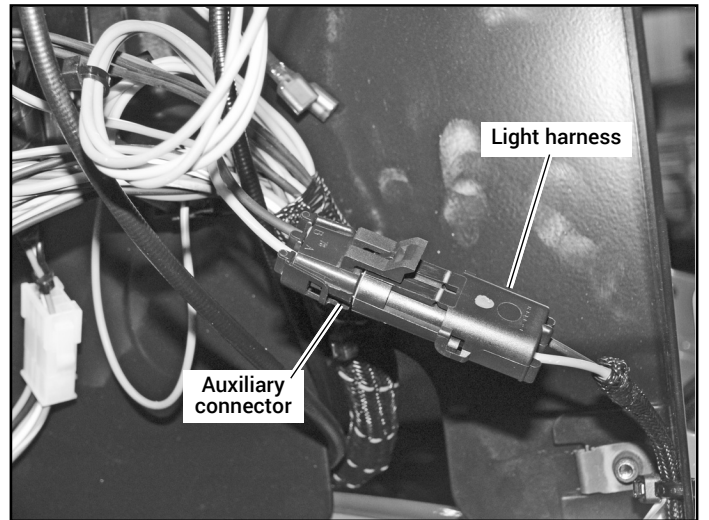


FIG. 9

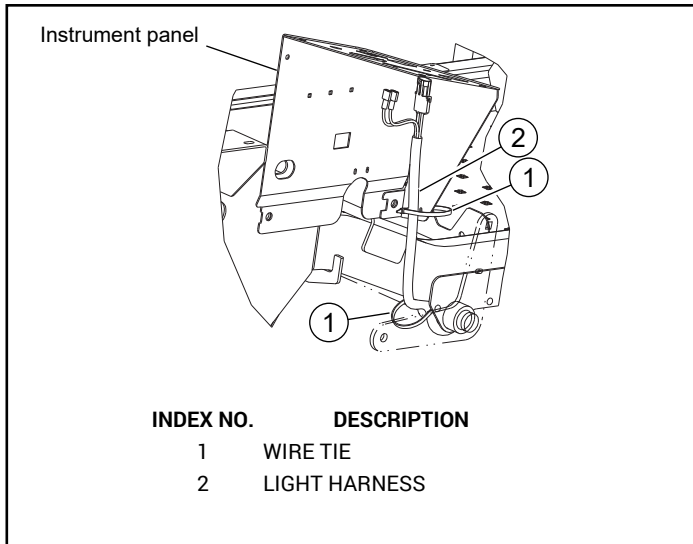


FIG. 10