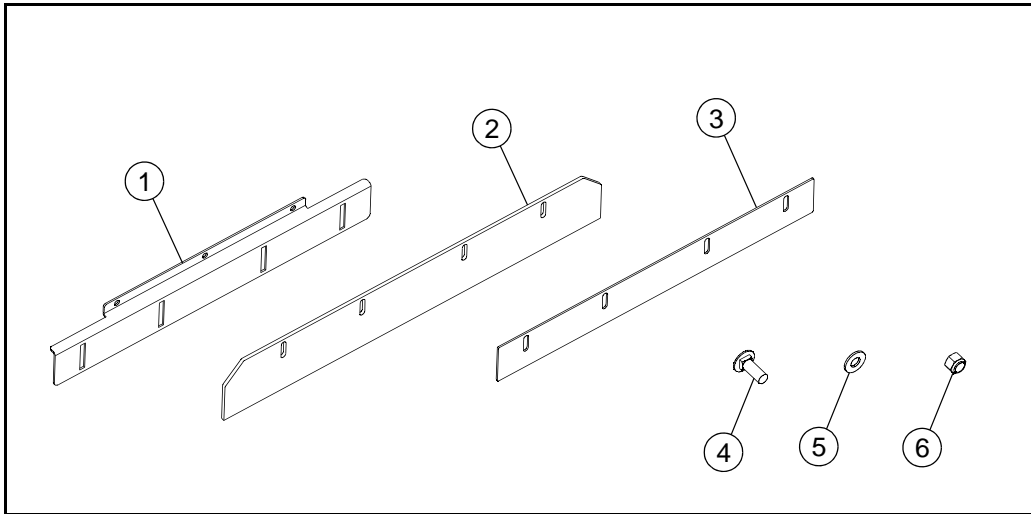


Packing List

Listed below are parts included in this kit. If any parts are missing or damaged, please contact Excel Parts Department. Retain these instructions for replacement parts.



INDEX NO.	PART NO.	DESCRIPTION	QTY
1	121439	STRIPE KIT MOUNTING PLATE	1
2	121441	STRIPE KIT RUBBER FLAP	1
3	121440	STRIPE KIT CLAMP PLATE	1
4	025395	CB .375-16 X 1.00 G5 ZNY	7
5	767954	FW .379 X .813 X .063	7
6	086660	NT .375-16 HX ZY NL	7

WARNING

Mower blades are sharp and can cut. Wrap the blades or wear gloves and use caution when working around them.

Procedures for Hustler® Raptor® / Raptor® SD & BIGDOG® ALPHA™ / ALPHA™ MP mowers

Older mowers will not have the mounting holes in the deck. Therefore, it will be necessary to locate and drill the holes. Newer mowers will have the mounting holes in the deck. Determine which of these versions you have and follow the appropriate instructions.

Decks without holes use the following procedures:

1. Park the mower on a solid, level surface; set the park brakes; shut-off the engine; and remove the ignition key. (Disconnect the negative battery cable.)
2. Remove the deck from the mower.
3. After removing the deck, locate and drill three .406" diameter holes. Fig. 1 or Fig. 2
4. Attach the striper kit to the deck as shown in Fig. 3.

NOTE: It will be necessary to substitute three 3/8-16 x 1.0" hex head bolts (not included) for the carriage bolts as the carriage bolts will not fit properly in the drilled holes.
5. Re-attach the deck to the mower. Make sure deck belt routing is correct.

6. Set the deck at the desired cutting height. The stripe kit can be adjusted to a variety of grass conditions, cut heights and preferences. Positioning the rubber flap closer to the ground will produce a more defined stripe but may tend to tear weaker turf. Moving the clamp plate higher relative to the rubber flap allows the rubber to be more flexible and accommodating to fragile grasses and uneven ground. Moving the clamp plate lower relative to the rubber flap maintains more pressure against the grass. Setting the rubber flap 1" above the ground with the deck set at your normal cutting height is a good starting point. Adjust until the desired striping is achieved.
7. Re-connect the negative battery cable.
8. As the deck was removed from the mower it may be necessary to re-level the deck. Refer to the General Service Manual for that mower. These manuals can be found on-line at the following websites:
 For the Hustler products go to www.hustlerturf.com
 For the BIGDOG products go to www.bigdogmowers.com

Decks with existing holes use the following procedures:

1. Park the mower on a solid, level surface; set the park brakes; shut-off the engine; and remove the ignition key. (Disconnect the negative battery cable.)
2. Attach the striper kit to the deck as shown in Fig. 3.
3. Set the deck at the desired cutting height. The stripe kit can be adjusted to a variety of grass conditions, cut heights and preferences. Positioning the rubber flap closer to the ground will produce a more defined stripe but may tend to tear weaker turf. Moving the clamp plate higher relative to the rubber flap allows the rubber to be more flexible and accommodating to fragile grasses and uneven ground. Moving the clamp plate lower relative to the rubber flap maintains more pressure against the grass. Setting the rubber flap 1" above the ground with the deck set at your normal cutting height is a good starting point. Adjust until the desired striping is achieved.
4. Re-connect the negative battery cable.

Procedures for Hustler FasTrak® / FasTrak® SD & BIGDOG STOUT™ / STOUT™ MP mowers

1. Park the mower on a solid, level surface; set the park brakes; shut-off the engine; and remove the ignition key. (Disconnect the negative battery cable.)
2. Attach the striper kit to the deck as shown in Fig. 3.
NOTE: Make sure the top edge of the mounting plate, rubber flap, and clamp plate are aligned.
3. Set the deck at the desired cutting height. The stripe kit can be adjusted to a variety of grass conditions, cut heights and preferences. Positioning the rubber flap closer to the ground will produce a more defined stripe but may tend to tear weaker turf. Moving the clamp plate higher relative to the rubber flap allows the rubber to be more flexible and accommodating to fragile grasses and uneven ground. Moving the clamp plate lower relative to the rubber flap maintains more pressure against the grass. Setting the rubber flap 1" above the ground with the deck set at your normal cutting height is a good starting point. Adjust until the desired striping is achieved.
4. Re-connect the negative battery cable.

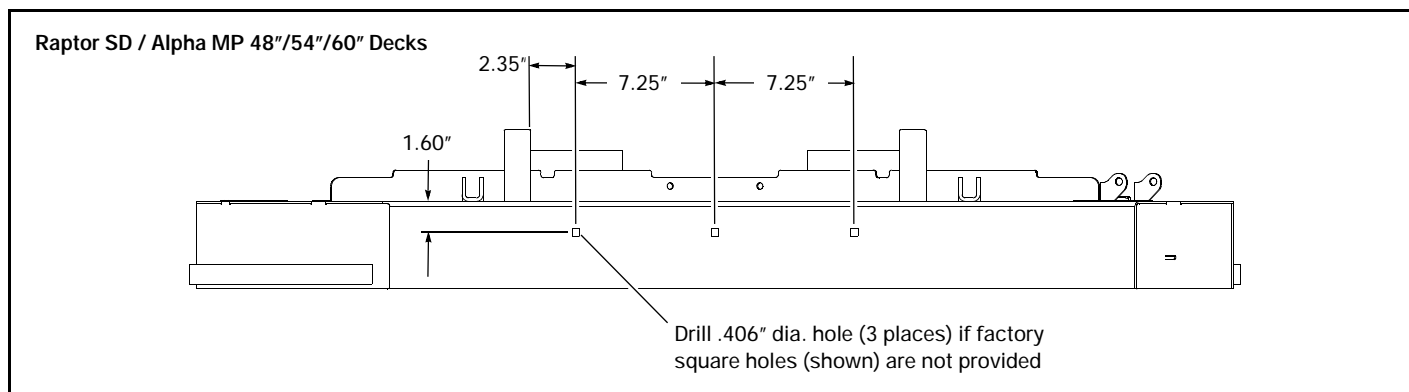


FIG. 1

Raptor / Alpha 52" Decks

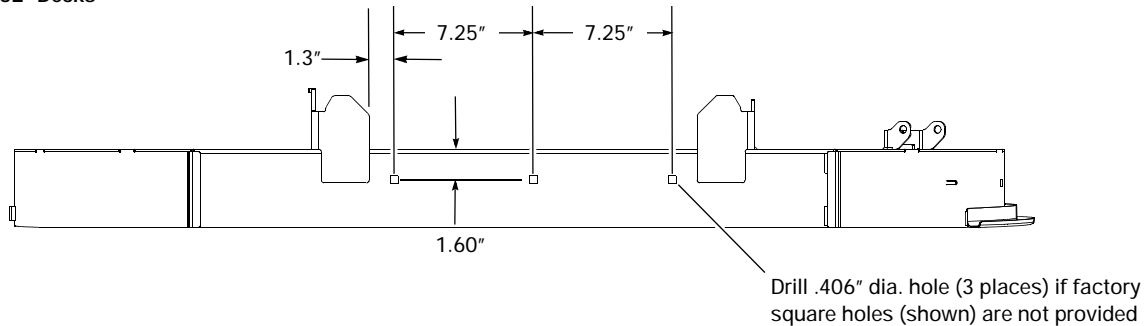


FIG. 2

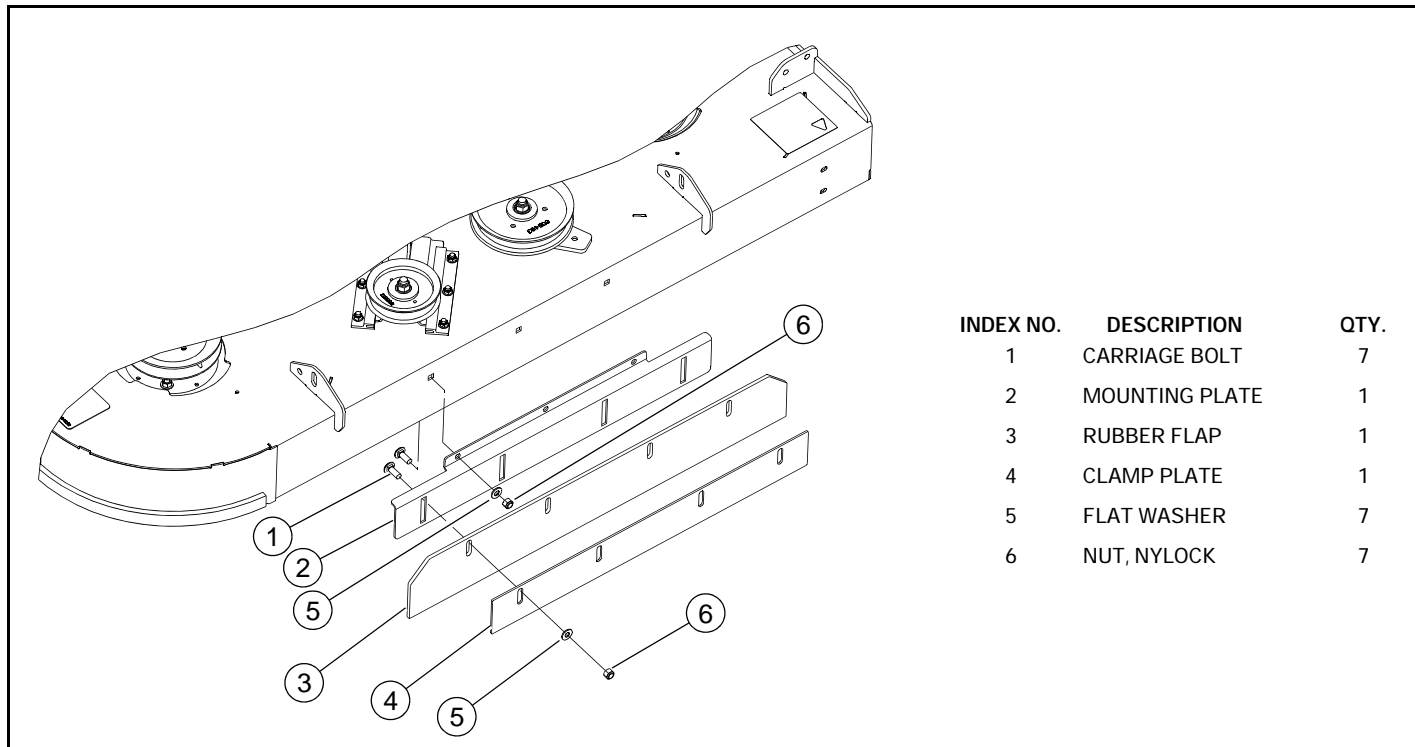


FIG. 3