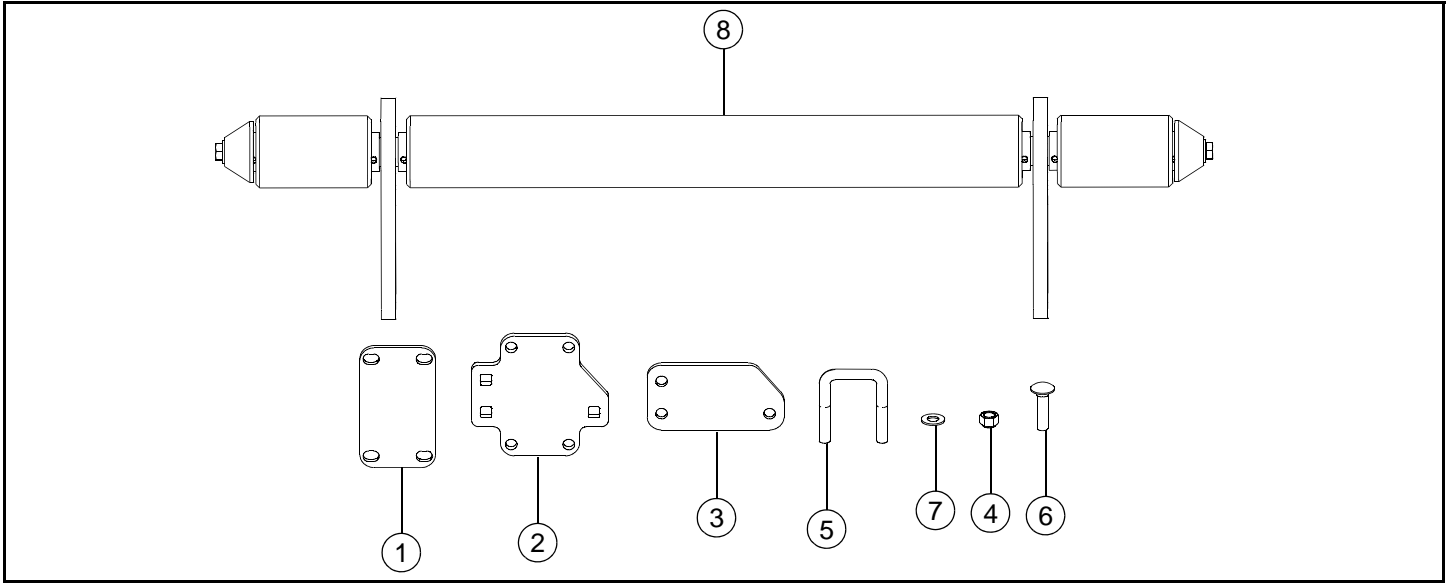


**Stripe Roller Kit**  
**Part Number 116840**  
**Part Number 116841**  
**Part Number 116842**  
**Part Number 116843**  
**Part Number 116844**

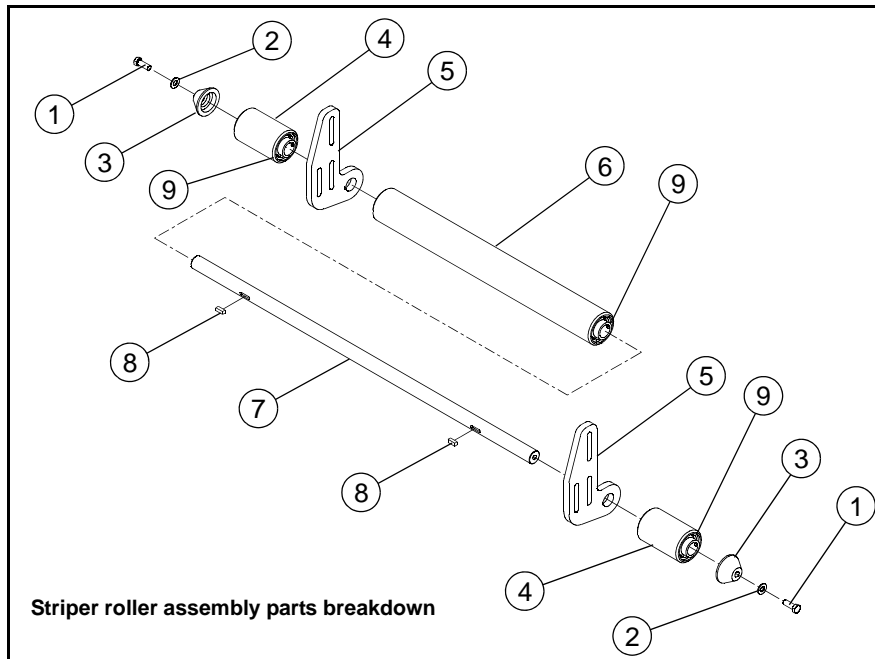
**Instruction No. 116839**

**Packing List**

Listed below are parts included in this kit. If any parts are missing or damaged, please contact your Dealer. Retain these instructions for replacement parts.



INDEX NO.	PART NO.	DESCRIPTION	QTY
1	116471	BACKING PLATE	2
2	116472	MOUNTING PLATE	2
3	116473	CLAMP PLATE	2
4	086660	NT .375-16 HXZY NL	14
5	601300	U-BOLT	4
6	710194	CB .375-16 X 1.50 STD G5	6
7	767954	FW .406 X .812 X .060 SAE	14
8	N/A	ROLLER ASSEMBLY	1



INDEX NO.	PART NO.	DESCRIPTION	QTY
1	036244	CS .375-16 X 1.00 HX G5	2
2	767954	FW .406 X .812 X .060 SAE	2
3	116480	END CAP	2
4	116476	ROLLER (KIT 116840 & 116844)	2
	116835	ROLLER (KIT 116841 & 116843)	2
	116834	ROLLER (KIT 116842)	2
5	116474	ROLLER BRACKET	2
6	116478	CENTER ROLLER (KIT 116840, 116841 & 116842)	1
	116836	CENTER ROLLER (KIT 116843 & 116844)	1
7	116475	ROLLER SHAFT (KIT 116840)	1
	604099	ROLLER SHAFT (KIT 116841)	1
	604097	ROLLER SHAFT (KIT 116842)	1
	604101	ROLLER SHAFT (KIT 116843)	1
	604103	ROLLER SHAFT (KIT 116844)	1
8	712372	KEY 1/4 SQ X 0.66 LG	2
9	604010	BEARINGS	6

## Assembly

1. Park the mower on a solid, flat, level surface; set the park brakes; shut-off the engine; and remove the ignition key. (Disconnect the negative battery cable.)
2. To install this kit it will be necessary to remove the drive wheels. Raise the rear of the mower high enough to allow the drive wheels to be removed. Place the mower on jack stands and remove the wheels.



## WARNING



Use only appropriate vehicle stands, with a minimum weight rating of 2000 pounds to block the unit up. Use in pairs only. Follow the instructions supplied with the vehicle stands.

3. Attach the backing plates and mounting plates to the pusher arms. Align the three bolt square hole pattern of the mounting plate as shown. Fig. 1

**NOTE:** The front edge of the plates should be .25" from the pusher arm crossmember as shown. Fig. 2

4. Slide the stripe roller into position and insert the carriage bolts through the mounting plate and the roller bracket as shown. Place the clamp plates in position and secure with the flat washers and nuts. Fig. 1
5. Re-attach the drive wheels. Torque lug nuts to 65–75 ft. lbs (88–102 N•m).
6. Raise the mower and remove the jack stands. Lower the mower.
7. Re-attach the negative battery cable.
8. **Stripe roller height adjustment** – The stripe roller can be adjusted up and down depending upon the pressure desired for the grass being cut. The roller height adjustment range is 1.6" to 3.6" below the cutting height. It is best to maintain at least .5" of clearance between the roller and the ground to prevent undue wear on the roller. Fig. 3

To adjust the roller height, loosen the hardware on the clamp plates and slide the stripe roller up or down until the desired height is attained and then retighten the hardware. Fig. 3

**NOTE:** For best performance the roller must be level from side to side.

Below are two methods to set the roller height. These will ensure that the roller is level from side to side. The stripe roller can be adjusted up and down depending upon the pressure desired for the grass being cut. The roller height adjustment range is 1.6" to 3.6" from the bottom of the roller to the cut height. It is best to maintain at least .5" of clearance between the roller and the ground to prevent undue wear on the roller.

1. If you want to set the roller at approximately 2" below the blades, lower the deck to a cutting height of 2". Loosen the clamp plates and lower the roller until it rests on the ground and re-tighten the clamp plate hardware.
2. Set the deck to the desired cutting height. Decide how far below the blades or above the ground you want the roller positioned. Then, using blocks that are of the proper height, rest the roller on them. Tighten the roller hardware. Using the blocks will keep roller level.

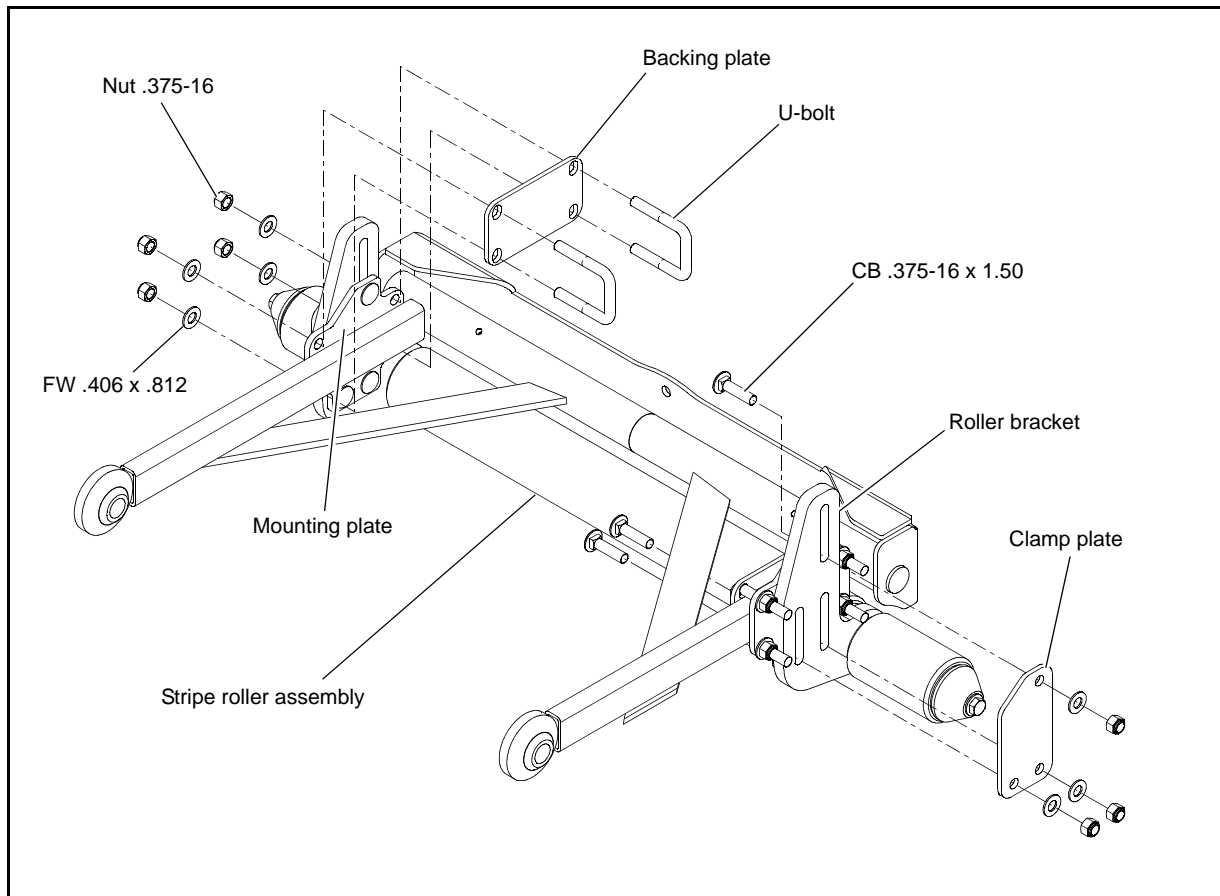


FIG. 1

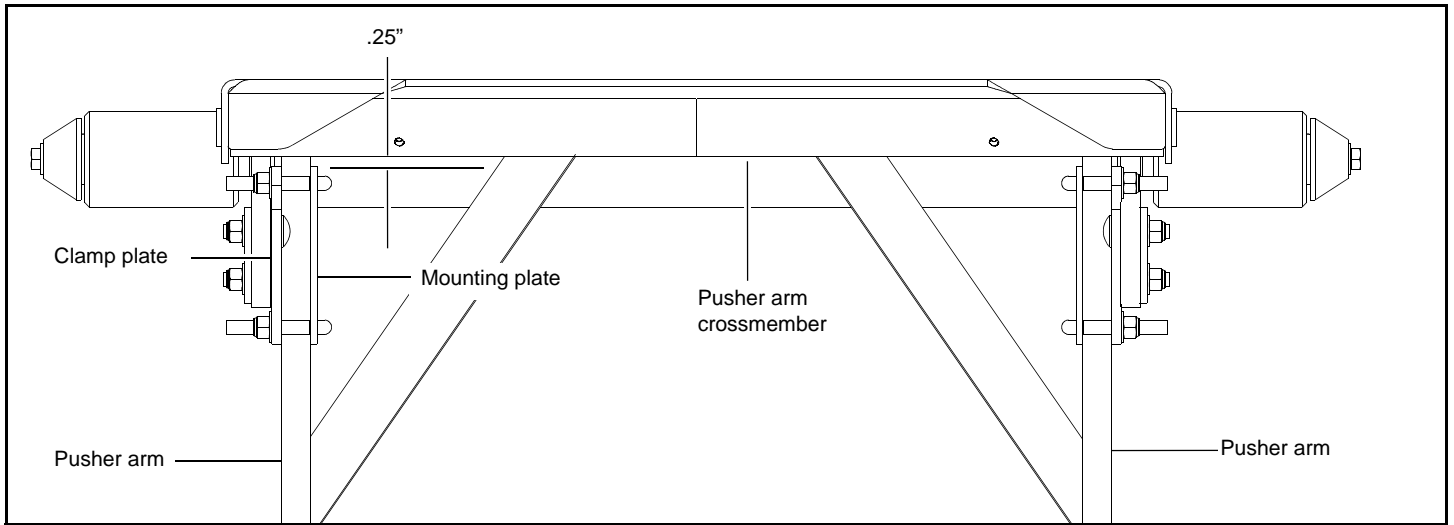


FIG. 2

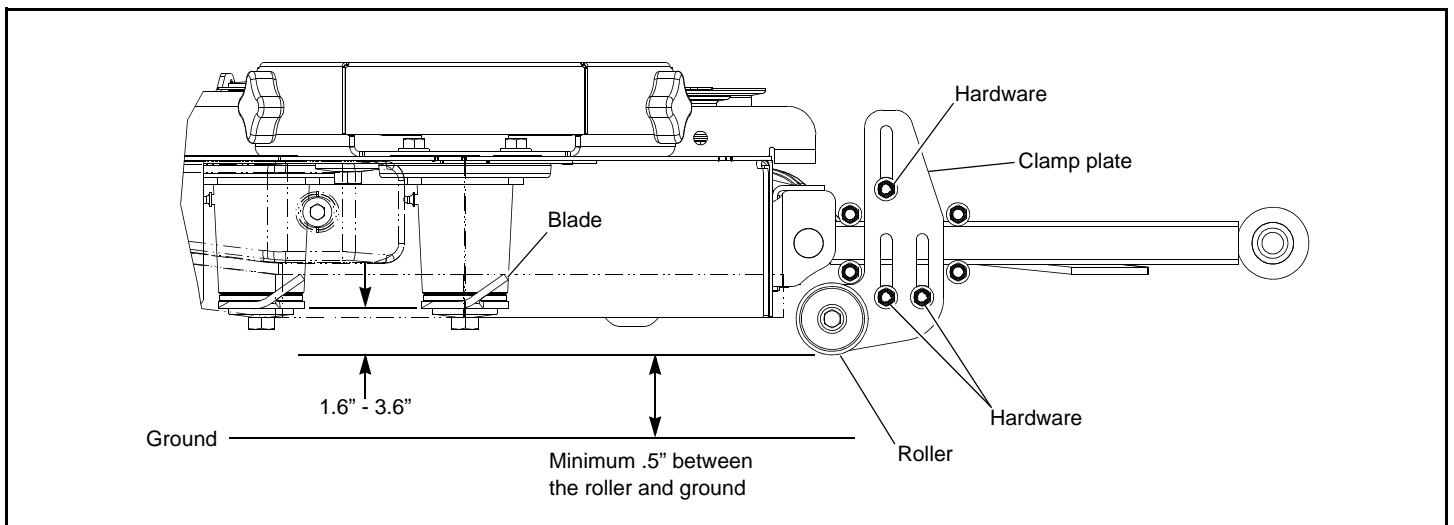


FIG. 3