

Refer to the illustrated parts list for the listing of parts included in this kit. If any parts are missing or damaged, please contact Excel Industries, Inc.

Assembly

1. Park the tractor on a solid, level surface, set park brakes, shut-off engine and remove ignition key. Disconnect negative battery cable.
2. Raise the front of the mower and deck up until the anti-scalp wheel kit can be installed. Place the mower securely on the jack stands and do not allow the mower to move. Chock the rear wheels.



WARNING: Use only appropriate vehicle stands, with a maximum weight rating of 2000 pounds to block the unit up. Use in pairs only. Follow the instructions supplied with the vehicle stands.



WARNING: Exercise caution when working under the deck as the mower blades are extremely sharp. Wrap the blade(s) or wear gloves and use extra caution when servicing them.

3. Attach the anti-scalp wheel kit to the deck as shown.
4. Remove the jack stands and lower mower.
5. Re-connect the negative battery cable. Make sure the seat platform is securely fastened before operating.
6. The unit is now ready to operate.

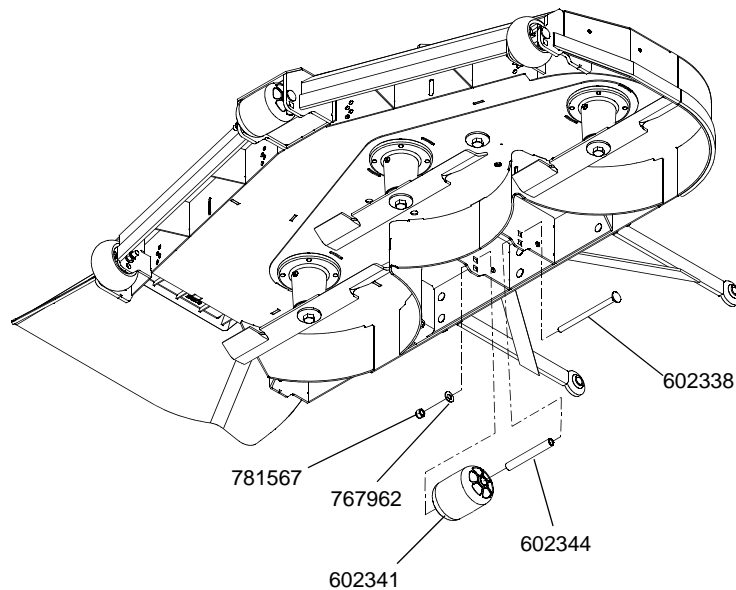


Fig. 1

P/N	Description	Qty
602338	CB .500-13 X 7.50 STD ZV	1
767962	FW .531 X 1.06 X .09 SAE HRD ZN	1
781567	NT. .500-14 HX G5 ZN NY	1
602344	ANTI-SCALP SPACER 5.73 (60"/66")	1
602341	ANTI-SCALP WHEEL	1