

Caution Light Kit:

Instruction No. 110468

Hustler® Diesel Z, Super Z, Super Z HD and Super 104 Part Number 110467

Parts List

Listed below are parts included in this kit. If any parts are missing or damaged, please contact Hustler® Parts Department. Retain these instructions for replacement parts.

ITEM	P/N	DESCRIPTION	QTY
1	601671	CAUTION LIGHT	1
2	109679	CAUTION LIGHT BRACKET	1
3	601301	U-BOLT FST/MNZ JAC KIT	2
4	767954	FW .406 X .812 X .060 SAE HRD ZN	4
5	054502	NT .375-16 HX G5 ZN	4
6	601552	WIRING HARNESS	1
7	704932	FW .219 X .500 X .048 ZN	3
8	063198	CS 10-24 X .750 HXFLK ZN	3
9	059832	NT 10-24 HX NL ZN	3
10	000430	TIE, BLK CABLE, 15" LONG	4

Assembly

1. Park the mower on a solid, level surface, set park brakes and shut-off engine.
2. Attach the caution light to the mounting plate. Fig. 1 and Fig. 2
3. Attach the mounting plate with U-Bolts to the ROPS structure.

NOTE: For Diesel Z mowers make sure the plate extends toward the front of the mower. Fig. 1

NOTE: For Super Z, Super Z HD and Super 104 mowers make sure the plate extends toward the rear of the mower. Fig. 2

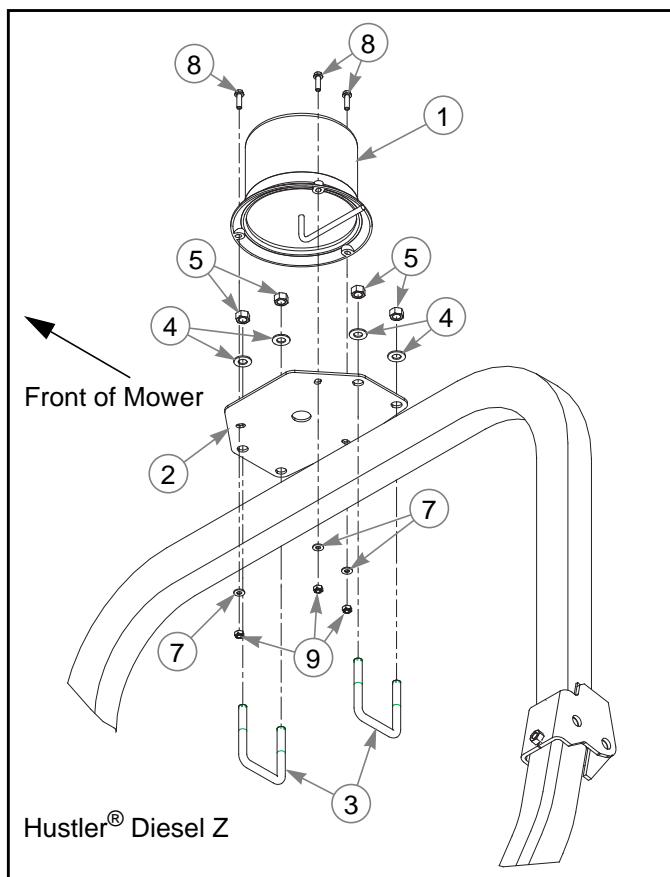


Fig. 1

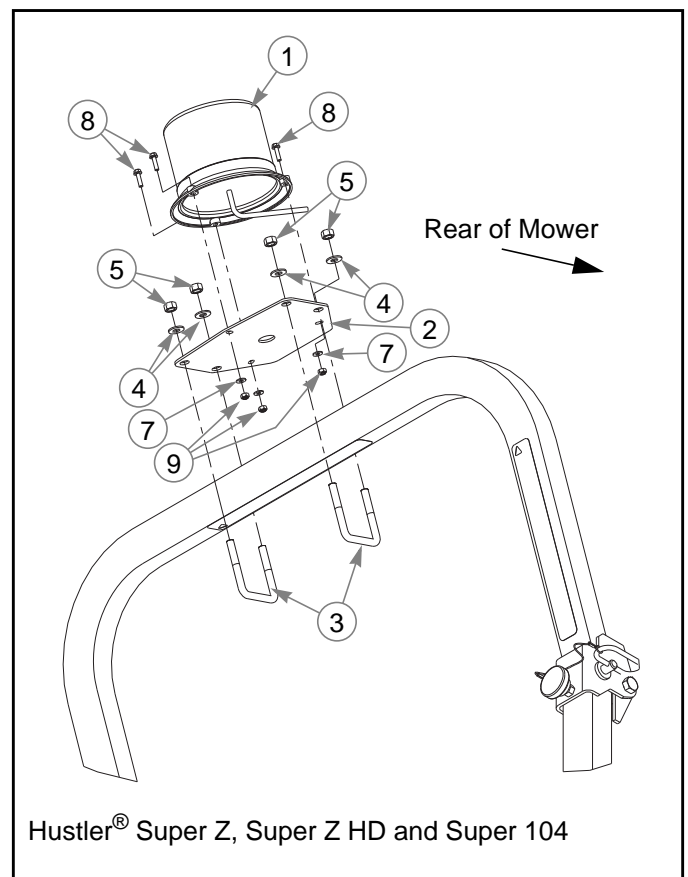


Fig. 2

4. Plug the caution light fixture into the wire harness. Tie the wire harness to the ROPS in the specified locations. Route the wire harness down the right side ROPS post. Leave slack in the harness at the ROPS pivot joint. Fig. 3

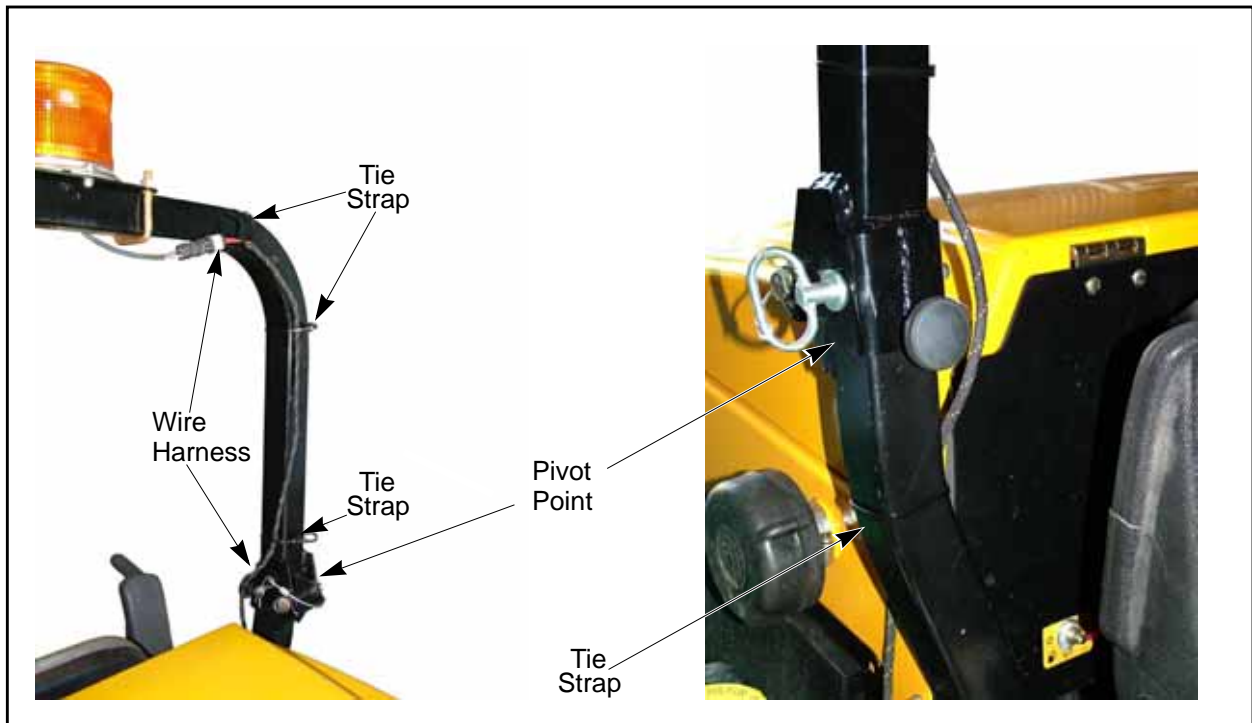


Fig. 3

5. Remove the instrument panel. Locate the accessory plug on the mower's wire harness and plug the caution light harness into the accessory plug. Fig. 4
6. Reattach the instrument panel and route the wire harness through the opening at the lower rear of the control panel. Make certain that no wires get pinched. Fig. 4

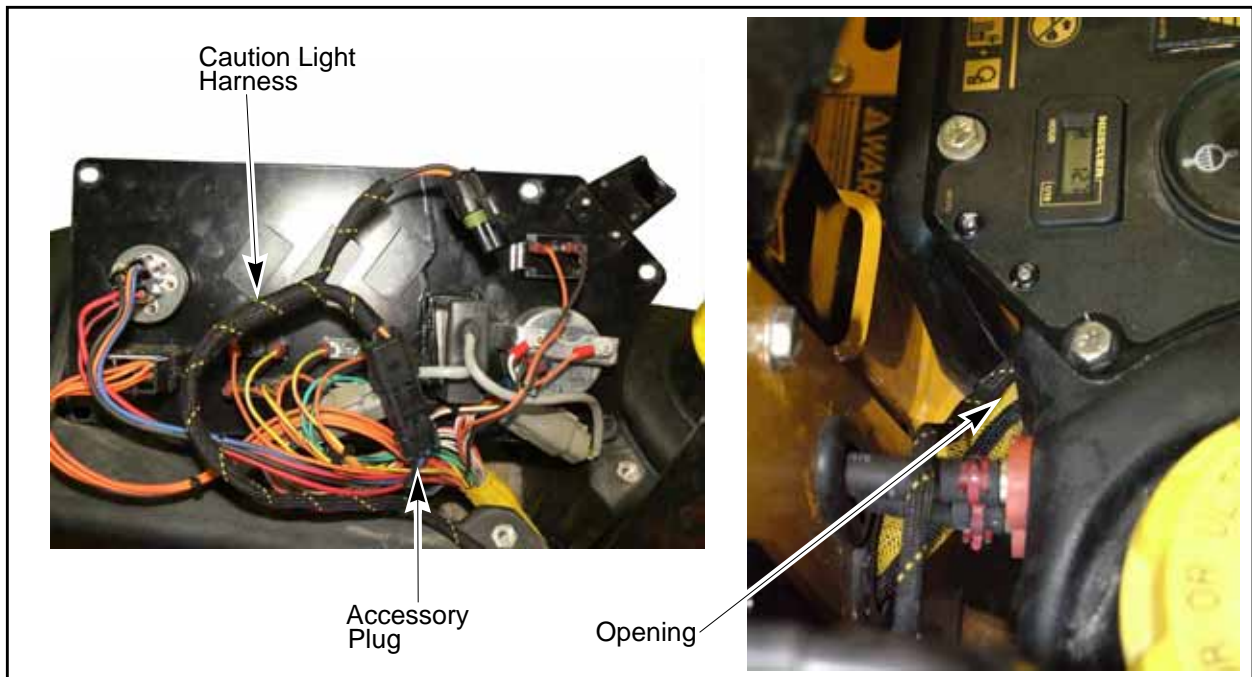


Fig. 4

NOTE: The caution light will turn on whenever the ignition switch is in the run position.

NOTE: Should a mower be equipped with more electrical accessories, put the light's wire harness at the end of the accessory chain, since it does not have an extra connector. Fig. 5

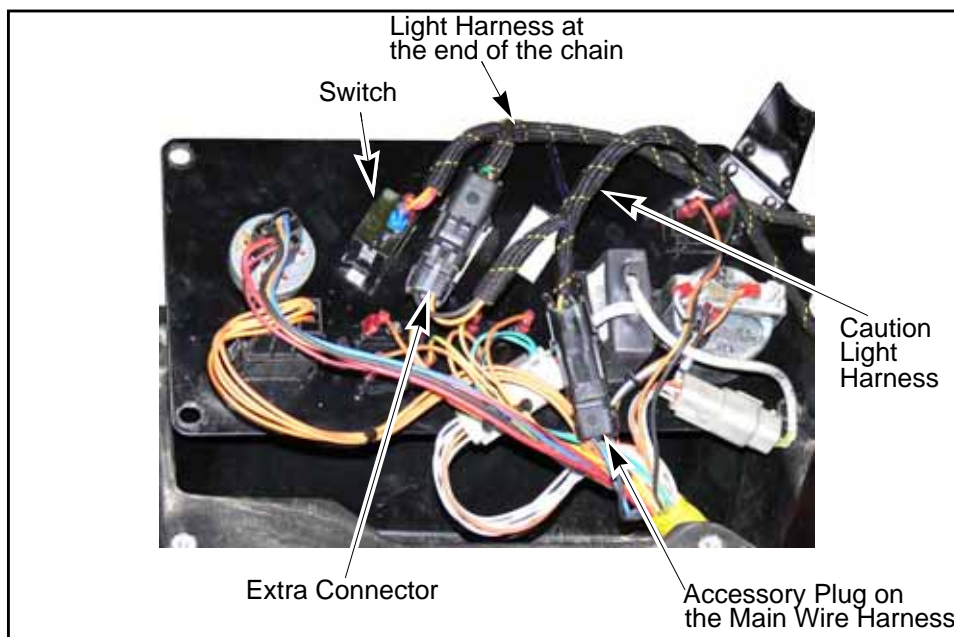


Fig. 5



The wiring system on Hustler® Turf equipment is designed for use with Hustler® Turf electrical attachments. Use only Hustler® Turf electrical attachments with your mower.