

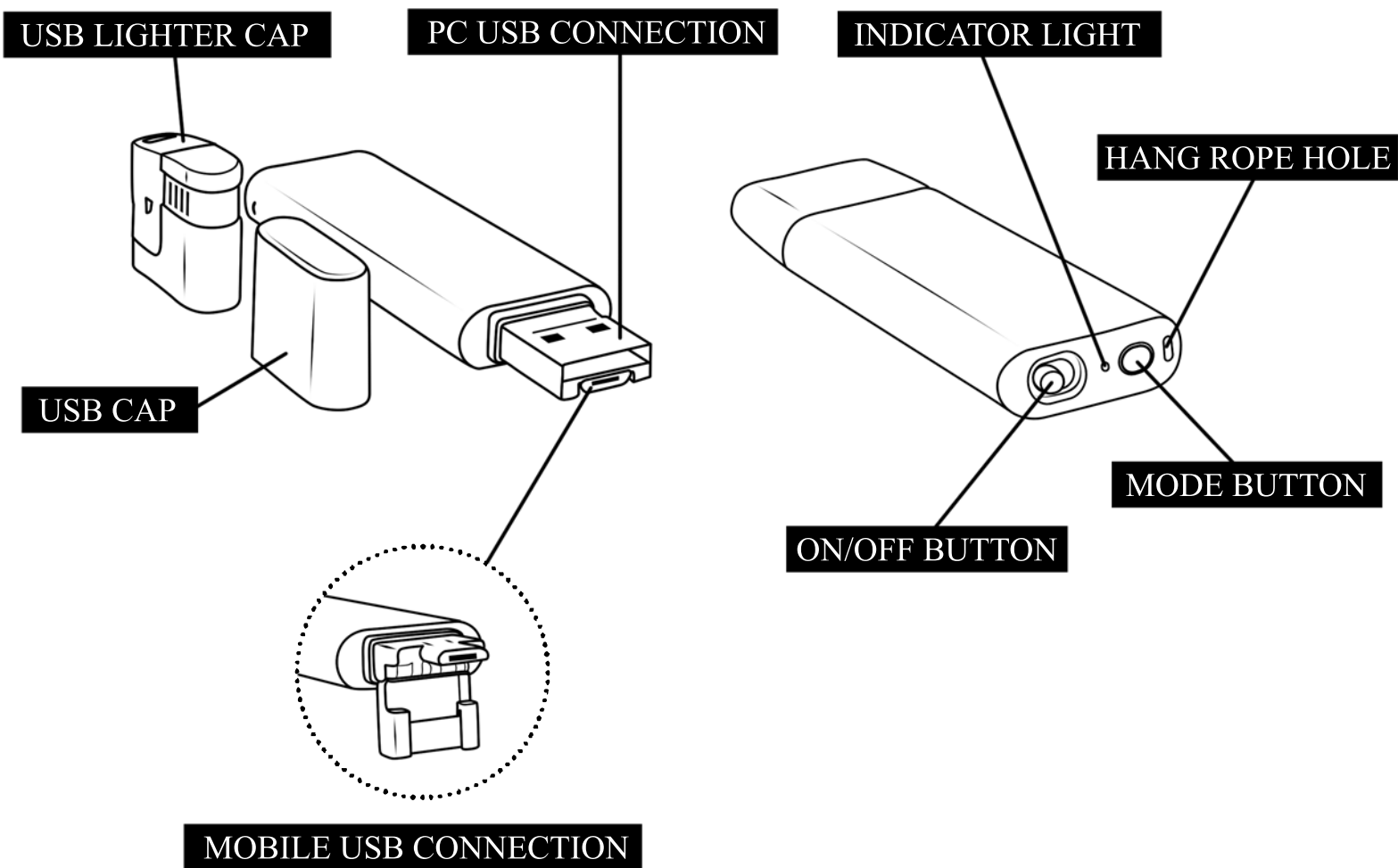


LightREC Voice Recorder

User's manual

Please Read User's Manual Before First Use. Thank you!

Appearance and Buttons

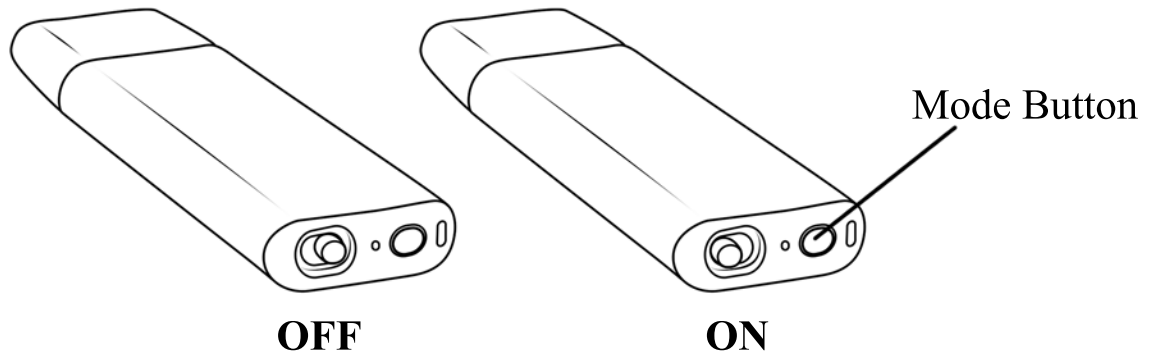


INSTRUCTIONS

Slide the “ON/OFF” button to “ON” (to the side of the device) to start recording – a red LED will light for 5 seconds; then a blue light will blink 5 times to confirm recording mode, after which the LED will turn off and remain off during the recording.

One Button Recording

Press “Mode” button to shift between recording modes. The device comes in preset “continuous mode”. Check the blue light to confirm recording mode as in continuous mode the light blinks slower than in voice activated mode.

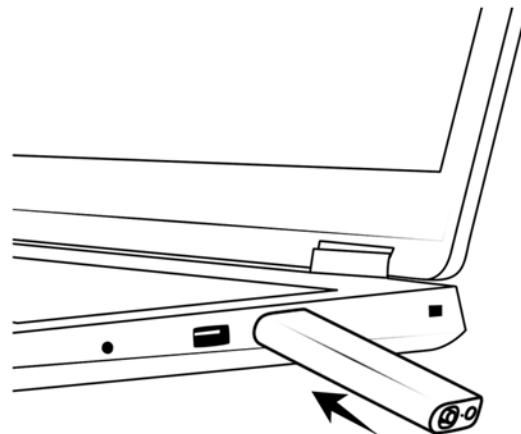


Stop Recording

To stop recording just slide the “ON/OFF” button to the “OFF” position (toward the “Mode” button). The LED indicator light will blink once to confirm the lightREC stopped recording and saved the audio file automatically.

Playback

Make sure the device is OFF before connecting it to your computer to playback recordings. To access the audio files, go to the folder “RECORD” and select the file you want to listen to. We recommend using VLC player or BS player to playback recordings.

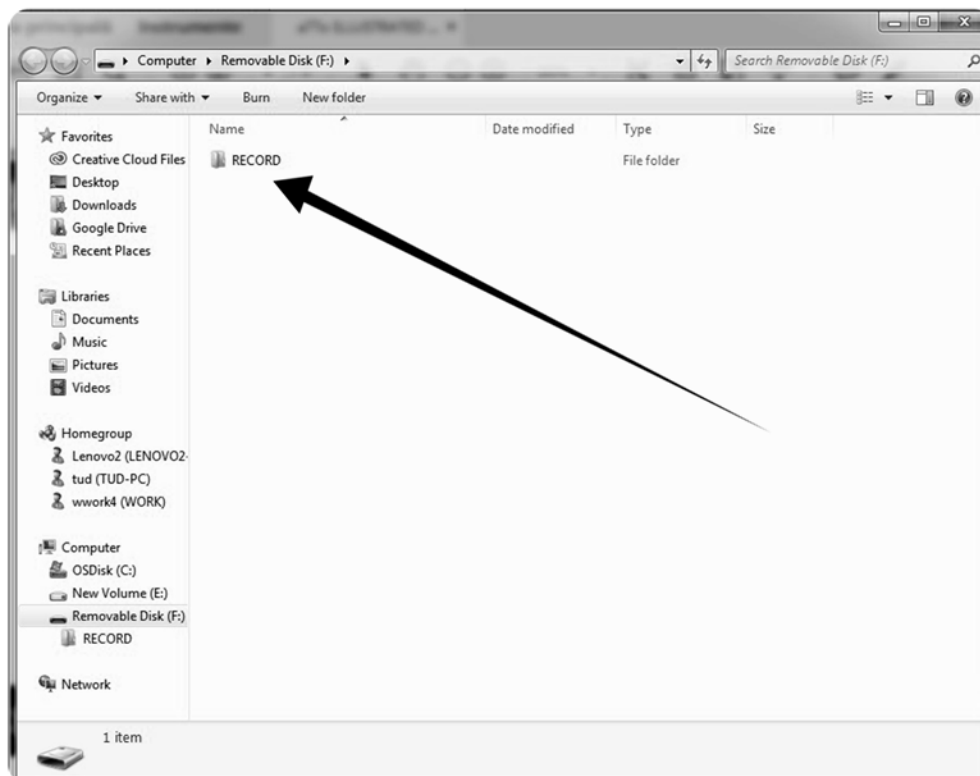


If you connect the recorder to a Windows PC a menu will pop-up. Please select “Open folder to view files”.

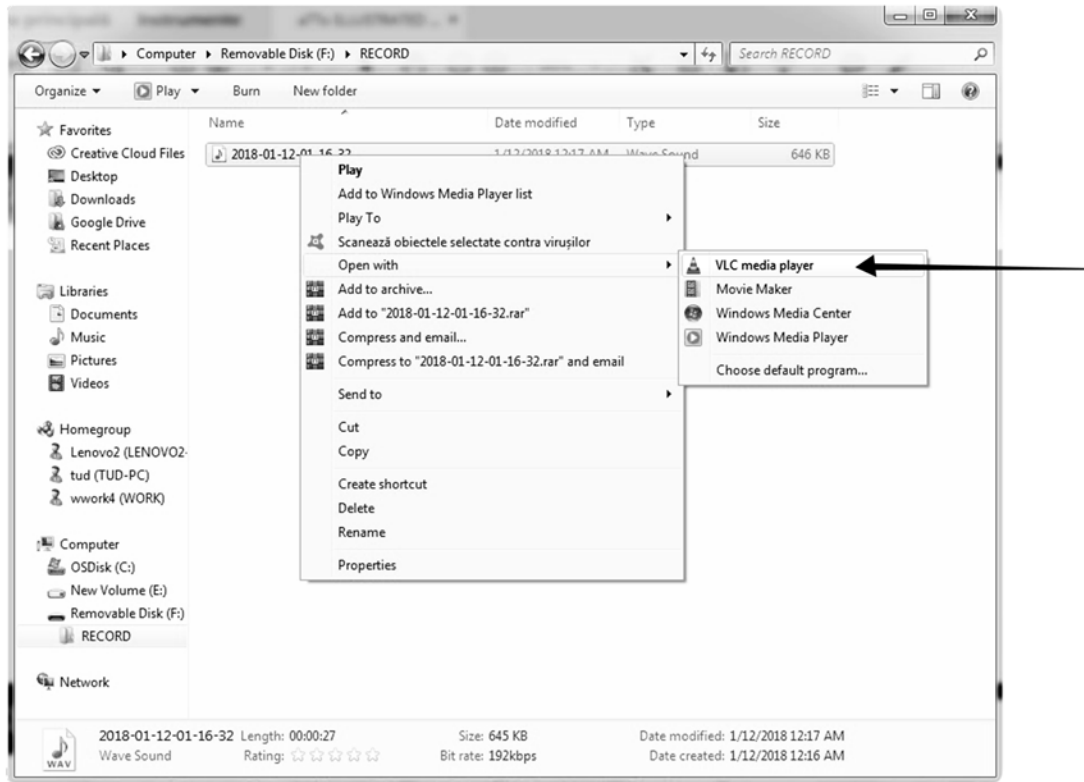


Select to access the partition with the folder “RECORD”

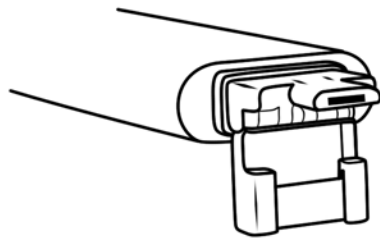
Enter folder to access audio files



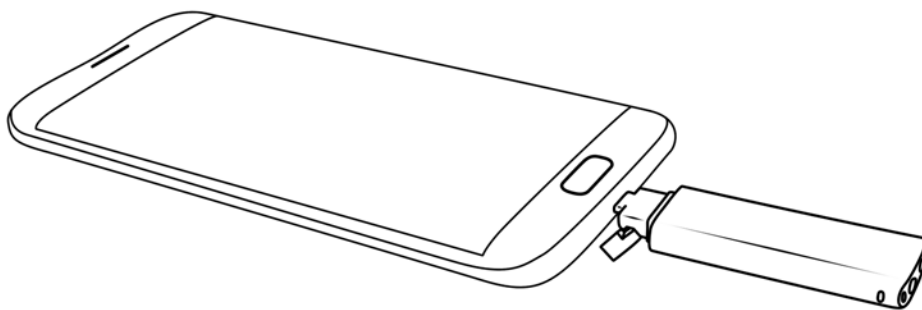
Select the audio file you want to playback, right-click to open menu and choose “Open with” VLC media player (or any player that can playback .wav files)



Playback using an android phone

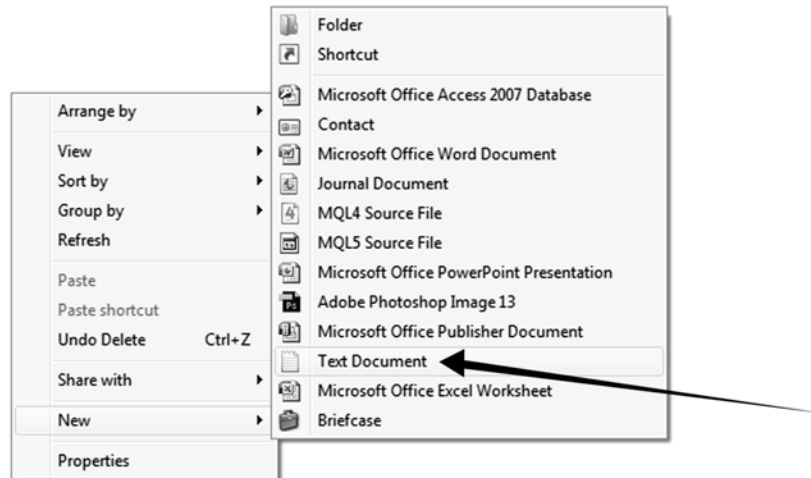


After this step, you can connect it to a smartphone - NO IPHONE.



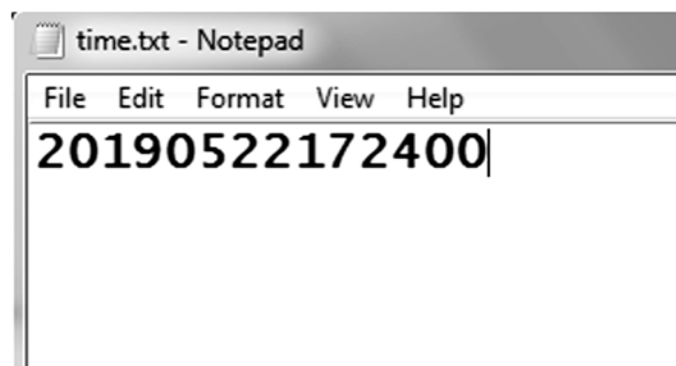
Setting Time

Connect the device to your computer to access the folder RECORD. Right-click in the folder to select option “NEW” -> “Text Document”.



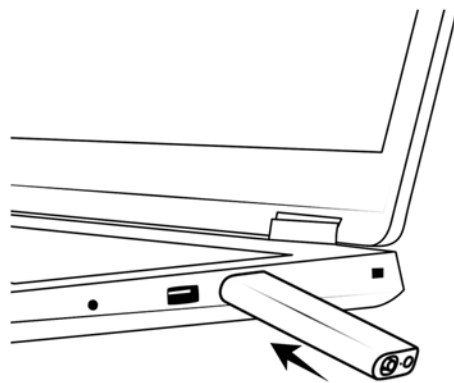
Name the new text file “time”. Open it with any text editor on your computer and input your current time and date in the following format: YYYYMMDDHHMMSS , where YYYY - is four digit year (ex. 2019), MM - is 2 digit month (ex. for May is 05), DD - 2 digit day (ex. if today is the 3rd - you must put 03). HH - means 2 digit hour in the 24 hours format (not a.m. or p.m.) - ex. for the time clock 5 P.M. you must use the digit 17, for 6 A.M. is 06, etc; mm - is 2 digit format for minutes and SS - is 2 digit format for seconds.

For example, if today would be the 22nd of May 2019, time 05:24 P.M. you should have in the time.txt file the following string of digits: 20190522172400 (no spaces before or after the string of digits).



NOTE: Make sure to save the file in the folder “RECORD” below the subfolder “VOICE”. Then disconnect the recorder from your computer and perform a test recording.

Charging



Make sure to have both of the USB parts clicked in together (both the mini USB and the USB) and connect the recorder to your computer to charge. When the red LED indicator is flashing the device is charging. When the LED stops flashing and stays lit the recorder is fully charged. Once fully charged (typically in 1 hour), you can eject the device. It can continuously work (in either recording modes) for about 27 hours on a full battery cycle. **Note :** If during recording the red LED starts flashing, the battery level is low and you should charge your device.

Recording while charging

The device can record and charge simultaneously. Please connect it to a power source (a computer or a charger) and switch the button to “ON” position.

NOTE: During recording, partition of the recorder will not be visible on your computer. You will need to disconnect the device from the computer, turn it off and then reconnect it to be able to access the folder “RECORD”.

Troubleshooting

- 1. If you connect the device to your computer and you don't see the LightREC's partition:** check if the ON/OFF button is in the OFF position.
- 2. If the device is not charging:** Always check if the red LED indicator is visible when the recorder is connected to your PC. Sometimes the computer can enter stand-by and thus the USB port is unavailable for power delivery. Alternatively, you can charge the recorder by connecting it to an USB charger – for example the one of a smartphone.
- 3. If you turn on the device and the blue LED is blinking fast:** it means that the memory of the recorder is full. Connect the device to your computer and free up some space by either deleting audio files or moving them to another storage partition.

Technical Specifications

Size:	69mm x 20mm x 7mm
Weight:	14g
Power Supply:	Polymer Battery 3.7V 120mAh (lasting up to 27 hours in recording mode)
Recording Format:	.WAV, 192Kbps Continuous / 512Kbps Voice Activated
Recording Capacity:	4GB: about 47 hours / 17 hours 8GB: about 94 hours / 35 hours 16GB: about 188 hours / 70 hours
Support System:	Windows2000/XP/7/8/Android/MacOS

Contact and Support

Website:	www.atto-digital.com
Email:	support@atto-digital.com (please include in the email subject: "LightREC")