

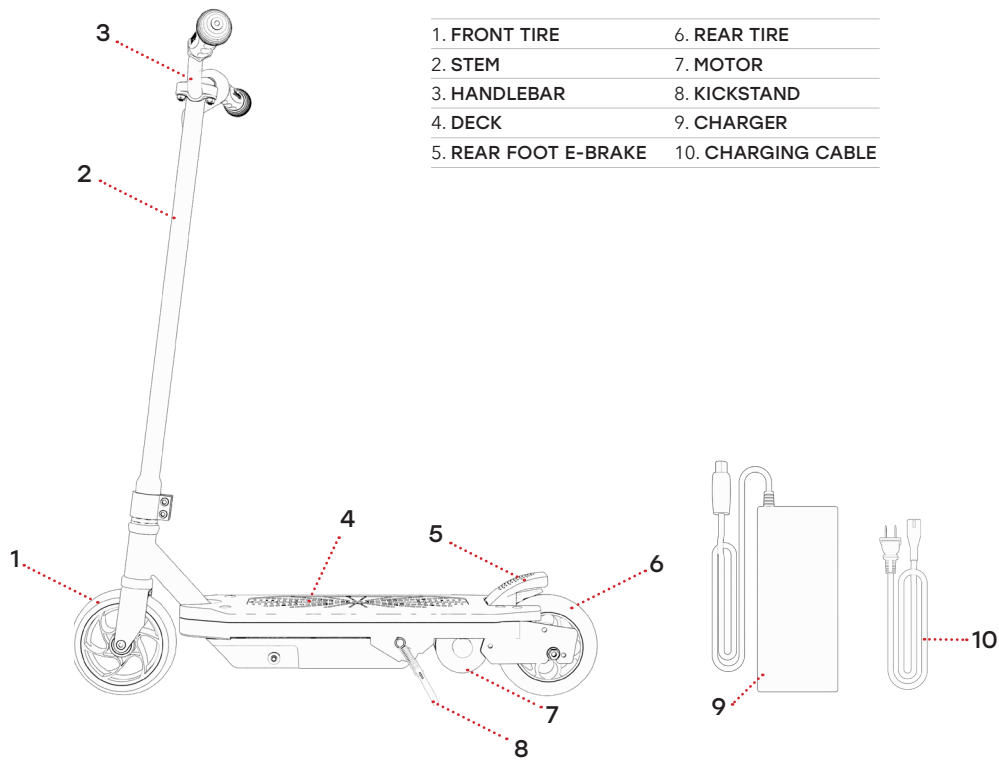


TEMPO
ELECTRIC SCOOTER

TABLE OF CONTENTS

What's in the Box	1
Features & Specs	2
Assembling the Handlebar	3
Assembling the Stem	4
Charging the Battery	5
Turning the Tempo On and Off	6
Resetting the Tempo	7
Riding the Tempo	8
Using the Twist Throttle	9
Using the Rear Foot E-Brake	10
Using the Kickstand	11
Care and Maintenance	12
Safety Warnings	13

1. WHAT'S IN THE BOX



2. FEATURES & SPECS

TEMPO

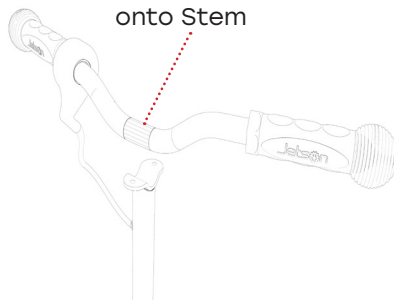
- Weight Limit: 120 lbs.
- Product Weight: 15 lbs.
- Recommended Age: 8+
- Tire Size: Front - 5.5"; Rear - 6"
- Max Speed: Up To 9 mph
- Max Range: Up To 6 Miles
- Battery: 12V, 4.5Ah Lead-Acid
- Motor: 80W Chain Motor
- Charger: 110-240V
- Charge Time: Up To 5 Hours
- Climbing Angle: Up To 15°
- Frame Material: Steel

3. ASSEMBLING THE HANDLEBAR



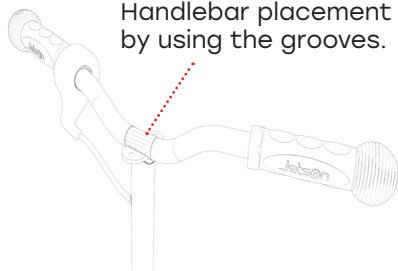
3.1

Place Handlebar
onto Stem



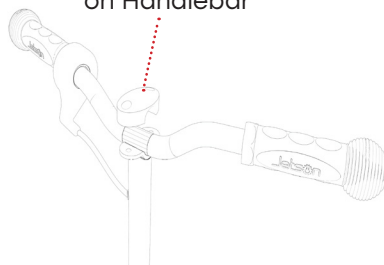
3.2

You can customize the
Handlebar placement
by using the grooves.

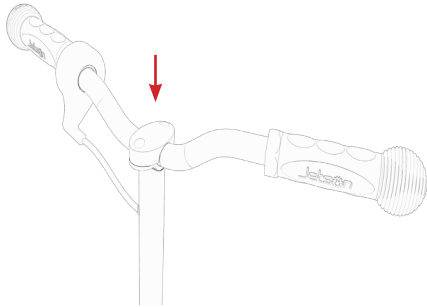


3.3

Place Metal Guard
on Handlebar

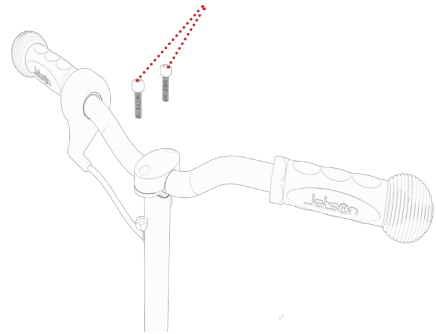


3.4

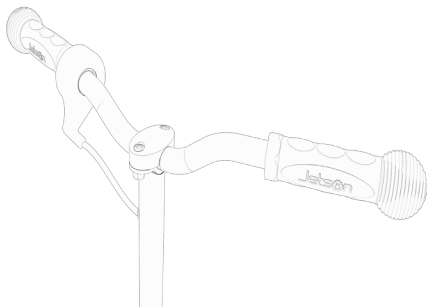


3.5

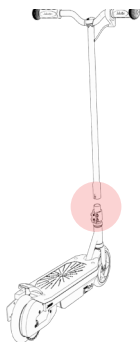
Tighten using 2
Bolts and 2 Nuts



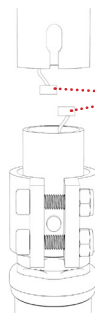
3.6



4. ASSEMBLING THE STEM

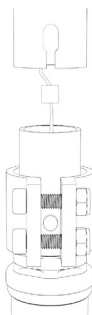


4.1

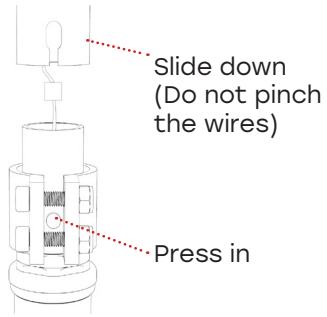


Connect the
Electrical
Connectors (one
should clip easily
into the other)

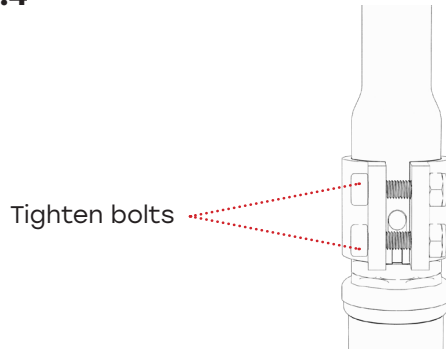
4.2



4.3



4.4



5. CHARGING THE BATTERY

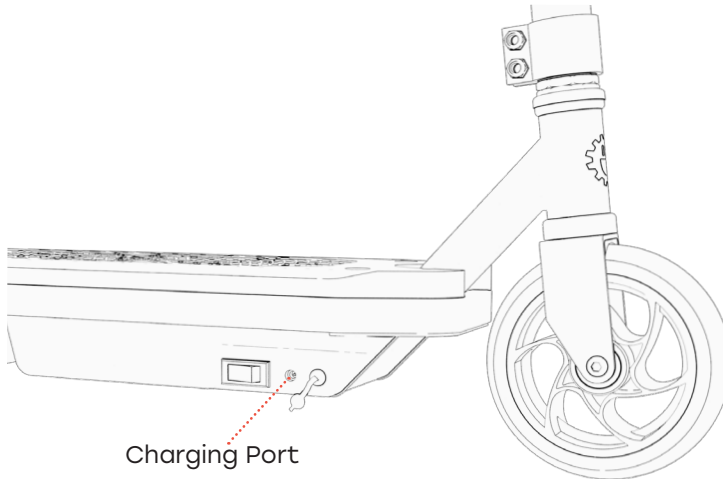
A few must-do's:

- Only use the included charger
- Plug the charger into the wall before the Charging Port
- Don't turn on the Tempo while it's charging (it needs its rest)
- Charge the battery until it is fully charged - up to 5 hours
- Replace the cover over the Charging Port when done
- Remember to have fun!

CHARGING INDICATOR ON THE CHARGER:

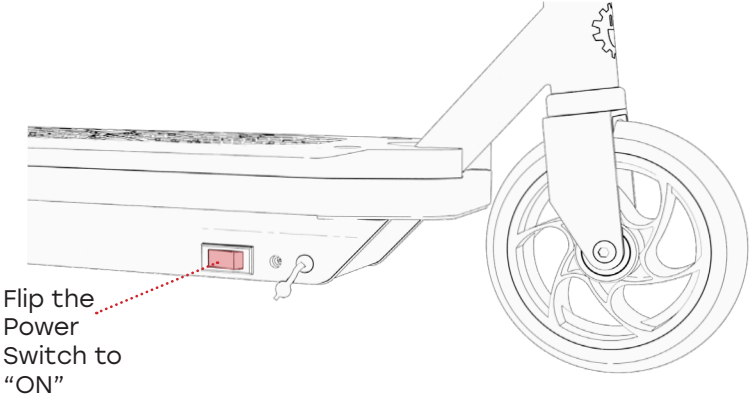
Red Light: Battery is charging

Green Light: Charging is complete

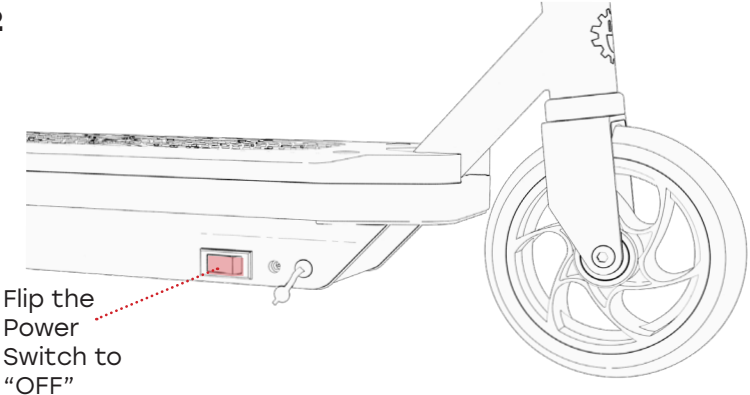


6. TURNING THE TEMPO ON AND OFF

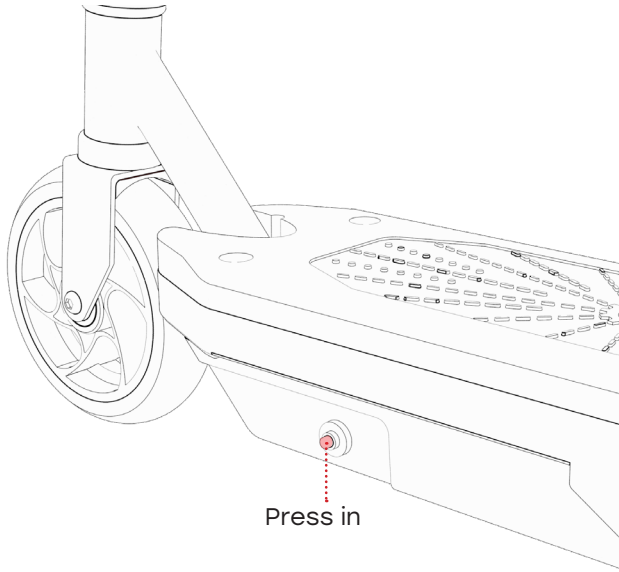
6.1



6.2



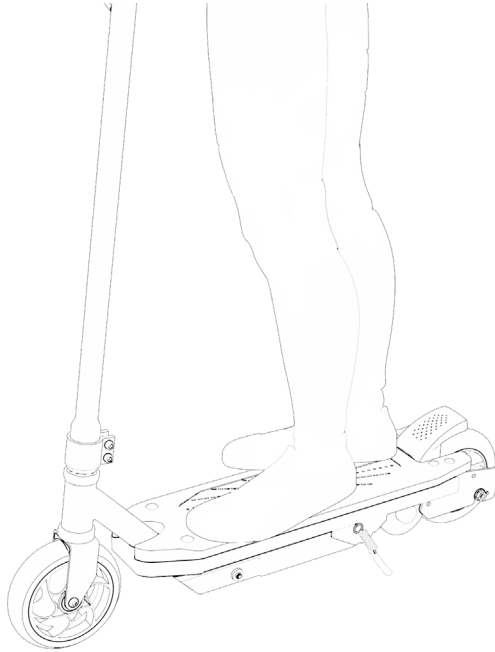
7. RESETTING THE TEMPO



If you are having issues with the Tempo, you may need to reset it. Follow these simple steps...

1. Place the Tempo on a flat, level surface. Now say something nice to it. Just kidding, but, go ahead if you like.
2. Press the Reset Button in.
3. Restart the Tempo by turning it off and then on.
4. You're all set! The Tempo is ready to roll.

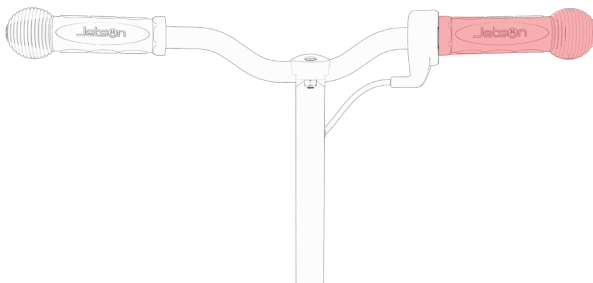
8. RIDING THE TEMPO



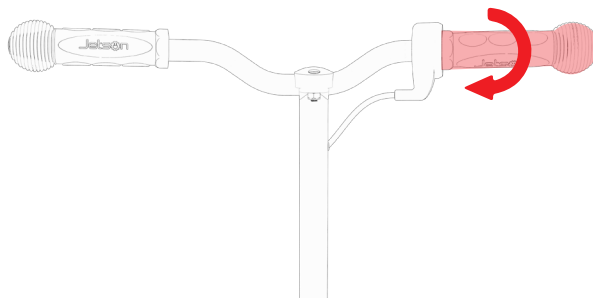
- Place one foot in front.
- Place the other foot in back, at a 70-90° angle.
- Turn the handlebar to the left or right to make turns.

9. USING THE TWIST THROTTLE

9.1



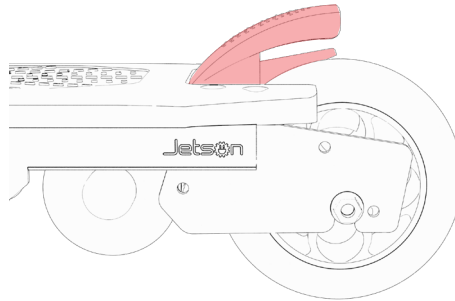
9.2



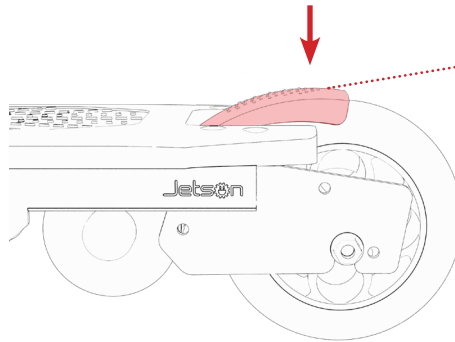
Quick Note: The Tempo is motion activated, you will need to push forward with one foot (about 5-8 kicks consecutively) before using the Twist Throttle. Try to take it easy on the throttle until you get used to it.

10. USING THE REAR FOOT E-BRAKE

10.1



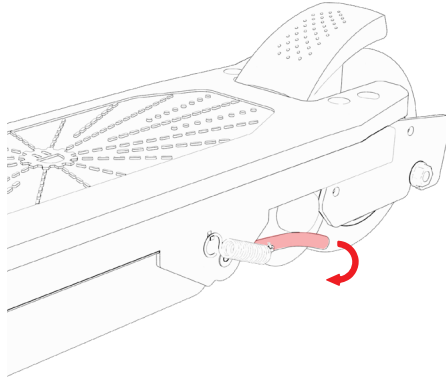
10.2



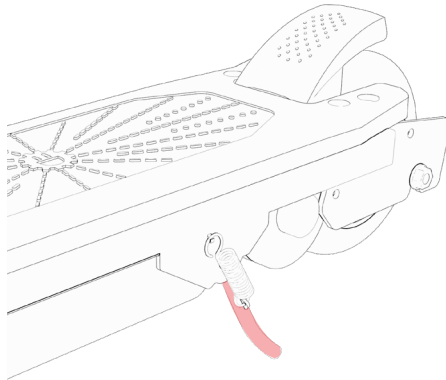
Using the Rear Foot E-Brake will deactivate the motor.

11. USING THE KICKSTAND

11.1



11.2



12. CARE AND MAINTENANCE

RIDING RANGE

The average range is 6 miles. However, a lot of factors will affect how far you can go per charge:

- Driving Surface: A smooth, flat surface will increase driving distance.
- Weight: More weight means less distance.
- Temperature: Ride and store the Tempo above 50°F.
- Maintenance: Timely battery charging and maintenance will increase driving distance.
- Speed and Driving Style: Frequent starting and stopping will reduce driving distance.

CLEANING THE TEMPO

To clean the Tempo, carefully wipe with a damp cloth, then dry with a dry cloth. Do not use water to clean the Tempo, as the electrical and electronic systems may get wet, resulting in personal injury or malfunction of the Tempo.

BATTERY

- Keep the Tempo away from fire and excessive heat.
- Do not subject the Tempo to intense physical shock, severe vibration, or impact.
- Protect from water or moisture.
- Do not disassemble the Tempo or its battery.
- If there are any issues with the battery, please contact Jetson Customer Support.

STORAGE

- Fully charge the battery before storing. The battery should be fully charged once a month after this.
- To protect against dust, cover the Tempo.
- Store the Tempo indoors, in a dry place and at a suitable temperature.
- You should bring the Tempo into a warm environment for charging.

13. SAFETY WARNINGS

- For your safety, please read the user manual and safety warnings carefully, and make sure you understand and accept all the safety instructions. The user will be responsible for any loss or damage caused by improper use.
- Children, the elderly, pregnant women, and those with heart conditions should not use this product.
- The rider should not exceed 120 lbs.
- Do not ride at night.
- Do not use near motor vehicles.
- Do not ride after drinking or taking prescription medication.
- Do not ride this product if you have had any head, back, or neck ailments, or prior surgeries to those areas.
- Persons with any mental or physical conditions that may make them susceptible to injury or impair their dexterity or mental capabilities should recognize, understand, and perform all of the safety instructions and be able to assume the hazards inherent in using this product.
- Do not carry items when riding.
- Always wear shoes, a helmet, and appropriate safety gear.
- Prior to each ride, inspect each part of the product to ensure it has been maintained correctly and is functioning properly.
- Always give way to pedestrians.
- Always comply with local traffic laws and regulations.
- Be alert to things in front and far away from you.
- Make sure your feet are always placed securely on the deck.
- The product cannot be ridden by more than one person.
- When you ride this product along with other riders, always keep a safe distance to avoid a collision.
- When turning, be sure to maintain your balance.
- Do not allow distractions when riding, such as answering the phone or engaging in any other activities.
- Avoid riding in the rain or on smooth surfaces such as snow or ice.
- Do not ride on roads with obstacles (such as litter, small stones, etc.).
- Avoid riding in narrow spaces or on steep slopes.
- Avoid riding around flammable gas, steam, liquid, or dust that could cause fire.
- Never operate this product barefooted and keep shoelaces tied.
- Riding with improperly adjusted brakes is dangerous and can result in serious injury or death.

- Applying brakes too hard or too suddenly can lock up a wheel, which could cause you to lose control and fall. Sudden or excessive application of the brake may result in injury or death.
- Do not ride without proper training. Do not ride at high speeds, on uneven terrain, or on slopes. Do not perform stunts or turn abruptly.
- The area that this product is to be operated should be safe and suitable for safe operation.
- Check whether all safety labels are in place and understood before riding.
- The owner shall allow the use and operation of the unit after a demonstration that such operators can understand and operate all components of the unit before use.
- Operators shall adhere to all of the manufacturer's recommendations and instructions, as well as comply with all laws and ordinances.
- Only ride the product with adequate daylight conditions for visibility.
- We encourage you to highlight the product, for visibility, by using lighting, reflectors, and signal flags on flexible poles.

CALIFORNIA PROPOSITION 65

 **WARNING:** This product contains chemicals, including lead, which are known to the state of California to cause cancer, birth defects, and other medical conditions.

MODIFICATIONS

Do not attempt to disassemble, modify, repair, or replace the unit or any components of the unit without instruction from Jetson Customer Support. This will void any warranty, and can lead to malfunctions which may cause injury.

ADDITIONAL OPERATION CAUTIONS

Do not lift the product off the ground while it is on and the wheels are in motion. This can result in freely spinning wheels, which may cause injury to yourself or others nearby. Do not jump on or off the product, and do not jump while using it. Always keep your feet firmly planted on the deck while in operation. Always check the battery charge before using.

This device complies with Part 15 of the FCC Rules. Operation is subject to the following two conditions: (1) This device may not cause harmful interference, and (2) this device must accept any interference received, including interference that may cause undesired operation.

Jetson

1-(888) 976-9904 • help@ridejetson.com • www.ridejetson.com

