

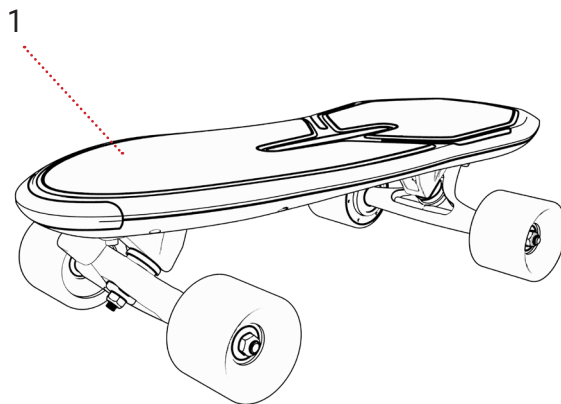
STEP

Electric Skateboard

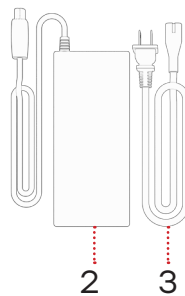
TABLE OF CONTENTS

What's in the Box	1
Features & Specs	2
Charging the Battery	3
Turning the Step On/ Off	4
Indicator Lights	5
Riding the Step	6
Using the Sensor	7
Care and Maintenance	8
Safety Warnings	9

1. WHAT'S IN THE BOX



- 1. JETSON STEP
- 2. CHARGER
- 3. CHARGING CABLE



2. FEATURES & SPECS

STEP

- Product Dimensions: 19.69" x 9.05" x 5.12"
- Weight Limit: 180 lbs.
- Product Weight: 6.24 lbs.
- Recommended Age: 13+
- Wheel Size: 71 mm
- Max Speed: Up To 7 mph
- Max Range: Up To 8 Miles
- Battery: 14.8V, 2.0Ah Lithium-Ion
- Motor: 100W Hub Motor
- Charger: 100-240V
- Charge Time: Up To 2.5 Hours
- Climbing Angle: Up To 10°

3. CHARGING THE BATTERY

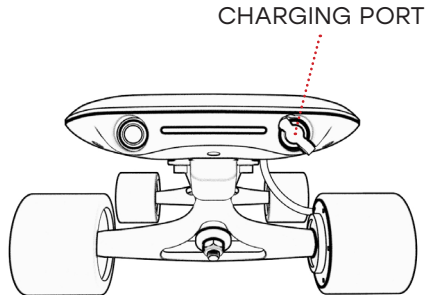
A FEW MUST-DO'S:

- Only use the included charger.
- Plug the charger into the wall before the Charging Port.
- Don't turn on the Step while it's charging (it needs its rest).
- Charge the battery until it is fully charged - up to 2.5 hours.
- Replace the cover over the Charging Port when you are done.
- Remember to have fun!

CHARGING INDICATOR ON THE CHARGER:

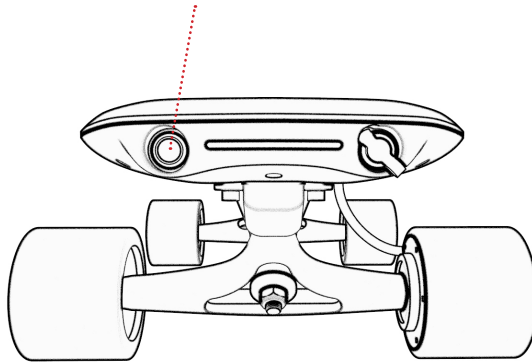
Red Light: Battery is charging.

Green Light: Charging is complete.



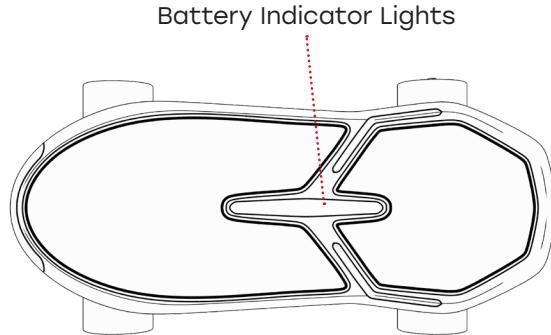
4. TURNING THE STEP ON/OFF

POWER BUTTON



Press the Power Button to turn the Step on or off.

5. INDICATOR LIGHTS

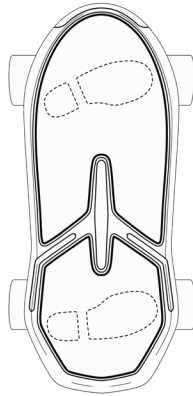


1. Battery Indicator Lights:

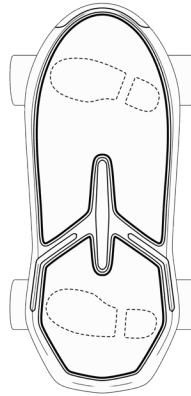
- 8 Lights- 75-100% power.
- 6 Lights - 50-74% power.
- 4 Lights - 25-49% power.
- 2 Lights - Less than 25% power. Time to charge!

Warning: If the battery power goes below 10%, the Step will automatically turn off as a safety precaution.

6. RIDING THE STEP



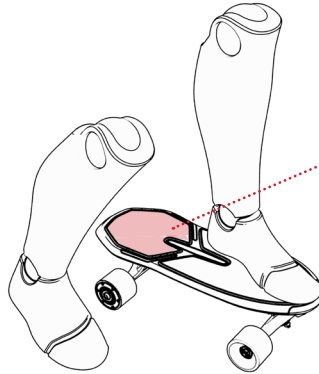
Regular



Goofy

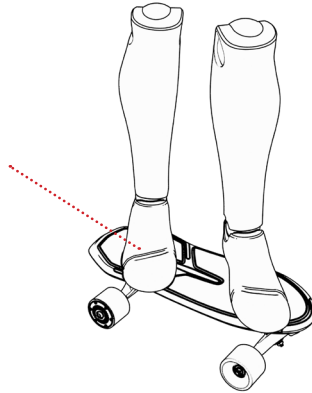
- If you ride with your left foot forward, that's called regular footed. If you ride with your right foot forward, that's called goofy footed. Try both stances and see which works best for you.
- While riding, keep a wide stance on the board, bend your knees slightly, and keep a low center of gravity.
- Lean slightly forward when you're accelerating.
- Lean slightly backwards when braking or slowing down.

7. USING THE SENSOR



The Step is motion activated, you will need to push forward with one foot before using the sensor.

When you are moving, place your back foot on the sensor to activate the motor.



Quick Note: You can also ride the Step like a regular skateboard. Just turn off the Step and it will deactivate the sensor and motor.

8. CARE AND MAINTENANCE

RIDING RANGE

The maximum range is 8 miles. However, a lot of factors will affect how far you can go per charge:

- Driving Surface: A smooth, flat surface will increase driving distance.
- Weight: More weight means less distance.
- Temperature: Ride and store the Step above 50°F.
- Maintenance: Timely battery charging and maintenance will increase driving distance.
- Speed and Driving Style: Frequent starting and stopping will reduce driving distance.

CLEANING THE STEP

To clean the Step, carefully wipe with a damp cloth, then dry with a dry cloth. Do not use water to clean the Step, as the electrical and electronic systems may get wet, resulting in personal injury or malfunction of the Step.

BATTERY

- Keep the Step away from fire and excessive heat.
- Do not subject the Step to intense physical shock, severe vibration, or impact.
- Protect from water or moisture.
- Do not disassemble the Step or its battery.
- If there are any issues with the battery please contact Jetson Customer Support, we'd love to help!

STORAGE

- Fully charge the battery before storing. The battery should be fully charged once a month after this.
- To protect against dust, cover the Step.
- Store the Step indoors, in a dry place and at a suitable temperature.
- You should bring the Step into a warm environment for charging.

9. SAFETY WARNINGS

- For your safety, please read the user manual and safety warnings carefully, and make sure you understand and accept all the safety instructions. The user will be responsible for any loss or damage caused by improper use.
- Children, the elderly, pregnant women, and those with heart conditions should not use this product.
- The rider should not exceed 180 lbs.
- Do not ride at night.
- Do not use near motor vehicles.
- Do not ride after drinking or taking prescription medication.
- Do not ride this product if you have had any head, back, or neck ailments, or prior surgeries to those areas.
- Persons with any mental or physical conditions that may make them susceptible to injury or impair their dexterity or mental capabilities should recognize, understand, and perform all of the safety instructions and be able to assume the hazards inherent in using this product.
- Do not carry items when riding.
- Always wear shoes, a helmet, and appropriate safety gear.
- Prior to each ride, inspect each part of the product to ensure it has been maintained correctly and is functioning properly.
- Always give way to pedestrians.
- Always comply with local traffic laws and regulations.
- Be alert to things in front and far away from you.
- Make sure your feet are always placed securely on the deck.
- The product cannot be ridden by more than one person.
- When you ride this product along with other riders, always keep a safe distance to avoid a collision.
- When turning, be sure to maintain your balance.
- Do not allow distractions when riding, such as answering the phone or engaging in any other activities.
- Avoid riding in the rain or on smooth surfaces such as snow or ice.
- Do not ride on roads with obstacles (such as litter, small stones, etc.).
- Avoid riding in narrow spaces or on steep slopes.
- Avoid riding around flammable gas, steam, liquid, or dust that could cause fire.
- Never operate this product barefooted and keep shoelaces tied.
- Riding with improperly adjusted brakes is dangerous and can result in serious injury or death.

- Applying brakes too hard or too suddenly can lock up a wheel, which could cause you to lose control and fall. Sudden or excessive application of the brake may result in injury or death.
- Do not ride without proper training. Do not ride at high speeds, on uneven terrain, or on slopes. Do not perform stunts or turn abruptly.
- The area that this product is to be operated should be safe and suitable for safe operation.
- Check whether all safety labels are in place and understood before riding.
- The owner shall allow the use and operation of the unit after a demonstration that such operators can understand and operate all components of the unit before use.
- Operators shall adhere to all of the manufacturer's recommendations and instructions, as well as comply with all laws and ordinances.
- Only ride the product with adequate daylight conditions for visibility.
- We encourage you to highlight the product, for visibility, by using lighting, reflectors, and signal flags on flexible poles.

CALIFORNIA PROPOSITION 65

 **WARNING:** This product contains chemicals, including lead, which are known to the state of California to cause cancer, birth defects, and other medical conditions.

MODIFICATIONS

Do not attempt to disassemble, modify, repair, or replace the unit or any components of the unit without instruction from Jetson Customer Support. This will void any warranty, and can lead to malfunctions which may cause injury.

ADDITIONAL OPERATION CAUTIONS

Do not lift the product off the ground while it is on and the wheels are in motion. This can result in freely spinning wheels, which may cause injury to yourself or others nearby. Do not jump on or off the product, and do not jump while using it. Always keep your feet firmly planted on the deck while in operation. Always check the battery charge before using.

This device complies with Part 15 of the FCC Rules. Operation is subject to the following two conditions: (1) This device may not cause harmful interference, and (2) this device must accept any interference received, including interference that may cause undesired operation.

Jetson

1 Rewe Street, Brooklyn, NY 11211

1-(888) 976-9904 • help@ridejetson.com • www.ridejetson.com

