

**JETSON**

**Star**  
3-Wheel Kick Scooter.

ITM/ART 1662152

**A guide for your ride.**

IMPORTANT: READ CAREFULLY AND RETAIN FOR FUTURE REFERENCE.

MODEL: JSTAR-CAN-BLU | JSTAR-TAW-BLU | JSTAR-TAW-WHT



**Jetson's top two riding rules:  
Be safe. Have fun!**



# Contents

<b>Safety Warnings</b> .....	4
<b>Specs &amp; Features</b> .....	7
<b>Product Overview</b> .....	8
<b>Unfolding/Folding Your Scooter</b> .....	10
<b>Adjusting the Handlebar</b> .....	12
<b>Inserting the Batteries</b> .....	14
<b>Using the Brake</b> .....	15
<b>Riding Your Scooter</b> .....	16
<b>Activating the LED Lights</b> .....	17
<b>Helmet Safety</b> .....	18
<b>Care, Maintenance, &amp; Warranty</b> .....	19
<b>French Manual</b> .....	23

# Safety Warnings

- Before use, please read the user manual and safety warnings carefully, and make sure you understand and accept all the safety instructions. The user will be responsible for any loss or damage caused by improper use.
- Before each cycle of operation, the operator shall perform the preoperation checks specified by the manufacturer: That all guards and pads originally supplied by the manufacturer are in proper place and in serviceable condition; That the braking system is functioning properly; That any and all axle guards, chain guards, or other covers or guards supplied by the manufacturer are in place and in serviceable condition; That tires are in good condition, inflated properly, and have sufficient tread remaining; The area that the product is to be operated should be safe and suitable for safe operation.
- Components shall be maintained and repaired in accordance with the manufacturer's specifications and using only the manufacturer's authorized replacement parts with installation performed by dealers or other skilled persons.
- Warning against recharging non-rechargeable batteries.
- Don't allow hands, feet, hair, body parts, clothing, or similar articles to come in contact with moving parts, wheels, or drive train, while the motor is running.
- This product should not be used by children or persons with reduced physical, sensory or mental capabilities, or lack of experience and knowledge, unless they have been given supervision or instruction (IEC 60335-1/A2:2006).
- Unsupervised children should not play with the product (IEC 60335-1/A2:2006).
- Adult supervision is required.
- The rider should not exceed 110 lb.
- Units shall not be operated to perform racing, stunt riding, or other maneuvers, which may cause loss of control, or may cause uncontrolled operator/passenger actions or reactions.
- Never use near motor vehicles.
- Avoid sharp bumps, drainage grates, and sudden surface changes. Scooter may suddenly stop.
- Avoid streets and surfaces with water, sand, gravel, dirt, leaves, and other debris. Wet weather impairs traction, braking, and visibility.
- Avoid riding around flammable gas, steam, liquid, or dust that could cause fire.
- Operators shall adhere to all of the manufacturer's recommendations and instructions, as well as comply with all laws and ordinances: Units without headlights shall be operated only with adequate daylight conditions of visibility, and; Owners shall be encouraged to highlight (for conspicuity) using lighting, reflectors, and for low-riding units, signal flags on flexible poles.
- Persons with the following conditions shall be cautioned not to operate: Those with heart conditions; Pregnant women; Persons with head, back, or neck ailments, or prior surgeries to those areas of the body; and persons with any mental or physical conditions that may make them susceptible to injury or impair their physical dexterity or mental capabilities to recognize, understand, and perform all of the safety instructions and to be able to assume the hazards inherent in unit use.
- Do not ride at night.
- Do not ride after drinking or taking prescription medication.
- Do not carry items when riding.
- Never operate the product barefooted.
- Always wear shoes and keep shoelaces tied.
- Make sure your feet are always placed securely on the deck.
- Operators always shall use appropriate protective clothing, including but not limited to a helmet, with appropriate certification, and any other equipment recommended by the manufacturer: Always wear protective equipment such as helmet, knee pads, and elbow pads.
- Always give way to pedestrians.
- Be alert to things in front and far away from you.
- Do not allow distractions when riding, such as answering the phone or engaging in any other activities.
- The product cannot be ridden by more than one person.
- When you ride the product along with other riders, always keep a safe distance to avoid a collision.
- When turning, be sure to maintain your balance.
- Riding with improperly adjusted brakes is dangerous and can result in serious injury or death.
- The brake may become hot while operating, do not touch the brake with your bare skin.

- Applying brakes too hard or too suddenly can lock up a wheel, which could cause you to lose control and fall. Sudden or excessive application of the brake may result in injury or death.
- If the brake loosens, please adjust with the hexagon wrench, or please contact the Jetson Care Team.
- Replace worn or broken parts immediately.
- Check whether all safety labels are in place and understood before riding.
- The owner shall allow the use and operation of the unit after a demonstration that such operators can understand and operate all components of the unit before use.
- Do not ride without proper training. Do not ride at high speeds, on uneven terrain, or on slopes. Do not perform stunts or turn abruptly.
- Recommended for indoor use.
- Prolonged exposure to UV rays, rain and the elements may damage the enclosure materials, store indoors when not in use.

## California Proposition 65



This product can expose you to chemicals including Cadmium, which is known to the State of California to cause cancer and birth defects or other reproductive harm. For more information go to: [www.P65Warnings.ca.gov](http://www.P65Warnings.ca.gov).

### MODIFICATIONS

Do not attempt to disassemble, modify, repair, or replace the unit or any components of the unit without instruction from the Jetson Care Team. This will void any warranty, and can lead to malfunctions which may cause injury.

### ADDITIONAL OPERATION PRECAUTIONS

Do not lift the product off the ground while it is on and the wheels are in motion. This can result in freely spinning wheels, which may cause injury to yourself or others nearby. Do not jump on or off the product, and do not jump while using it. Always keep your feet firmly planted on the foot rest while in operation. Always check the battery charge before using.

### NOTICE OF COMPLIANCE

This device complies with Part 15 of the FCC Rules. Operation is subject to the following two conditions:

(1) this device may not cause harmful interference, and (2) this device must accept any interference received, including interference that may cause undesired operation. Warning: Changes or modifications to this unit not expressly approved by the party responsible for compliance could void the user's authority to operate the equipment.

NOTE: This equipment has been tested and found to comply with the limits for a Class B digital device, pursuant to Part 15 of the FCC Rules. These limits are designed to provide reasonable protection against harmful interference in a residential installation. This equipment generates, uses and can radiate radio frequency energy and, if not installed and used in accordance with the instructions, may cause harmful interference to radio communications. However, there is no guarantee that interference will not occur in a particular installation. If this equipment does cause harmful interference to radio or television reception, which can be determined by turning the equipment off and on, the user is encouraged to try to correct the interference by one or more of the following measures:

- Reorient or relocate the receiving antenna.
- Increase the separation between the equipment and receiver.
- Connect the equipment into an outlet on a circuit different from that to which the receiver is connected.
- Consult the dealer or an experienced radio/TV technician for help.

Shielded cables must be used with this unit to ensure compliance with the Class B FCC limits.

### DISPOSAL OF USED BATTERY



Battery may contain hazardous substances which could endanger the environment and human health. This symbol marked on the battery and/or packaging indicates that used battery shall not be treated as municipal waste. Batteries should be disposed of at an appropriate collection point for recycling. By ensuring the used batteries are disposed of correctly, you will help preventing potential negative consequences for the environment and human health. The recycling of materials will help to conserve natural resources. For more information about recycling of used batteries, please contact your local municipality waste disposal service.





# Specs & Features

## SPECS

- WHEEL SIZES: 4.7 IN (FRONT), 3.5 IN (REAR)
- UNFOLDED DIMS: 23 IN (L) × 11.3 IN (W) × 23.1 IN (H)
- FOLDED DIMS: 23.3 IN (L) × 11.3 IN (W) × 5.8 IN (H)
- DECK SIZE: 22.5 IN (L) × 5.6 IN (W)
- HANDLEBAR HEIGHT: 24.5 IN - 30.8 IN
- WEIGHT LIMIT: 110 LBS
- PRODUCT WEIGHT: 7 LBS
- RECOMMENDED AGE: 3+
- BATTERIES REQUIRED: 3 AA

## FEATURES

- REAR FOOT BRAKE
- LED LIGHT-UP WHEELS & STEM
- EASY FOLDING TECHNOLOGY



# Product Overview

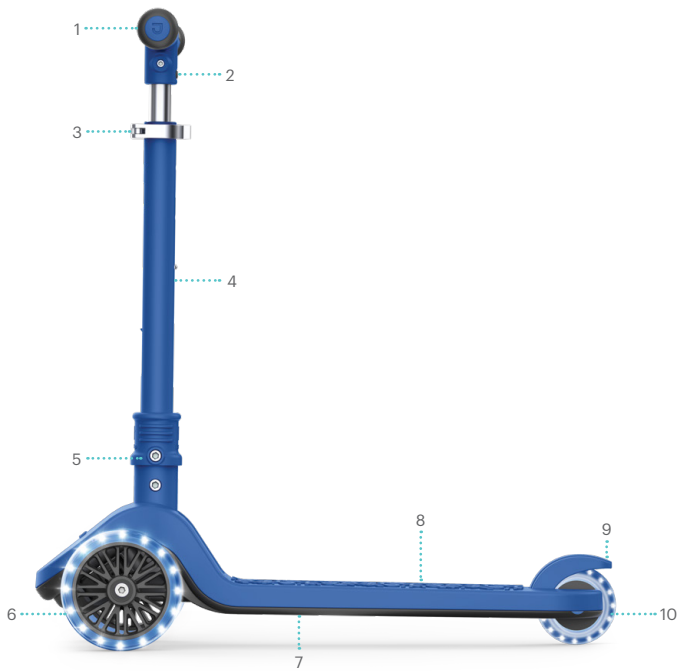
1. HANDLEBAR
2. LIGHTING CONTROL BUTTON
3. STEM CLAMP
4. STEM (LED-LIGHT UP)
5. STEM RELEASE FOLDING MECHANISM
6. FRONT WHEEL  
(MOTION-ACTIVATED LED LIGHT-UP)
7. BATTERY COMPARTMENT
8. DECK
9. REAR FOOT BRAKE
10. REAR WHEEL  
(MOTION-ACTIVATED LED LIGHT-UP)

## **TOOL INCLUDED:**



**2-BIT PHILLIPS-HEAD SCREWDRIVER  
AND ALLEN KEY TOOL**

\* ADULTS MUST ASSIST CHILDREN IN THE INITIAL ADJUSTMENT PROCEDURES OF THE PRODUCT.

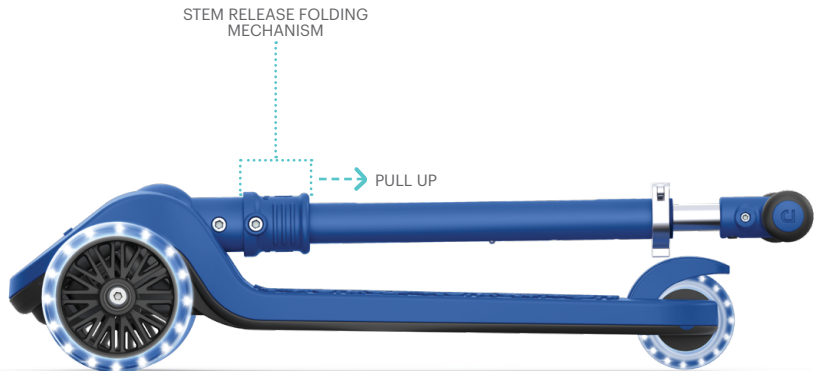


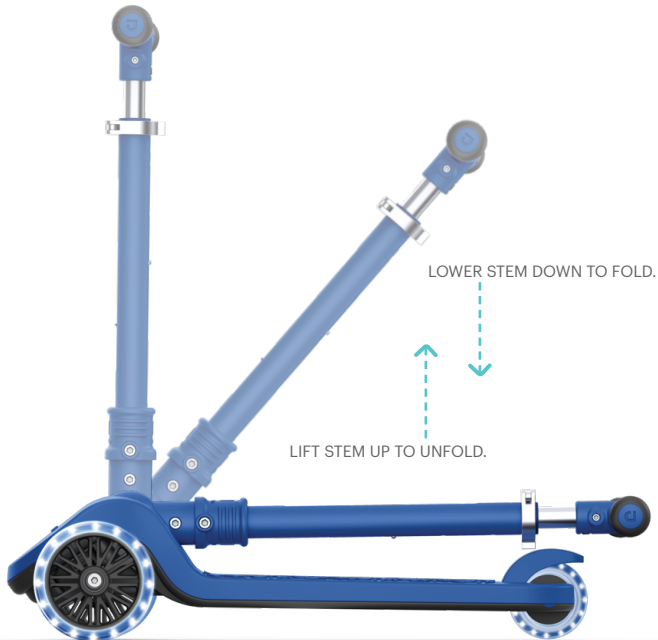
NOTE: IMAGES MAY NOT REFLECT EXACT APPEARANCE OF ACTUAL PRODUCT.

# 1. Getting Started

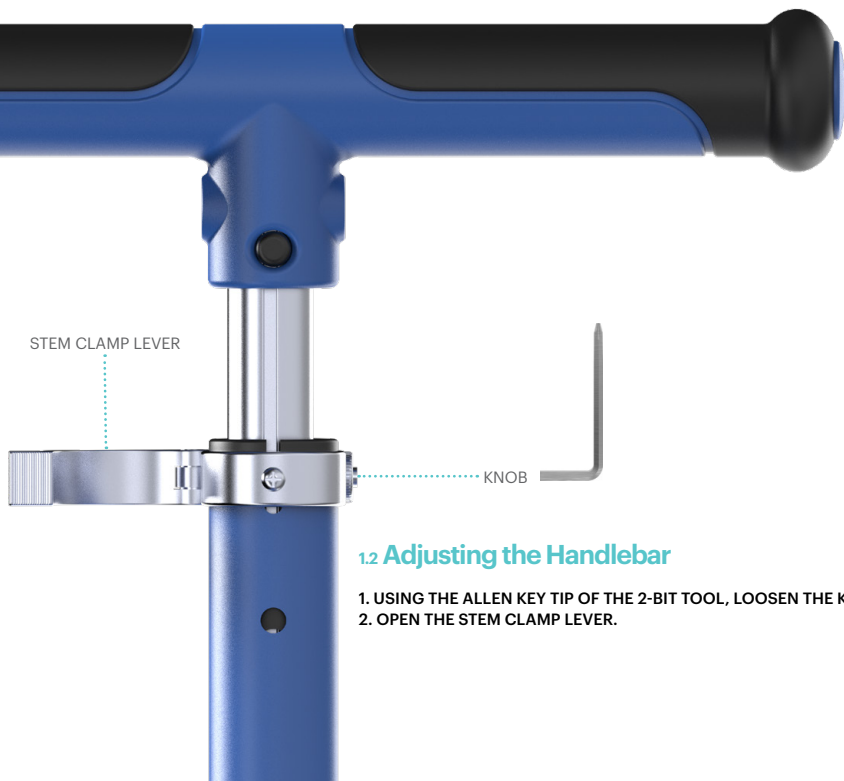
## 1.1 Unfolding/Folding Your Scooter

- TO UNFOLD OR FOLD, FIRST PULL THE STEM RELEASE FOLDING MECHANISM UP TOWARDS THE HANDLEBAR.





- **TO UNFOLD:** WHILE PULLING THE STEM RELEASE UPWARD, RAISE THE STEM TO AN UPRIGHT POSITION UNTIL IT CLICKS INTO PLACE.
- **TO FOLD:** PULL THE STEM RELEASE UPWARD AND LOWER THE STEM DOWN TOWARDS THE DECK UNTIL IT CLICKS INTO PLACE.



STEM CLAMP LEVER

KNOB

## 1.2 Adjusting the Handlebar

1. USING THE ALLEN KEY TIP OF THE 2-BIT TOOL, LOOSEN THE KNOB.
2. OPEN THE STEM CLAMP LEVER.



STEM PIN HOLE

STEM PIN

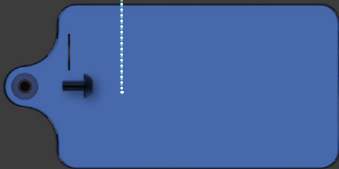
3. PRESS IN THE STEM PIN AND RAISE OR LOWER THE HANDLEBAR UNTIL THE PIN CLICKS INTO ANOTHER STEM PIN HOLE.
4. CLOSE THE STEM CLAMP LEVER AND TIGHTEN THE KNOB TO SECURE THE HANDLEBAR IN PLACE.

**IMPORTANT: THE STEM PIN ALONE WILL NOT KEEP THE STEM SECURE.  
MAKE SURE THE STEM CLAMP IS TIGHTENED AND CLOSED PRIOR TO RIDING.**

### 1.3 Inserting the Batteries

1. USE THE SCREWDRIVER TIP OF THE 2-BIT TOOL TO REMOVE THE BATTERY COMPARTMENT COVER.
2. INSERT 3 AA BATTERIES ACCORDING TO THE +/- DIRECTIONS INDICATED IN THE COMPARTMENT.
3. REPLACE THE BATTERY COMPARTMENT COVER AND TIGHTEN THE SCREW WITH THE SCREWDRIVER.

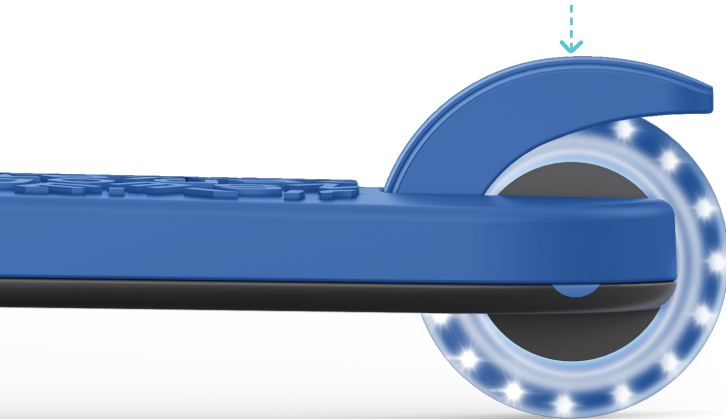
BATTERY COMPARTMENT





## 1.4 Using the Brake

PRESS DOWN GENTLY WITH YOUR REAR RIDING FOOT TO SLOW DOWN.  
APPLY MORE PRESSURE TO COME TO A COMPLETE STOP.



## 2. Making Moves

### 2.1 Riding Your Scooter

1. PLACE ONE FOOT ON THE FRONT OF THE DECK FACING FORWARD.
  2. PUSH THE OTHER FOOT OFF THE GROUND TO PROPEL THE SCOOTER FORWARD. REPEAT AS NECESSARY TO ACHIEVE OR MAINTAIN DESIRED SPEED.
  3. TO COAST, PLACE KICKING FOOT ON THE REAR OF THE DECK, TURNED OUTWARD AT A SLIGHT ANGLE FOR STABILITY.
- THE STAR IS A LEAN TO STEER SCOOTER. TO TURN, SLIGHTLY LEAN LEFT OR RIGHT WHILE RIDING AND THE SCOOTER WILL VEER ACCORDINGLY.



## 2.2 Activating the LED Lights

### LED LIGHT FUNCTIONS:

1. TO TURN THE STEM LED LIGHTS ON, QUICK-PRESS THE LIGHTING CONTROL BUTTON ON THE HANDLEBAR.
2. QUICK-PRESS THE BUTTON AGAIN TO CYCLE THROUGH 20 DIFFERENT LIGHTING STYLES. STOP PRESSING TO KEEP THE LIGHTS IN A SPECIFIC STYLE.
3. TO TURN OFF THE LIGHTS, HOLD DOWN THE LIGHTING CONTROL BUTTON FOR 3 SECONDS.

### LIGHTING NOTES:

- THE WHITE LED LIGHTS ON THE FRONT AND REAR WHEELS WILL ILLUMINATE WHENEVER THE WHEELS ARE IN MOTION—EVEN IF THE STEM LIGHTS ARE NOT ON.
- THE STEM LIGHTS WILL SHUT OFF AFTER 5 MINUTES OF NO USE. TO RE-ACTIVATE, QUICK-PRESS THE LIGHTING CONTROL BUTTON.

**IMPORTANT: TO PRESERVE BATTERY POWER, REMEMBER TO TURN OFF THE LIGHTS WHEN YOU ARE FINISHED RIDING.**



## 2.3 Helmet Safety



**PROPER POSITIONING:  
THE FOREHEAD IS COVERED  
BY THE HELMET.**



**IMPROPER POSITIONING:  
THE FOREHEAD IS EXPOSED.  
A FALL COULD RESULT IN SERIOUS INJURY.**

\* WEAR A HELMET, APPROPRIATE CLOTHING, SHOES, AND SAFETY GEAR. AVOID CLOTHING THAT CAN GET CAUGHT INTO OR UNDER THE WHEELS. CLOSED-TOE, FLAT SHOES ARE RECOMMENDED. WEAR AN ASTM F1492 APPROVED HELMET AND PROTECTIVE GEAR TO PREVENT INJURY IN THE EVENT OF AN ACCIDENT.

# Care, Maintenance, & Warranty

## **CLEANING YOUR STAR**

- TO CLEAN YOUR SCOOTER, CAREFULLY WIPE WITH A DAMP CLOTH AND THEN DRY WITH A DRY CLOTH.
- DO NOT APPLY WATER DIRECTLY TO THE SCOOTER. WATER CAN DAMAGE THE FRAME AND/OR ELECTRICAL COMPONENTS, WHICH CAN RESULT IN A MALFUNCTION THAT PUTS RIDER SAFETY AT RISK.

## **MAINTAINING YOUR STAR**

- KEEP AWAY FROM FIRE AND EXCESSIVE HEAT.
- AVOID INTENSE PHYSICAL IMPACT AND/OR SEVERE VIBRATION.
- RIDE THE SCOOTER ON A SMOOTH, FLAT SURFACE.
- PROTECT FROM WATER OR MOISTURE.
- CONTACT THE JETSON CARE TEAM IF THERE ARE ANY ISSUES WITH YOUR SCOOTER.

## **STORING YOUR STAR**

- STORE YOUR SCOOTER INDOORS AND IN A DRY PLACE.
- COVER YOUR SCOOTER TO PROTECT IT AGAINST DUST.

## **ONE-YEAR GENERAL LIMITED WARRANTY**

All new Jetson products, excluding parts and accessories, are warranted against defects in materials and workmanship for a period of one year from the date of original retail purchase when used in accordance with Jetson's user manuals (refer to [ridejetson.com/support](https://ridejetson.com/support)).

**Under this warranty, you will be able to direct your claims to Jetson even in situations where you purchased the Jetson Product from one of our authorized retailers.**

To read the full terms of our warranty, visit [ridejetson.com/warranty](https://ridejetson.com/warranty).

## Stay connected.

Be sure to follow **@ridejetson** on social media to learn about fantastic offers, giveaways, and all the latest Jetson news.



## Loving your ride?

Then be sure to leave a review at [ridejetson.com/reviews](https://ridejetson.com/reviews).  
We can't wait to hear from you!

**JETSON**

**#MakeMoves**

# Questions? Let us know.

[ridejetson.com/support](https://ridejetson.com/support)  
[ridejetson.com/chat](https://ridejetson.com/chat)

To exercise your product's  
1-year limited warranty  
or inquire about warranty  
coverage, contact us directly.

US/CANADA: 1-888-976-9904  
MEX: +001 888 976 9904  
UK: +44 (0)33 0838 2551

Manufactured in Yongkang, China  
Imported by Jetson Electric Bikes LLC.  
P.O. Box 320149, 775 4th Ave #2,  
Brooklyn, NY 11232

[www.ridejetson.com](https://www.ridejetson.com)



Made in China  
Date Code: 07/2022

© 2022, JETSON. ALL RIGHTS RESERVED. Manufactured by JETSON ELECTRIC BIKES LLC.  
No portion of this document, including shape, copy, graphics, and design,  
may be reproduced or transmitted in any form or by any means.