

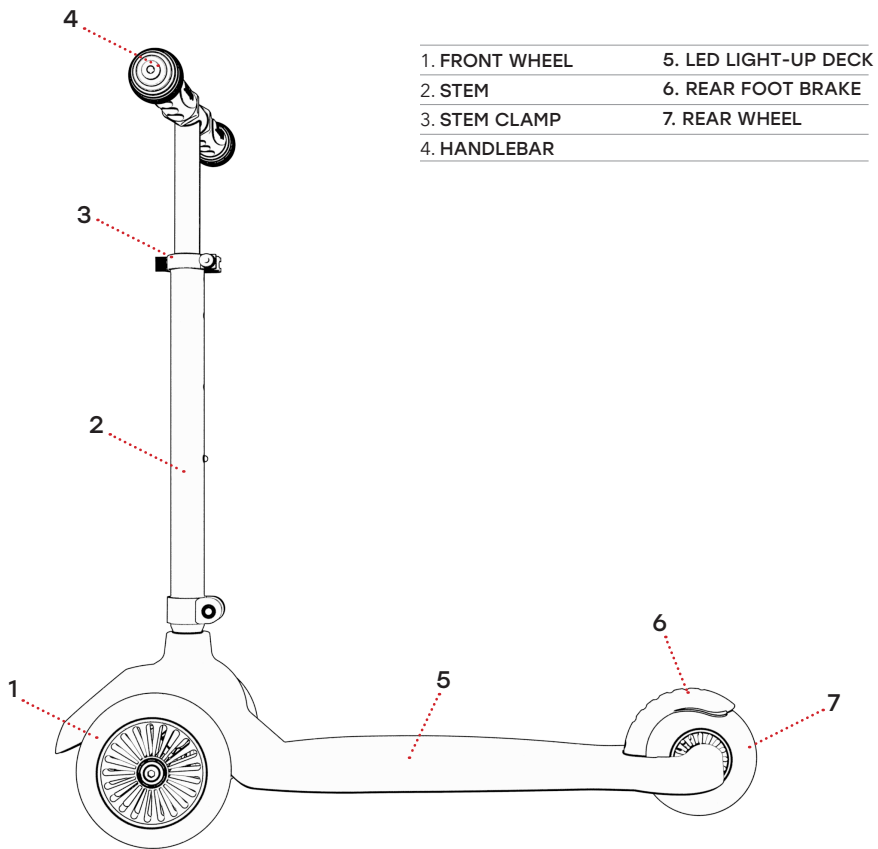
PIXEL

3 WHEEL LIGHT-UP KICK SCOOTER

TABLE OF CONTENTS

What's in the Box	1
Features & Specs	2
Assembly	3
Adjusting the Handlebar	4
Changing the Batteries	5
LED Lights	6
Riding the Pixel	7
Using the Rear Foot Brake	8
Care and Maintenance	9
Safety Warnings	10

1. WHAT'S IN THE BOX

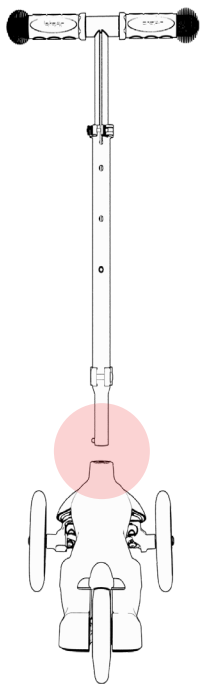


2. FEATURES & SPECS

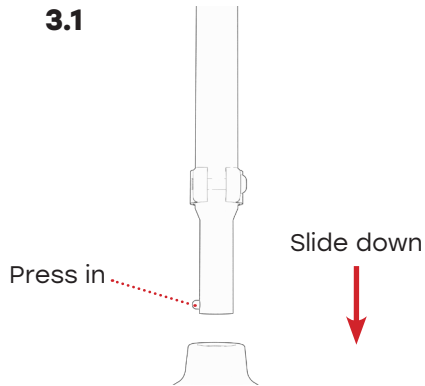
PIXEL

- Product Dimensions: 22.5" x 11" x 24"
- Handlebar Extension: Min: 24"; Max: 27"
- Deck Size: 11" x 4.5"
- Wheel Size: F: 125MM; R: 100MM
- Wheel Material: PVC Wheel with LED Lights
- Frame Material: Steel
- Product Weight: 4.2 lbs.
- Weight Limit: 100 lbs.
- Battery Type: 4 AAA (1.5V)
- Recommended Age: 3+

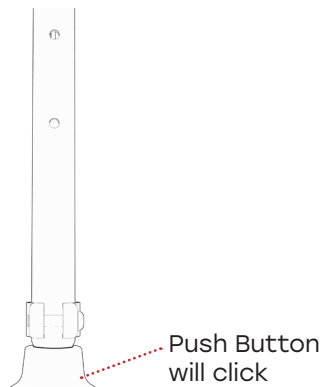
3. ASSEMBLY



3.1

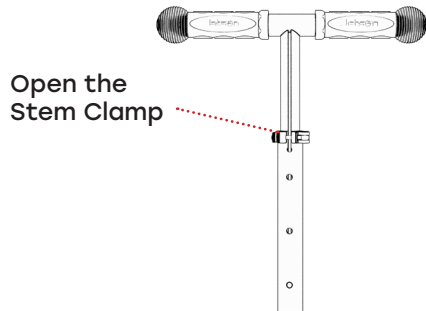


3.2

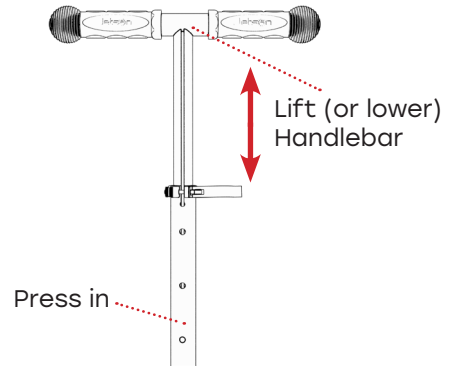


4. ADJUSTING THE HANDLEBAR

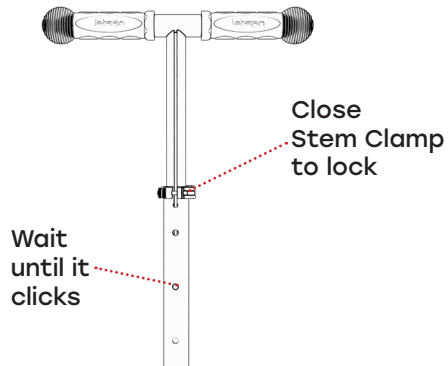
4.1



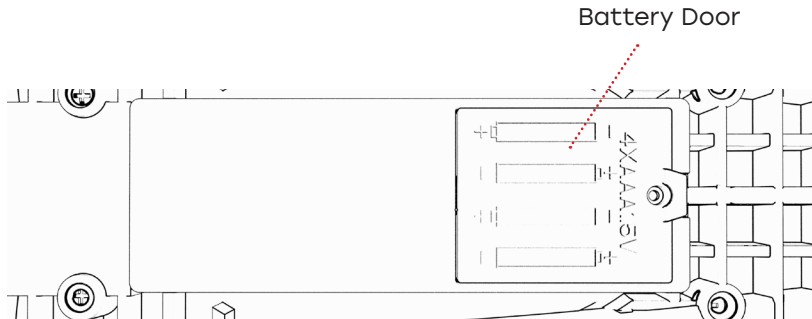
4.2



4.3



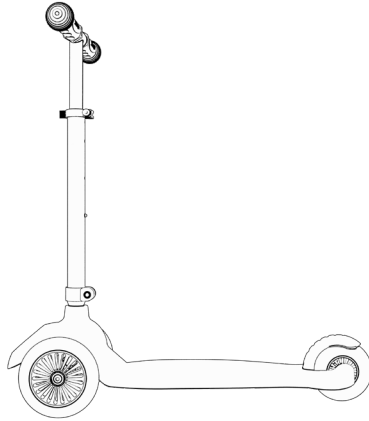
5. CHANGING THE BATTERIES



BATTERY DOOR

1. Open the Battery Door with a screwdriver.
2. Place 4 AAA batteries inside.
3. Close the Battery Door with that same screwdriver.
4. You're all set!

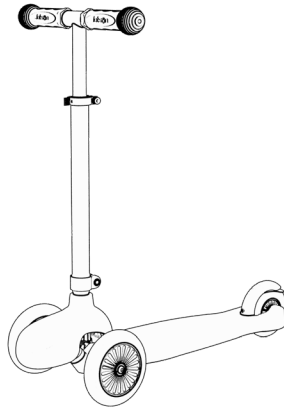
6. LED LIGHTS



LED LIGHT FUNCTIONS

- Step on the Deck to turn on the LED Deck Lights.
- The wheels are equipped with LED lights that will illuminate when riding, no batteries necessary (it's on the house).

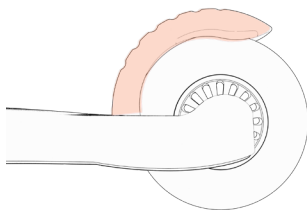
7. RIDING THE PIXEL



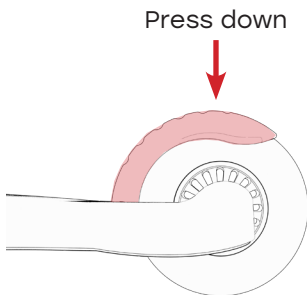
- Place one foot in front.
- Place the other foot in back, at a 70-90° angle.
- Turn the handlebar to the left or right to make turns.

8. USING THE REAR FOOT BRAKE

8.1



8.2



9. CARE AND MAINTENANCE

CLEANING THE PIXEL

To clean the Pixel, carefully wipe with a damp cloth, then dry with a dry cloth. Do not use water to clean the Pixel, this may damage the frame.

STORAGE

- Store the Pixel indoors, in a dry place.
- To protect against dust, cover the Pixel.

FEW MUST-DO'S


- Keep the Pixel away from fire and excessive heat.
- Do not subject the Pixel to intense physical shock, severe vibration, or impact.
- Please ride the Pixel on a smooth, flat surface (that's when it performs at its best).
- Protect from water or moisture.
- If there are any issues with the Pixel, please contact Jetson Customer Support. We'd love to help!

10. SAFETY WARNINGS

- For your safety, please read the user manual and safety warnings carefully, and make sure you understand and accept all the safety instructions. The user will be responsible for any loss or damage caused by improper use.
- Children, the elderly, pregnant women, and those with heart conditions should not use the product.
- The rider should not exceed 100 lbs.
- Do not ride at night.
- Do not use near motor vehicles.
- Do not ride after drinking or taking prescription medication.
- Do not ride the product if you have had any head, back, or neck ailments, or prior surgeries to those areas.
- Persons with any mental or physical conditions that may make them susceptible to injury or impair their dexterity or mental capabilities should recognize, understand, and perform all of the safety instructions and be able to assume the hazards inherent in using the product.
- Do not carry items when riding.
- Always wear shoes, a helmet, and appropriate safety gear.
- Prior to each ride, inspect each part of the product to ensure it has been maintained correctly and is functioning properly.
- Always give way to pedestrians.
- Always comply with local traffic laws and regulations.
- Be alert to things in front and far away from you.
- Make sure your feet are always placed securely on the deck.
- The product cannot be ridden by more than one person.
- When you ride the product along with other riders, always keep a safe distance to avoid a collision.
- When turning, be sure to maintain your balance.
- Do not allow distractions when riding, such as answering the phone or engaging in any other activities.
- Avoid riding in the rain or on smooth surfaces such as snow or ice.
- Do not ride on roads with obstacles (such as litter, small stones, etc.).
- Avoid riding in narrow spaces or on steep slopes.
- Avoid riding around flammable gas, steam, liquid, or dust that could cause fire.
- Never operate the product barefooted and keep shoelaces tied.
- Riding with improperly adjusted brakes is dangerous and can result in serious injury or death.

- Applying brakes too hard or too suddenly can lock up a wheel, which could cause you to lose control and fall. Sudden or excessive application of the brake may result in injury or death.
- Do not ride without proper training. Do not ride at high speeds, on uneven terrain, or on slopes. Do not perform stunts or turn abruptly.
- The area that the product is to be operated should be safe and suitable for safe operation.
- Check whether all safety labels are in place and understood before riding.
- The owner shall allow the use and operation of the unit after a demonstration that such operators can understand and operate all components of the unit before use.
- Operators shall adhere to all of the manufacturer's recommendations and instructions, as well as comply with all laws and ordinances.
- Only ride the product with adequate daylight conditions for visibility.
- We encourage you to highlight the product, for visibility, by using lighting, reflectors, and signal flags on flexible poles.

CALIFORNIA PROPOSITION 65

 **WARNING:** This product can expose you to a chemical such as Cadmium that is known to the State of California to cause cancer or birth defects or other reproductive harm. For more information go to www.p65warnings.ca.gov/product

MODIFICATIONS

Do not attempt to disassemble, modify, repair, or replace the product or any components of the unit without instruction from Jetson Customer Support. This will void any warranty, and can lead to malfunctions which may cause injury.

ADDITIONAL OPERATION CAUTIONS

Do not lift the product off the ground while it is on and the wheels are in motion. This can result in freely spinning wheels, which may cause injury to yourself or others nearby. Do not jump on or off the product, and do not jump while using it. Always keep your feet firmly planted on the deck while in operation.

This device complies with Part 15 of the FCC Rules. Operation is subject to the following two conditions: (1) This device may not cause harmful interference, and (2) this device must accept any interference received, including interference that may cause undesired operation.

Jetson

1-(888) 976-9904 • help@ridejetson.com • www.ridejetson.com

