

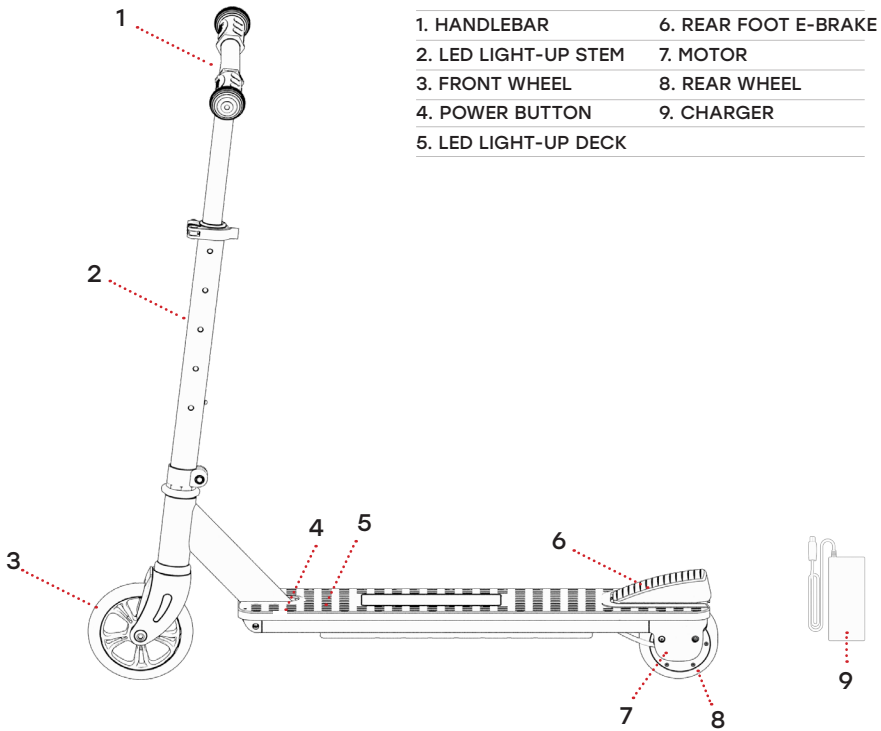
NEO

KIDS ELECTRIC LIGHT-UP SCOOTER

TABLE OF CONTENTS

What's in the Box	1
Features & Specs	2
Assembly	3
Charging the Battery	4
Adjusting the Handlebar	5
Turning the Neo On and Off	6
Riding the Neo	7
Using the Deck Sensor	8
Using the Brake	9
Care and Maintenance	10
Safety Warnings	11

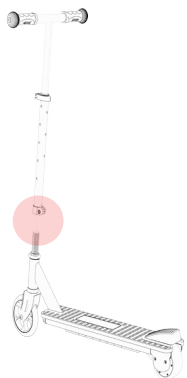
1. WHAT'S IN THE BOX



2. FEATURES & SPECS

- Weight Limit: 135 lbs.
- Product Weight: 11 lbs.
- Recommended Age: 8+
- Tire Size: Front - 5"; Rear - 3.5"
- Max Speed: Up To 6 mph
- Max Range: Up To 6 Miles
- Battery: 24V, 1.54Ah Lithium-Ion
- Motor: 120W Hub Motor
- Charger: UL 110-240V
- Charge Time: Up To 3 Hours
- Climbing Angle: Up To 15°
- Deck Size: 21" x 4.5"
- Frame: Aluminum Alloy

3. ASSEMBLY



3.1

Slide down

Carefully
tuck
excess
wire
in tube



Then run
the Bolt
through
the Clamp

3.2

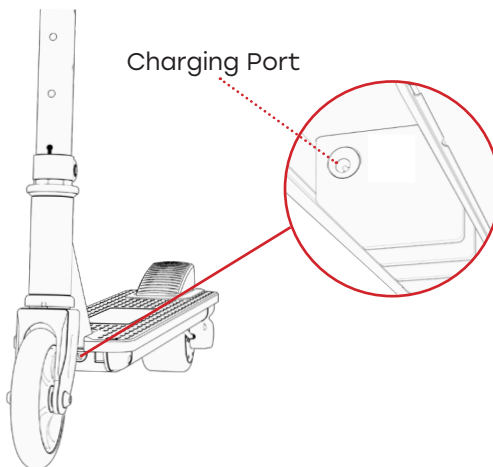
Tighten
Bolt



4. CHARGING THE BATTERY

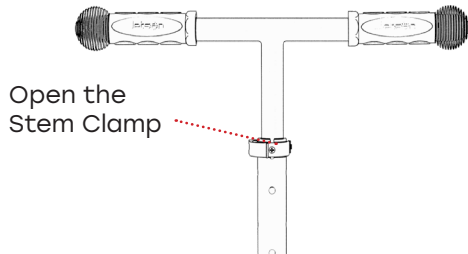
A few must-do's:

- Only use the included charger
- Plug the charger into the wall before the Charging Port
- Don't turn on the Neo while it's charging (it needs its rest)
- Charge the battery until it is fully charged, and no longer
- Cover the Charging Port when you are done
- Remember to have fun!

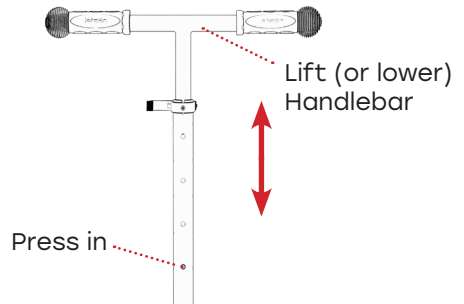


5. ADJUSTING THE HANDLEBAR

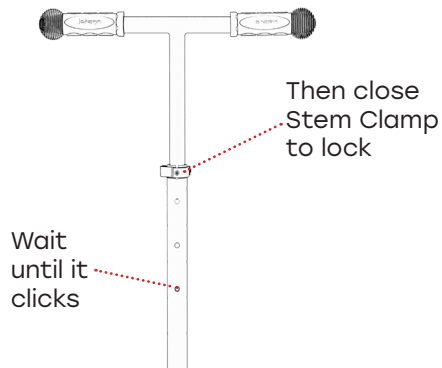
5.1



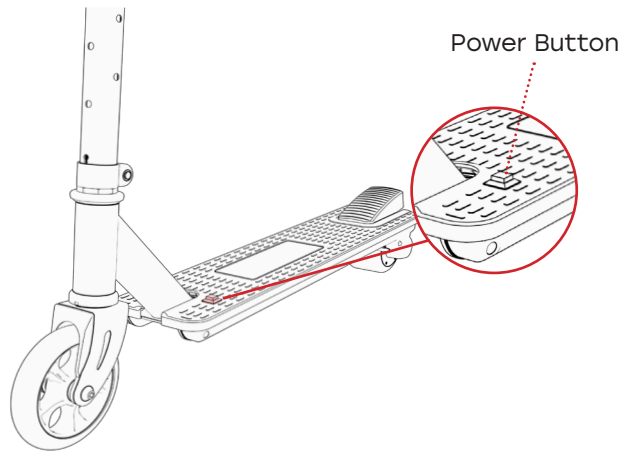
5.2



5.3

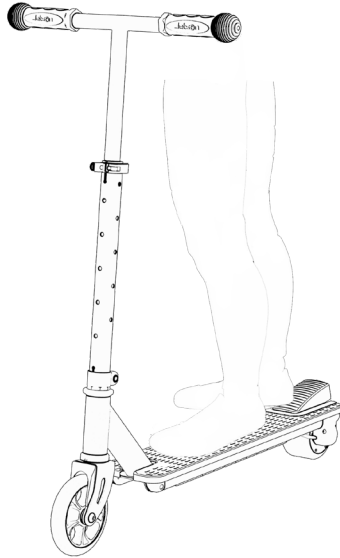


6. TURNING THE NEO ON AND OFF



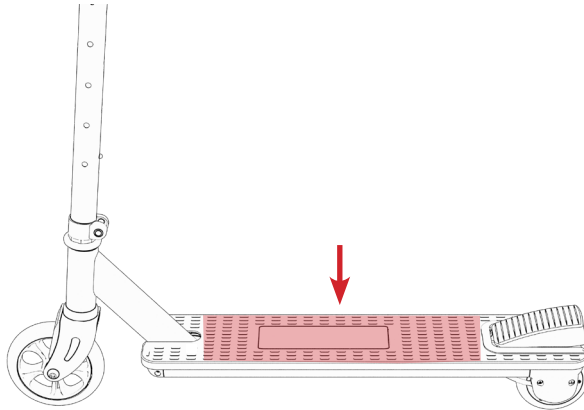
- Press the Power Button to turn the Neo on.
- Press the Power Button again to turn the Neo off.

7. RIDING THE NEO



- Place one foot in front.
- Place the other foot in back, at a 70-90° angle.
- Turn the Handlebar to the left or right to make turns.

8. USING THE DECK SENSOR

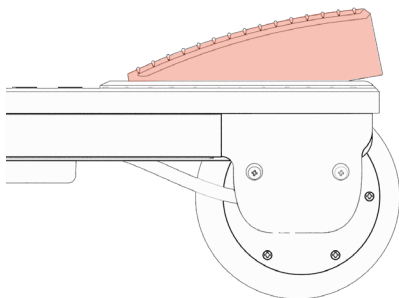


-The Neo is kick motion activated, you will need to push forward with one foot before using the motor.

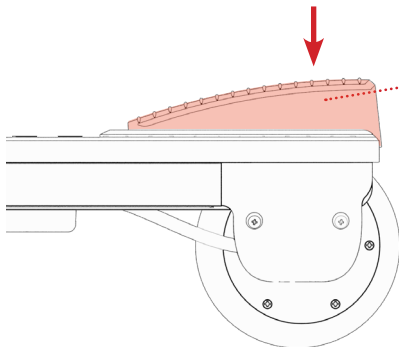
- Once in motion, the Deck Sensor activates the motor which propels the Neo up to 6 mph.

9. USING THE BRAKE

9.1



9.2



Using the Rear Foot
E-Brake will deactivate
the motor.

10. CARE AND MAINTENANCE

RIDING RANGE

The maximum range is 6 miles. However, a lot of factors will affect how far you can go per charge:

- **Driving Surface:** A smooth, flat surface will increase driving distance.
- **Weight:** More weight means less distance.
- **Temperature:** Ride and store the Neo above 50°F.
- **Maintenance:** Timely battery charging and maintenance will increase driving distance.
- **Speed and Driving Style:** Frequent starting and stopping will reduce driving distance.

CLEANING THE NEO

To clean the Neo, carefully wipe with a damp cloth, then dry with a dry cloth. Do not use water to clean the Neo, as the electrical and electronic systems may get wet, resulting in personal injury or malfunction of the Neo.

BATTERY

- Keep the Neo away from fire and excessive heat.
- Do not subject the Neo to intense physical shock, severe vibration, or impact.
- Protect from water or moisture.
- Do not disassemble the Neo or its battery.
- If there are any issues with the Neo, please contact Jetson Customer Support. We'd love to help!

STORAGE

- Fully charge the battery before storing. The battery should be fully charged once a month after this.
- To protect against dust, cover the Neo.
- Store the Neo indoors, in a dry place and at a suitable temperature.
- You should bring the Neo into a warm environment for charging.

11. SAFETY WARNINGS

- For your safety, please read the user manual and safety warnings carefully, and make sure you understand and accept all the safety instructions. The user will be responsible for any loss or damage caused by improper use.
- Children, the elderly, pregnant women, and those with heart conditions should not use the Neo.
- Do not ride at night.
- Do not use near motor vehicles.
- Do not ride after drinking or taking prescription medication.
- Do not ride the Neo if you have had any head, back, or neck ailments, or prior surgeries to those areas.
- Persons with any mental or physical conditions that may make them susceptible to injury or impair their dexterity or mental capabilities should recognize, understand, and perform all of the safety instructions and be able to assume the hazards inherent in using the Neo.
- Do not carry items when riding.
- Always wear shoes, a helmet, and appropriate safety gear.
- Prior to each ride, inspect each part of the Neo to ensure it has been maintained correctly and is functioning properly.
- Always give way to pedestrians.
- Always comply with local traffic laws and regulations.
- Be alert to things in front and far away from you.
- Make sure your feet are always placed securely on the deck.
- The Neo cannot be ridden by more than one person.
- When you ride the Neo along with other riders, always keep a safe distance to avoid a collision.
- When turning, be sure to maintain your balance.
- Do not allow distractions when riding, such as answering the phone or engaging in any other activities.
- Avoid riding in the rain or on smooth surfaces such as snow or ice.
- Do not ride on roads with obstacles (such as litter, small stones, etc.).
- Avoid riding in narrow spaces or on steep slopes.
- Avoid riding around flammable gas, steam, liquid, or dust that could cause fire.
- Never operate the products barefooted and keep shoelaces tied.
- Riding with improperly adjusted brakes is dangerous and can result in serious injury or death.
- Applying brakes too hard or too suddenly can lock up a wheel, which could cause

you to lose control and fall. Sudden or excessive application of the brake may result in injury or death.

- Do not ride without proper training. Do not ride at high speeds, on uneven terrain, or on slopes. Do not perform stunts or turn abruptly.
- The area that the Neo is to be operated should be safe and suitable for safe operation.
- Check whether all safety labels are in place and understood before riding.
- The owner shall allow the use and operation of the unit after a demonstration that such operators can understand and operate all components of the unit before use.
- Operators shall adhere to all of the manufacturer's recommendations and instructions, as well as comply with all laws and ordinances.
- Only ride the Neo with adequate daylight conditions for visibility.
- We encourage you to highlight the Neo, for visibility, by using lighting, reflectors, and signal flags on flexible poles.

CALIFORNIA PROPOSITION 65

 **WARNING:** This product contains chemicals, including lead, which are known to the state of California to cause cancer, birth defects, and other medical conditions.

MODIFICATIONS

Do not attempt to disassemble, modify, repair, or replace the Capsule or any components of the unit without instruction from Jetson Customer Support. This will void any warranty, and can lead to malfunctions which may cause injury.

ADDITIONAL OPERATION CAUTIONS

Do not lift the Capsule off the ground while it is on and the wheels are in motion. This can result in freely spinning wheels, which may cause injury to yourself or others nearby. Do not jump on or off the Capsule, and do not jump while using it. Always keep your feet firmly planted on the deck while in operation. Always check the battery charge before using.

This device complies with Part 15 of the FCC Rules. Operation is subject to the following two conditions: (1) This device may not cause harmful interference, and (2) this device must accept any interference received, including interference that may cause undesired operation.

Jetson

1-(888) 976-9904 • help@ridejetson.com • www.ridejetson.com

