

# JETSON



**JOURNEY**  
ELECTRIC BIKE



## TABLE OF CONTENTS

What's in the Box	3
Features & Specs	6
Attaching the Handlebar	7
Attaching the Fender and Headlight	8
Attaching the Front Disc Brake	9
Attaching the Front Tire	10
Attaching the Seat	12
Attaching the Pedals	13
Charging the Battery	14
Operating the Journey	15
LCD Display	16
Pedal Assist Mode	17
Connecting to Bluetooth®	18
Riding the Journey	19
Care and Maintenance	20
Safety Warnings	21
Safety Checklist	23



# 1. WHAT'S IN THE BOX

1. FRONT TIRE	6. SEAT
2. HEADLIGHT	7. FRONT DISC BRAKE
3. HANDLEBAR	8. KICKSTAND
4. CHARGING PORT	9. CHARGER
5. SEAT CLAMP	10. CHARGING CABLE



Assembling the Journey should take between 30-35 minutes (including unboxing).

## 2. FEATURES & SPECS

- Product Dimensions: 72" x 26" x 44"
- Weight Limit: 300 lbs / 136 kg
- Product Weight: 42 lbs / 19 kg
- Recommended Age: 13+
- Tire Size: 27.5" Cruiser Tires
- Pedal Assist: 9 Levels
- Shimano Gears: 7-Speeds
- Max Speed: Up To 20 mph / 32 km/h
- Max Range: Up To 30 miles / 48 km
- Battery: 36V, 7.8Ah Lithium-Ion
- Motor: 250W Hub Motor
- Charger: 110-240V
- Charge Time: Up To 6 Hours
- Climbing Angle: Up To 15°

### 3. ATTACHING THE HANDLEBAR

**3.1**



Remove the 4 bolts from the Metal Guard on the Handlebar Stem. Then, remove the Metal Guard.

**3.2**



Place the Handlebar into the Handlebar Stem. Make sure the markings on the Handlebar are centered.

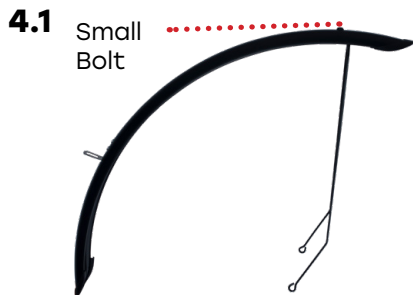
**3.3**



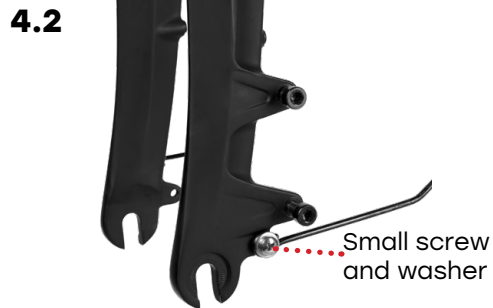
Replace the Metal Guard by tightening the 4 bolts.

Please Note: Assembling the Journey should take between 30-35 minutes (including unboxing).

## 4. ATTACHING THE FENDER AND HEADLIGHT



Connect the Support Bars to the Fender using the small bolt in the Fender.



Connect the Support Bars to the Front Fork using the 2 small screws and 2 washers.



Connect the Fender and Headlight to the Front Fork using the Large Bolt and Washer.

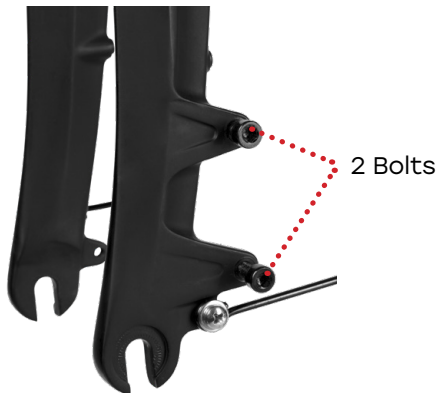


Connect the two small wires to the back of the Headlight.



## 5. ATTACHING THE FRONT DISC BRAKE

### 5.1



---

### 5.2

Connect the Front Disc Brake to the Front Fork using the 2 bolts



## 6. ATTACHING THE FRONT TIRE

6.1



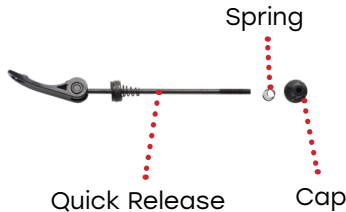
Remove the plastic protector from the Fork. Then, Slide the Front Tire between the Fork.

6.2



Hook the Fork onto both sides of the tire and slide the Disc Brake into the Disc.

6.3



Remove the Cap and one Spring from the Quick Release.

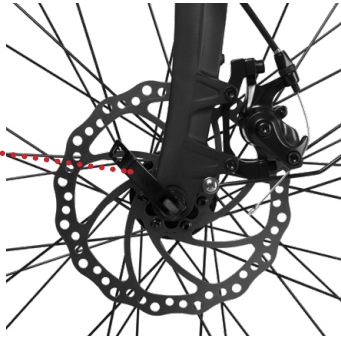
6.4



Slide the Quick Release through the Front Tire. Then, place the Spring and Cap back onto the Quick Release.

## 6.5

Close Lever



Tighten the Cap and Lever.  
Close the Lever to lock.

---

## 6.6



## 7. ATTACHING THE SEAT



- Slide the Seat Post into the Seat Tube.
- Close the Seat Clamp to secure the Seat.
- If necessary, tighten the Seat Clamp by turning the Lever and Knob.

## 8. ATTACHING THE PEDALS



- Please look at the inside of each Pedal and see which is labeled Right (R) and Left (L).
- Tighten by turning the Pedals toward the Front Tire.
- Use a 15mm wrench to make sure the Pedals are tight and secure.

## 9. CHARGING THE BATTERY

A few must-do's:

- Only use the included charger
- Plug the charger into the wall before the Charging Port
- Don't turn on the Journey while it's charging (it needs its rest)
- Charge the battery until it is fully charged - up to 5 hours
- Replace the cover over the Charging Port when done
- Remember to have fun!

### CHARGING INDICATOR ON THE CHARGER:

Red Light: Battery is charging

Green/ Blue Light: Charging is complete



## 10. OPERATING THE JOURNEY



1. **Handbrakes** - Squeeze the Handbrakes to come to a stop (apply the brakes slowly to avoid stopping abruptly or losing control).

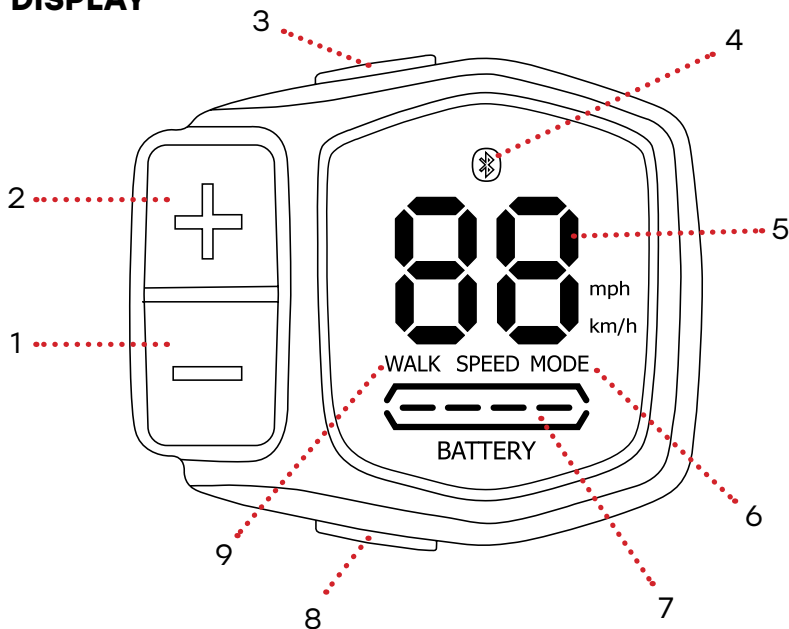
2. **Bell**

3. **LCD Display** - Shows Battery Level, Speedometer, and more. Please see the next section for more information.

4. **Gear Shifters** - Controls the Derailleur which shifts the chain between the larger and smaller chainrings. A higher gear is faster and harder to pedal. A lower gear is easier to pedal.

**Please Note: The rider must be pedaling forward to switch gears.**

## 11. LCD DISPLAY



**1.** Decrease Button

**2.** Increase Button

**3.** Power Button

**4.** Bluetooth® Indicator

**5.** Speedometer

**6.** Pedal Assist Mode

**7.** Battery Indicator

**8.** Walk Button

**9.** Walk Mode

**Power Button:** Hold for 3 seconds to turn the LCD Display on or off.

Double click to switch between mph and km/h.

**Increase Button:** Press to increase the Pedal Assist level.

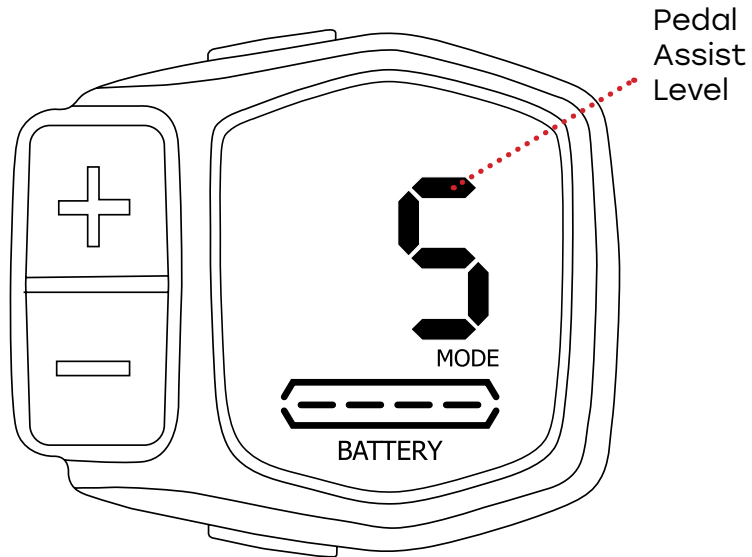
**Decrease Button:** Press to decrease the Pedal Assist level.

**Walk Button:** Hold for 3 seconds to turn the Walk Mode on or off.

When Walk Mode is activated, the Journey will move at about 3 mph.



## 12. PEDAL ASSIST MODE



The Pedal Assist Mode provides power from the motor.

**Level (0)** – will not use Pedal Assist

**Level (1-3)** – Low Pedal Assist will require effort from you to pedal

**Level (4-6)** – Medium Pedal Assist will require some effort from you to pedal

**Level (7-9)** – High Pedal Assist will require minimal effort from you

## 13. CONNECTING TO BLUETOOTH®

Your Jetson Journey is Bluetooth® 4.0 enabled, so you can pair it with the Ride Jetson app on your personal Bluetooth® enabled device. The Ride Jetson app is available for download from the App Store and the Google Play Store, and it's free!

To connect to the Ride Jetson app:

- Open the Ride Jetson app on your handheld device.
- Tap the Bluetooth® symbol in the top left corner of the app.
- Select your Journey. Default password is 000000. (To customize your password, go to Settings in the app. If you forget your new password, please contact Jetson Customer Support).
- You should now be connected to the Journey!

Extra features available with the Ride Jetson app:

- Keep track of your travel time and distance.

## 14. RIDING THE JOURNEY



- Before each ride, check that the Handlebar and Seat are secure, the tire pressure is sufficient, and the brake system works correctly.
- Tighten all screws and locking nuts before each ride to ensure they are tight.
- While riding the Journey, keep your feet on the Pedals.
- Do not ride with your feet dangling over the sides and always stay seated while riding.

## 15. CARE AND MAINTENANCE

### RIDING RANGE

The maximum range is up to 30 miles. However, a lot of factors will affect how far you can go per charge:

- Driving Surface: A smooth, flat surface will increase driving distance.
- Weight: More weight means less distance.
- Temperature: Ride and store the Journey above 50°F.
- Maintenance: Timely battery charging and maintenance will increase driving distance.
- Speed and Driving Style: Frequent starting and stopping will reduce driving distance.

### CLEANING THE JOURNEY

To clean the Journey, carefully wipe with a damp cloth, then dry with a dry cloth. Do not use water to clean the Journey, as the electrical and electronic systems may get wet, resulting in personal injury or malfunction of the Journey.

### BATTERY

- Keep the Journey away from fire and excessive heat.
- Do not subject the Journey to intense physical shock, severe vibration, or impact.
- Protect from water or moisture.
- Do not disassemble the Journey or its battery.
- If there are any issues with the battery, please contact Jetson Customer Support. We'd love to help!

### STORAGE


- Fully charge the battery before storing. The battery should be fully charged once a month after this.
- To protect against dust, cover the Journey.
- Store the Journey indoors, in a dry place and at a suitable temperature.
- You should bring the Journey into a warm environment for charging.

## 16. SAFETY WARNINGS

- For your safety, please read the user manual and safety warnings carefully, and make sure you understand and accept all the safety instructions. The user will be responsible for any loss or damage caused by improper use.
- Children, the elderly, pregnant women, and those with heart conditions should not use this product.
- The rider should not exceed 300 lbs.
- Do not ride at night.
- Do not use near motor vehicles.
- Do not ride after drinking or taking prescription medication.
- Do not ride this product if you have had any head, back, or neck ailments, or prior surgeries to those areas.
- Persons with any mental or physical conditions that may make them susceptible to injury or impair their dexterity or mental capabilities should recognize, understand, and perform all of the safety instructions and be able to assume the hazards inherent in using this product.
- Do not carry items when riding.
- Always wear shoes, a helmet, and appropriate safety gear.
- Prior to each ride, inspect each part of the product to ensure it has been maintained correctly and is functioning properly.
- Tighten all screws and locking nuts before each ride to ensure they are tight.
- Always give way to pedestrians.
- Always comply with local traffic laws and regulations.
- Be alert to things in front and far away from you.
- Make sure your feet are always placed securely on the deck.
- The product cannot be ridden by more than one person.
- When you ride this product along with other riders, always keep a safe distance to avoid a collision.
- When turning, be sure to maintain your balance.
- Do not allow distractions when riding, such as answering the phone or engaging in any other activities.
- Avoid riding in the rain or on smooth surfaces such as snow or ice.
- Do not ride on roads with obstacles (such as litter, small stones, etc.).
- Avoid riding in narrow spaces or on steep slopes.
- Avoid riding around flammable gas, steam, liquid, or dust that could cause fire.
- Never operate this product barefooted and keep shoelaces tied.
- Riding with improperly adjusted brakes is dangerous and can result in serious injury or death.

- Applying brakes too hard or too suddenly can lock up a wheel, which could cause you to lose control and fall. Sudden or excessive application of the brake may result in injury or death.
- Do not ride without proper training. Do not ride at high speeds, on uneven terrain, or on slopes. Do not perform stunts or turn abruptly.
- The area that this product is to be operated should be safe and suitable for safe operation.
- Check whether all safety labels are in place and understood before riding.
- The owner shall allow the use and operation of the unit after a demonstration that such operators can understand and operate all components of the unit before use.
- Operators shall adhere to all of the manufacturer's recommendations and instructions, as well as comply with all laws and ordinances.
- Only ride the product with adequate daylight conditions for visibility.
- We encourage you to highlight the product, for visibility, by using lighting, reflectors, and signal flags on flexible poles.

### **CALIFORNIA PROPOSITION 65**

 **WARNING:** This product can expose you to the chemical Cadmium which is known to the State of California to cause cancer and birth defects or other reproductive harm. For more information, go to [www.P65warning.ca.gov](http://www.P65warning.ca.gov).

### **MODIFICATIONS**

Do not attempt to disassemble, modify, repair, or replace the unit or any components of the unit without instruction from Jetson Customer Support. This will void any warranty, and can lead to malfunctions which may cause injury.

### **ADDITIONAL OPERATION CAUTIONS**

Do not lift the product off the ground while it is on and the wheels are in motion. This can result in freely spinning wheels, which may cause injury to yourself or others nearby. Do not jump on or off the product, and do not jump while using it. Always keep your feet firmly planted on the pedals while in operation. Always check the battery charge before using.

This device complies with Part 15 of the FCC Rules. Operation is subject to the following two conditions: (1) This device may not cause harmful interference, and (2) this device must accept any interference received, including interference that may cause undesired operation.

## **17. SAFETY CHECKLIST**

### **FOR SAFETY AND TO LIMIT THE RISK OF FIRE AND ELECTRIC SHOCK:**

- A. Read all the instructions before using the product.
- B. To reduce the risk of injury, close supervision is necessary when the product is used near children.
- C. Do not put fingers or hands into the product.
- D. Do not use this product if the flexible power cord or output cable is frayed, has broken insulation, or any other signs of damage.
- E. This equipment is not intended to be used at ambient temperatures less than  $-10^{\circ}\text{C}$  ( $14^{\circ}\text{F}$ ) or above ambient temperatures of  $45^{\circ}\text{C}$  ( $113^{\circ}\text{F}$ ).
- F. The battery is intended to be charged when the ambient temperature is between  $-10^{\circ}\text{C}$  ( $14^{\circ}\text{F}$ ) and  $45^{\circ}\text{C}$  ( $113^{\circ}\text{F}$ ). Never charge the battery when ambient temperatures are outside this range.

### **CONDUCT THESE IMPORTANT SAFETY CHECK BEFORE EVERY RIDE:**

#### **BRAKES**

- Check that the brakes are in good working order.
- Check that the brake pads are not worn, are aligned, and are centered correctly.
- Check that the handbrake levers are lubricated and are secured to the handlebar.

#### **STEERING**

- Check that the handlebar and stem aligned with the front fork and are securely tightened.

#### **CRANKS AND PEDALS**

- Check that the pedals are securely tightened to the cranks and that the cranks are tightened to the axle.
- Make sure the pedals rotate forwards and backwards smoothly.
- Check that the rear axle is lubricated.

**WHEELS AND TIRES**

- Make sure that the tires are inflated to within their maximum recommended tire pressure of 45 - 60 PSI.
- Check tires for excessive wear or any damage and that the wheel rims are not damaged. Check that the wheel spokes are not broken and that the axle nuts are tight.

**CHAIN**

- Make sure all bearings are lubricated and run smoothly.

**FRAME AND FORK**

- Check that the frame and fork are not damaged or broken.





**JETSON**

US 1-(888) 976-9904  
help@ridejetson.com  
www.ridejetson.com

