

**JETSON**



Limited Edition

# Jupiter

Light-Up Kick Scooter.

## A guide for your ride.

IMPORTANT: READ CAREFULLY AND RETAIN FOR FUTURE REFERENCE.

MODEL: JJRSP-2KIK

Designed in Brooklyn



**Jetson's top two riding rules:  
Be safe. Have fun!**



# Contents

|  |    |
|--|----|
| <b>Safety Warnings</b> .....               | 4  |
| <b>Product Overview</b> .....              | 6  |
| <b>Specs &amp; Features</b> .....          | 8  |
| <b>Unfolding/Folding the Scooter</b> ..... | 9  |
| <b>Handlebar Assembly</b> .....            | 12 |
| <b>Adjusting the Handlebar</b> .....       | 13 |
| <b>Using the Brake</b> .....               | 15 |
| <b>Inserting the Batteries</b> .....       | 16 |
| <b>Riding the Scooter</b> .....            | 17 |
| <b>Using the LED Lights</b> .....          | 18 |
| <b>Helmet Safety</b> .....                 | 19 |
| <b>Care &amp; Maintenance</b> .....        | 20 |
| <b>Warranty</b> .....                      | 20 |

# Safety Warnings

- Before use, please read the user manual and safety warnings carefully, and make sure you understand and accept all the safety instructions. The user will be responsible for any loss or damage caused by improper use.
- Before each cycle of operation, the operator shall perform the preoperation checks specified by the manufacturer: That all guards and pads originally supplied by the manufacturer are in proper place and in serviceable condition; That the braking system is functioning properly; That any and all axle guards, chain guards, or other covers or guards supplied by the manufacturer are in place and in serviceable condition; That tires are in good condition, inflated properly, and have sufficient tread remaining; The area that the product is to be operated should be safe and suitable for safe operation.
- Components shall be maintained and repaired in accordance with the manufacturer's specifications and using only the manufacturer's authorized replacement parts with installation performed by dealers or other skilled persons.
- Warning against recharging non-rechargeable batteries.
- Don't allow hands, feet, hair, body parts, clothing, or similar articles to come in contact with moving parts, wheels, or drive train, while the motor is running.
- This product should not be used by children or persons with reduced physical, sensory or mental capabilities, or lack of experience and knowledge, unless they have been given supervision or instruction (IEC 60335-1/A2:2006).
- Unsupervised children should not play with the product (IEC 60335-1/A2:2006).
- Adult supervision is required.
- The rider should not exceed 132 lb.
- Units shall not be operated to perform racing, stunt riding, or other maneuvers, which may cause loss of control, or may cause uncontrolled operator/passenger actions or reactions.
- Never use near motor vehicles.
- Avoid sharp bumps, drainage grates, and sudden surface changes. Scooter may suddenly stop.
- Avoid streets and surfaces with water, sand, gravel, dirt, leaves, and other debris. Wet weather impairs traction, braking, and visibility.
- Avoid riding around flammable gas, steam, liquid, or dust that could cause fire.
- Operators shall adhere to all of the manufacturer's recommendations and instructions, as well as comply with all laws and ordinances: Units without headlights shall be operated only with adequate daylight conditions of visibility, and; Owners shall be encouraged to highlight (for conspicuity) using lighting, reflectors, and for low-riding units, signal flags on flexible poles.
- Persons with the following conditions shall be cautioned not to operate: Those with heart conditions; Pregnant women; Persons with head, back, or neck ailments, or prior surgeries to those areas of the body; and persons with any mental or physical conditions that may make them susceptible to injury or impair their physical dexterity or mental capabilities to recognize, understand, and perform all of the safety instructions and to be able to assume the hazards inherent in unit use.
- Do not ride at night.
- Do not ride after drinking or taking prescription medication.
- Do not carry items when riding.
- Never operate the product barefooted.
- Always wear shoes and keep shoelaces tied.
- Make sure your feet are always placed securely on the deck.
- Operators always shall use appropriate protective clothing, including but not limited to a helmet, with appropriate certification, and any other equipment recommended by the manufacturer: Always wear protective equipment such as helmet, knee pads, and elbow pads.
- Always give way to pedestrians.
- Be alert to things in front and far away from you.
- Do not allow distractions when riding, such as answering the phone or engaging in any other activities.
- The product cannot be ridden by more than one person.
- When you ride the product along with other riders, always keep a safe distance to avoid a collision.
- When turning, be sure to maintain your balance.
- Riding with improperly adjusted brakes is dangerous and can result in serious injury or death.
- The brake may become hot while operating, do not touch the brake with your bare skin.

- Applying brakes too hard or too suddenly can lock up a wheel, which could cause you to lose control and fall. Sudden or excessive application of the brake may result in injury or death.
- If the brake loosens, please adjust with the hexagon wrench, or please contact the Jetson Care Team.
- Replace worn or broken parts immediately.
- Check whether all safety labels are in place and understood before riding.
- The owner shall allow the use and operation of the unit after a demonstration that such operators can understand and operate all components of the unit before use.
- Do not ride without proper training. Do not ride at high speeds, on uneven terrain, or on slopes. Do not perform stunts or turn abruptly.
- Recommended for indoor use.
- Prolonged exposure to UV rays, rain and the elements may damage the enclosure materials, store indoors when not in use.

## California Proposition 65

# WARNING:

This product can expose you to chemical Cadmium, which is known to the State of California to cause cancer and birth defects or other reproductive harm. For more information, go to [www.P65Warnings.ca.gov](http://www.P65Warnings.ca.gov).


### MODIFICATIONS

Do not attempt to disassemble, modify, repair, or replace the unit or any components of the unit without instruction from the Jetson Care Team. This will void any warranty, and can lead to malfunctions which may cause injury.

### ADDITIONAL OPERATION PRECAUTIONS

Do not lift the product off the ground while it is on and the wheels are in motion. This can result in freely spinning wheels, which may cause injury to yourself or others nearby. Do not jump on or off the product, and do not jump while using it. Always keep your feet firmly planted on the foot rest while in operation. Always check the battery charge before using.

### DISPOSAL OF USED BATTERY

 Battery may contain hazardous substances which could endanger the environment and human health. This symbol marked on the battery and/or packaging indicates that used battery shall not be treated as municipal waste. Batteries should be disposed of at an appropriate collection point for recycling. By ensuring the used batteries are disposed of correctly, you will help preventing potential negative consequences for the environment and human health. The recycling of materials will help to conserve natural resources. For more information about recycling of used batteries, please contact your local municipality waste disposal service.

# Product Overview

1. HANDLEBAR
2. STEM CLAMP
3. STEM (LED LIGHT-UP)
4. FOLDING MECHANISM
5. FRONT WHEEL  
(MOTION-ACTIVATED LED LIGHT-UP)
6. LOCKING LEVER
7. KNOB
8. DECK (LED LIGHT-UP)
9. LIGHTING CONTROL BUTTON
10. BATTERY COMPARTMENT
11. REAR FOOT BRAKE
12. REAR WHEEL  
(MOTION-ACTIVATED LED LIGHT-UP)

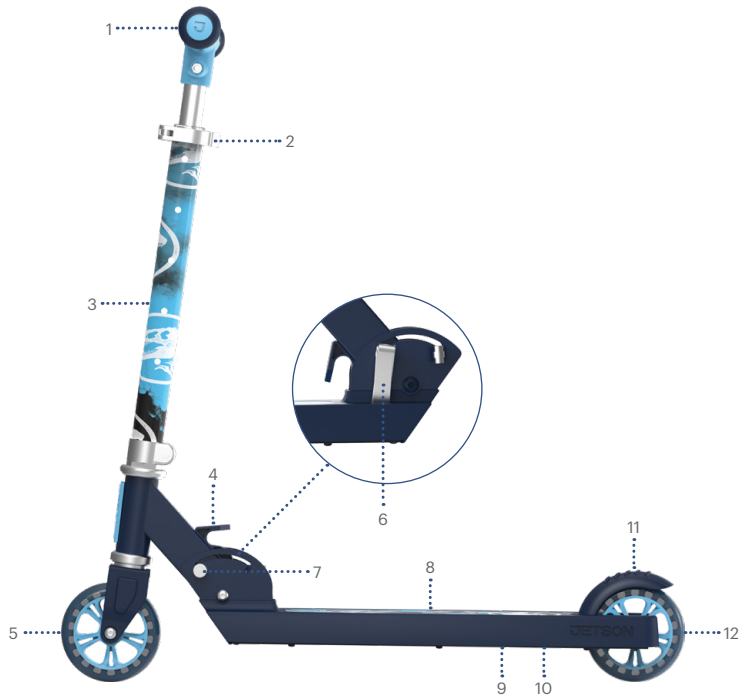
## **TOOL INCLUDED:**



**2-BIT PHILLIPS-HEAD SCREWDRIVER  
AND ALLEN KEY TOOL**

\* ADULTS MUST ASSIST CHILDREN IN THE INITIAL ADJUSTMENT PROCEDURES OF THE PRODUCT.





NOTE: IMAGES MAY NOT REFLECT EXACT APPEARANCE OF ACTUAL PRODUCT.

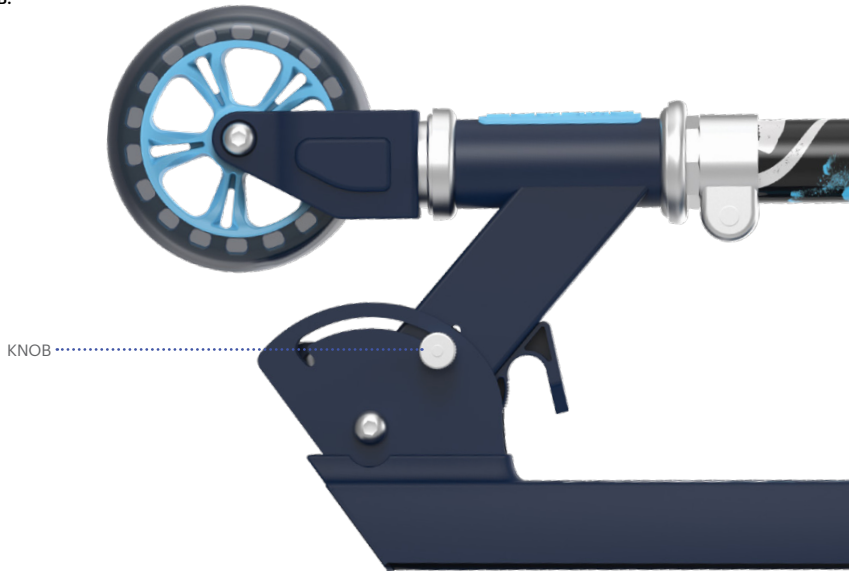
# Specs & Features

- WEIGHT LIMIT: 132 LBS
- PRODUCT WEIGHT: 6 LBS
- WHEEL SIZE: 4"
- FOLDED DIMS: 24"(L) × 10.5"(W) × 8.5"(H)
- UNFOLDED DIMS: 24"(L) × 10.5"(W) × 29"(H)
- DECK DIMS: 17.5"(L) × 3.5"(W)
- HANDLEBAR HEIGHT: 29" - 34"
- 3 AA BATTERIES REQUIRED (NOT INCLUDED)
- RECOMMENDED AGE: 5+

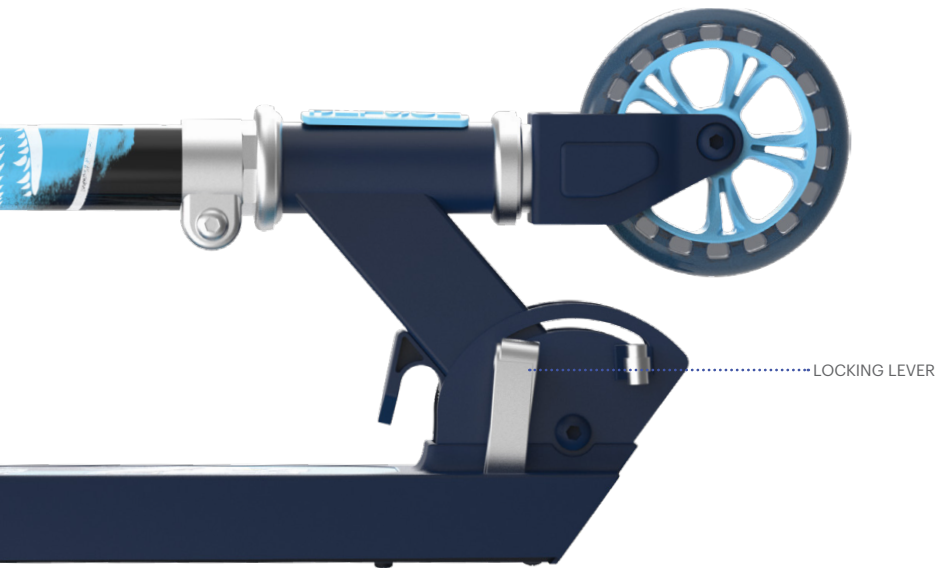
# 1. Getting Started

## 1.1 Unfolding/Folding the Scooter

1. LOOSEN THE KNOB.



- 2. OPEN THE LOCKING LEVER.**  
(LOCATED ON THE OPPOSITE SIDE OF THE KNOB)

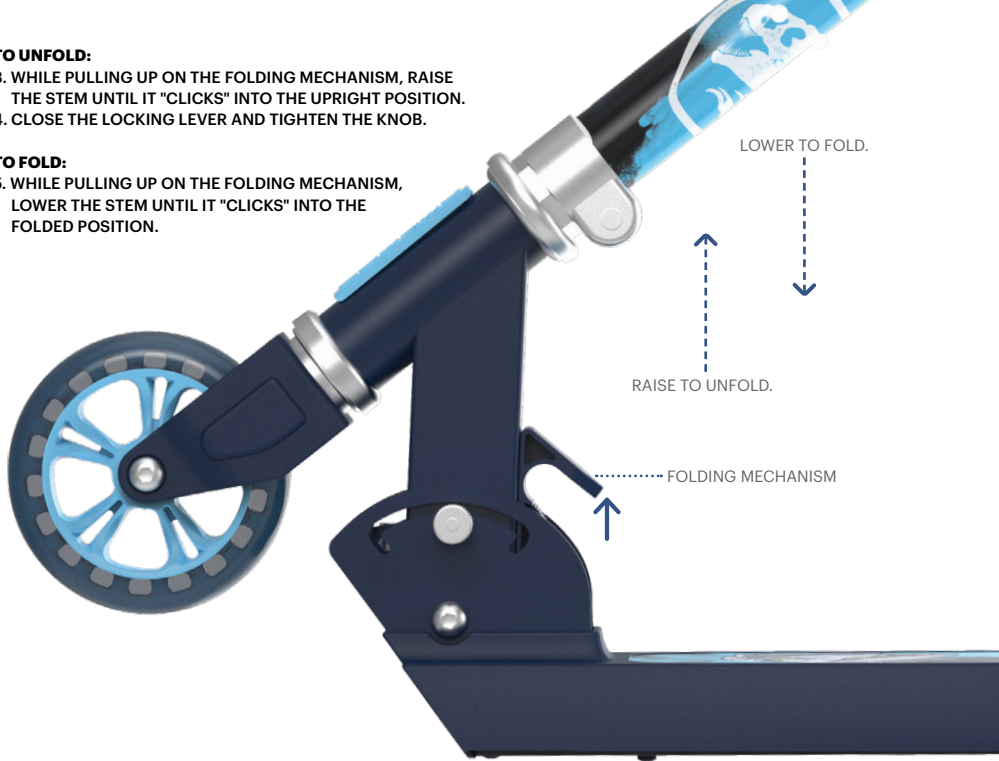


**TO UNFOLD:**

3. WHILE PULLING UP ON THE FOLDING MECHANISM, RAISE THE STEM UNTIL IT "CLICKS" INTO THE UPRIGHT POSITION.
4. CLOSE THE LOCKING LEVER AND TIGHTEN THE KNOB.

**TO FOLD:**

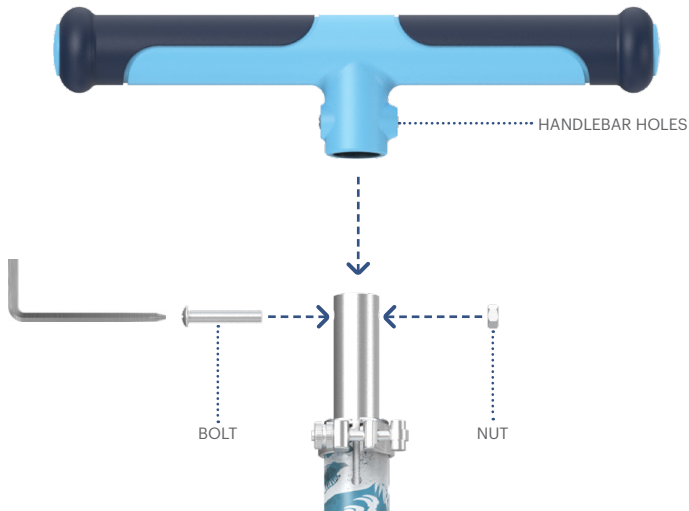
5. WHILE PULLING UP ON THE FOLDING MECHANISM, LOWER THE STEM UNTIL IT "CLICKS" INTO THE FOLDED POSITION.



## 1.2 Handlebar Assembly

1. USING THE SCREWDRIVER TIP OF THE 2-BIT TOOL, UNSCREW THE PRE-ATTACHED BOLT AND NUT FROM THE BASE OF THE HANDLEBAR.
2. SLIDE THE HANDLEBAR ONTO THE SCOOTER STEM.
3. PUSH DOWN AND ADJUST UNTIL THE HOLES IN THE HANDLEBAR BASE ARE ALIGNED WITH THE HOLES IN THE STEM.
4. FROM THE RIGHT SIDE WHEN STANDING ON THE SCOOTER, INSERT THE BOLT THROUGH ALL FOUR HOLES. TIGHTEN WITH THE SCREWDRIVER.

**IMPORTANT: PLACE THE BOLT ON THE RIGHT SIDE WHEN FACING THE FRONT OF THE SCOOTER FROM RIDING POSITION. PLEASE MAKE SURE THAT THE BOLT AND NUT ARE SECURED AND TIGHTENED PRIOR TO RIDING.**



### 1.3 Adjusting the Handlebar

1. OPEN THE STEM CLAMP LEVER.
2. USING THE ALLEN KEY TIP OF THE 2-BIT TOOL, LOOSEN THE KNOB TO WIDEN THE CLAMP.



STEM PIN

3. WHILE PRESSING IN THE STEM PIN, LIFT OR LOWER THE HANDLEBAR UNTIL THE PIN CLICKS INTO ANOTHER STEM PIN HOLE.
4. WHEN YOU HEAR IT CLICK, CLOSE THE STEM CLAMP LEVER AND TIGHTEN THE KNOB WITH THE ALLEN KEY.
5. MAKE SURE THE HANDLEBAR IS SECURE.

**IMPORTANT: THE STEM PIN ALONE WILL NOT KEEP THE STEM SECURE. MAKE SURE THE STEM CLAMP IS TIGHTENED AND CLOSED BEFORE RIDING.**

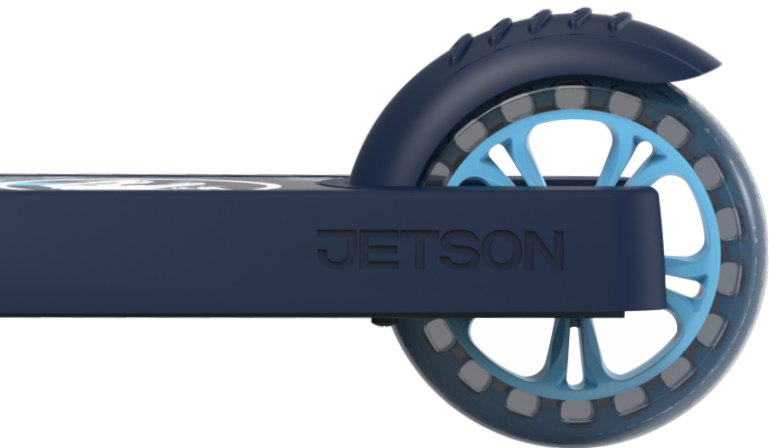
STEM PIN HOLE





## 1.4 Using the Brake

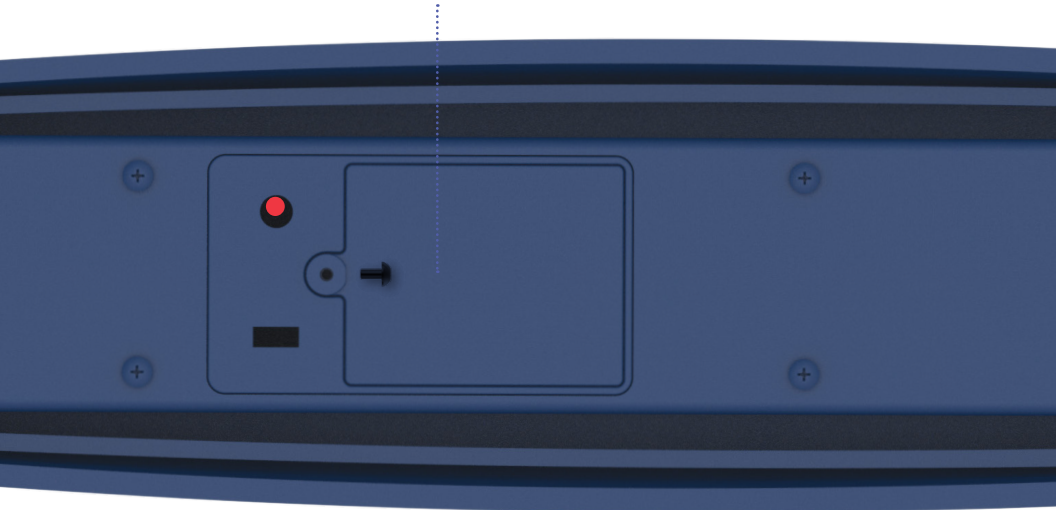
PRESS DOWN GENTLY WITH THE REAR RIDING FOOT TO SLOW DOWN.  
APPLY MORE PRESSURE TO COME TO A COMPLETE STOP.



## 1.5 Inserting the Batteries

1. OPEN THE BATTERY DOOR, LOCATED UNDER THE DECK, USING THE SCREWDRIVER TIP OF THE 2-BIT TOOL.
2. PLACE 3 AA BATTERIES INSIDE ACCORDING TO THE +/- DIRECTIONS INDICATED INSIDE THE BATTERY COMPARTMENT.
3. USE THE SCREWDRIVER TO SECURE THE BATTERY COMPARTMENT COVER.

BATTERY COMPARTMENT



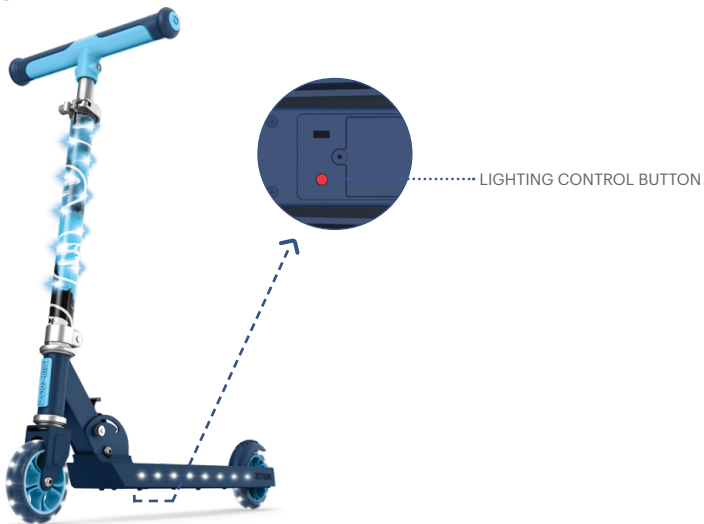
## 2. Making Moves

### 2.1 Riding the Scooter

1. PLACE ONE FOOT ON THE FRONT OF THE DECK FACING FORWARD.
2. USE THE BACK FOOT TO PUSH OFF THE GROUND AND PROPEL THE SCOOTER FORWARD.
3. TO COAST, PLACE THE KICKING FOOT ON THE DECK BEHIND THE FRONT FOOT AT A SLIGHT ANGLE.
4. ROTATE THE HANDLEBAR TO THE LEFT OR RIGHT TO MAKE TURNS.



## 2.2 Using the LED Lights



1. QUICK-PRESS THE LIGHTING CONTROL BUTTON TO TURN ON THE LED LIGHTS.
2. YOU CAN CYCLE THROUGH 7 DIFFERENT LIGHT FUNCTIONS BY QUICK-PRESSING THE LIGHTING CONTROL BUTTON AGAIN. (THE 8TH TIME WILL TURN OFF THE LIGHTS.)
3. TO SKIP THE CYCLE AND TURN OFF THE LIGHTS, HOLD THE LIGHTING CONTROL BUTTON FOR 3 SECONDS.

**IMPORTANT: REMEMBER TO TURN OFF THE LIGHTS WHEN YOU'RE DONE RIDING THE SCOOTER TO PRESERVE THE BATTERY.**

## 2.3 Helmet Safety



**PROPER POSITIONING:  
THE FOREHEAD IS COVERED  
BY THE HELMET.**



**IMPROPER POSITIONING:  
THE FOREHEAD IS EXPOSED.  
A FALL COULD RESULT IN SERIOUS INJURY.**

\* WEAR A HELMET, APPROPRIATE CLOTHING, SHOES, AND SAFETY GEAR. AVOID CLOTHING THAT CAN GET CAUGHT INTO OR UNDER THE WHEELS. CLOSED-TOE, FLAT SHOES ARE RECOMMENDED. WEAR AN ASTM F1492 APPROVED HELMET AND PROTECTIVE GEAR TO PREVENT INJURY IN THE EVENT OF AN ACCIDENT.

# Care & Maintenance

## **CLEANING THE SCOOTER**

- TO CLEAN THE SCOOTER, CAREFULLY WIPE WITH A DAMP CLOTH AND THEN DRY WITH A DRY CLOTH.
- DO NOT APPLY WATER DIRECTLY TO THE SCOOTER. WATER CAN CAUSE DAMAGE OR DETERIORATION, WHICH COULD LEAD TO A MALFUNCTION THAT PUTS RIDER SAFETY AT RISK.

## **PRECAUTIONS**

- KEEP AWAY FROM FIRE AND EXCESSIVE HEAT.
- AVOID INTENSE PHYSICAL IMPACT AND/OR SEVERE VIBRATION.
- PLEASE RIDE THE SCOOTER ON A SMOOTH, FLAT SURFACE.
- PROTECT FROM WATER OR MOISTURE.
- CONTACT THE JETSON CARE TEAM IF THERE ARE ANY ISSUES WITH THE SCOOTER.

## **STORING THE SCOOTER**

- STORE THE SCOOTER INDOORS AND IN A DRY PLACE.
- COVER THE SCOOTER TO PROTECT IT AGAINST DUST.

# Warranty

## **ONE-YEAR GENERAL LIMITED WARRANTY**

All new Jetson products, excluding parts and accessories, are warranted against defects in materials and workmanship for a period of one year from the date of original retail purchase when used in accordance with Jetson's user manuals (refer to [ridejetson.com/support](https://ridejetson.com/support)).

**Under this warranty, you will be able to direct your claims to Jetson even in situations where you purchased the Jetson Product from one of our authorized retailers.**

To read the full terms of our warranty, visit [ridejetson.com/warranty](https://ridejetson.com/warranty).

## Stay connected.

Be sure to follow **@ridejetson**  
on social media to learn about fantastic offers,  
giveaways, and all the latest Jetson news.



## Loving your ride?

Then be sure to leave a review at [ridejetson.com/reviews](https://ridejetson.com/reviews).  
We can't wait to hear from you!

**JETSON**

**#MakeMoves**

# Questions? Let us know.

[ridejetson.com/support](https://ridejetson.com/support)  
[ridejetson.com/chat](https://ridejetson.com/chat)

To exercise your product's  
1-year limited warranty  
or inquire about warranty  
coverage, contact us directly.

US/CANADA: 1-888-976-9904

MEX: +001 888 976 9904

UK: +44 (0)33 0838 2551

Manufactured in Yongkang, China  
Imported by Jetson Electric Bikes LLC.  
P.O. Box 320149, 775 4th Ave #2,  
Brooklyn, NY 11232



[WWW.JURASSICWORLD.COM](http://WWW.JURASSICWORLD.COM)

© Universal City Studios LLC and Amblin  
Entertainment, Inc. All Rights Reserved.



[www.ridejetson.com](http://www.ridejetson.com)

Made in China

Date Code: 06/2022

Document Edition: v1.2