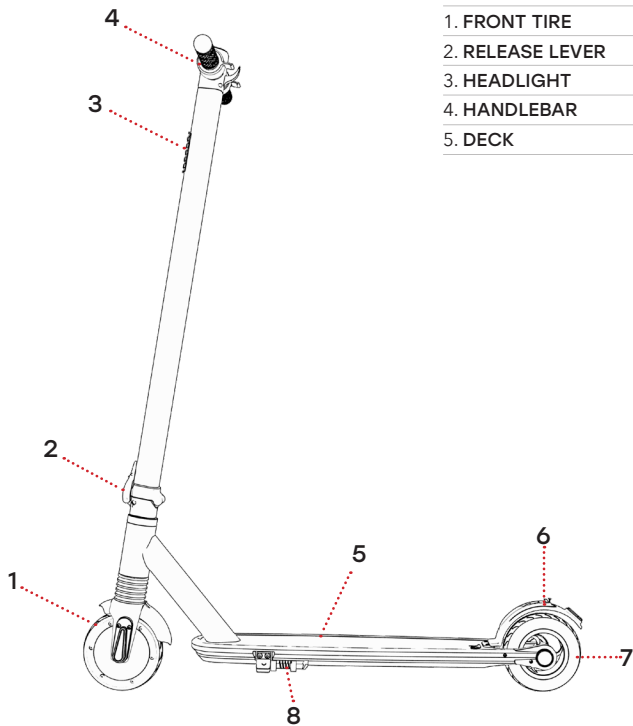


ELEMENT
ELECTRIC FOLDING SCOOTER

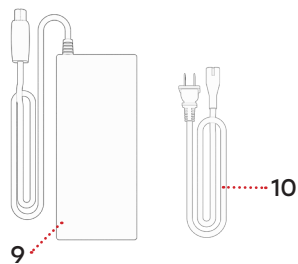
TABLE OF CONTENTS

What's in the Box	1
Features & Specs	2
Assembly	3
Charging the Battery	4
Unfolding the Element	5
Operating the Element	6
Speed Settings	7
Settings Mode	8
Riding the Element	9
Using the Thumb Throttle	10
Using the E-Brake	11
Using the Rear Foot Brake	12
Using the Kickstand	13
Folding the Element	14
Care and Maintenance	15
Safety Warnings	16

1. WHAT'S IN THE BOX



1. FRONT TIRE	6. REAR FOOT BRAKE
2. RELEASE LEVER	7. REAR TIRE
3. HEADLIGHT	8. KICKSTAND
4. HANDLEBAR	9. CHARGER
5. DECK	10. CHARGING CABLE

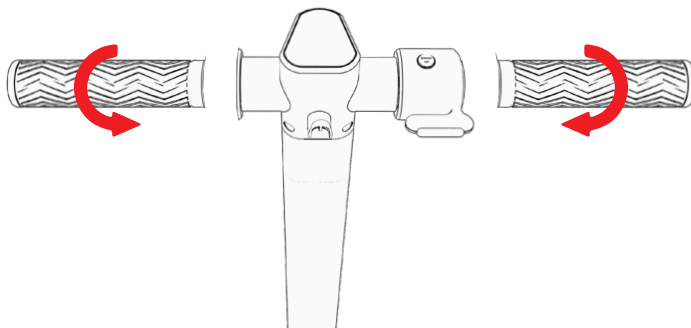


2. FEATURES & SPECS

ELEMENT

- Product Dimensions: 37.01" x 17.91" x 44.69"
- Weight Limit: 220 lbs.
- Product Weight: 18.7 lbs.
- Recommended Age: 13+
- Tire Size: 6"
- Max Speed: Up To 15 mph
- Max Range: Up To 10 Miles
- Battery: 24V, 5.0Ah Lithium-Ion
- Motor: 250W Hub Motor
- Charger: 100-240V
- Charge Time: Up To 4 Hours
- Climbing Angle: Up To 15°
- Frame Material: Aluminum

3. ASSEMBLY



Connecting the Handlebars:

- Look at the inside of each Handlebar and see which is labeled L (left) and R (right).
- Place L into the left side and R into the right side (left and right directions are as though you are standing on the Deck).
- Tighten by turning the Handlebars until they can no longer turn. Make sure the Handlebars are tight and secure.

4. CHARGING THE BATTERY

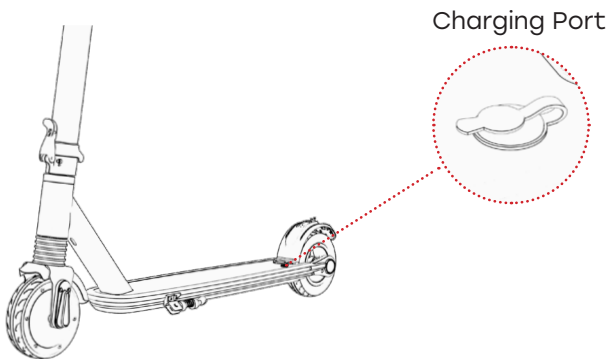
A few must-do's:

- Only use the included charger
- Plug the charger into the wall before the Charging Port
- Don't turn on the Element while it's charging (it needs its rest)
- Charge the battery until it is fully charged - up to 4 hours
- Replace the cover over the Charging Port when done
- Remember to have fun!

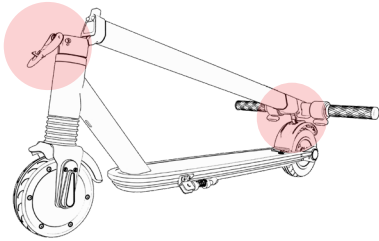
CHARGING INDICATOR ON THE CHARGER:

Red Light: Battery is charging

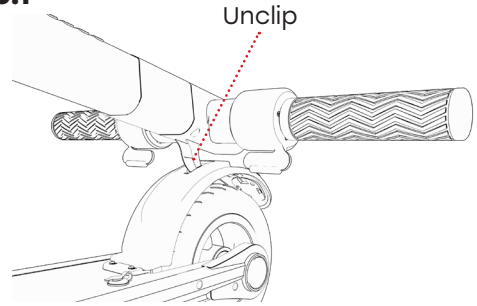
Green Light: Charging is complete



5. UNFOLDING THE ELEMENT

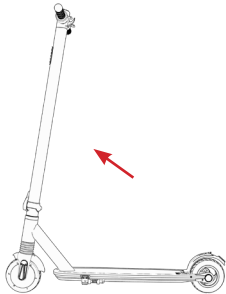


5.1



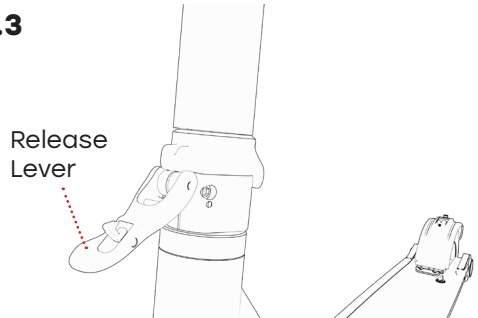
Unclip the hook from the Rear Foot Brake

5.2



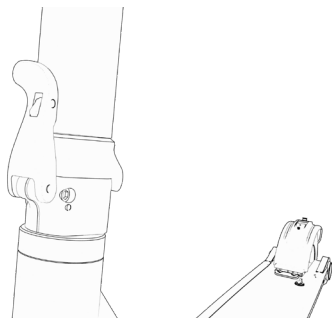
Lift Handlebars away from Deck

5.3



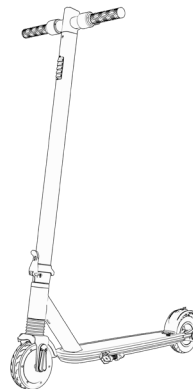
Lock the Release Lever by lifting it up until it clicks.

5.4

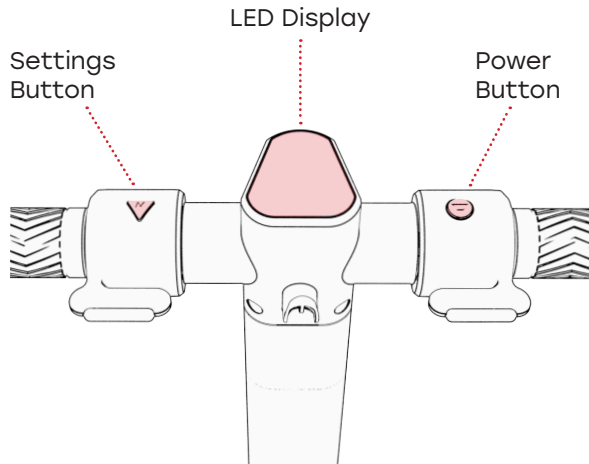


Make sure the Release Lever and Handlebars are secure.

5.5

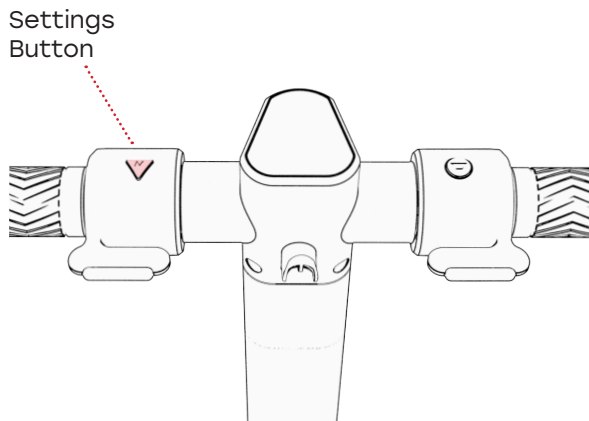


6. OPERATING THE ELEMENT



- Powering On/Off - Hold the Power Button for 3 seconds to turn the Element on or off.
- Light Function - Once the Element is on, tap the Power Button to turn on the headlight and taillight. The light symbol will show on the LED Display.
- LED Display - Shows current speed and battery life remaining.

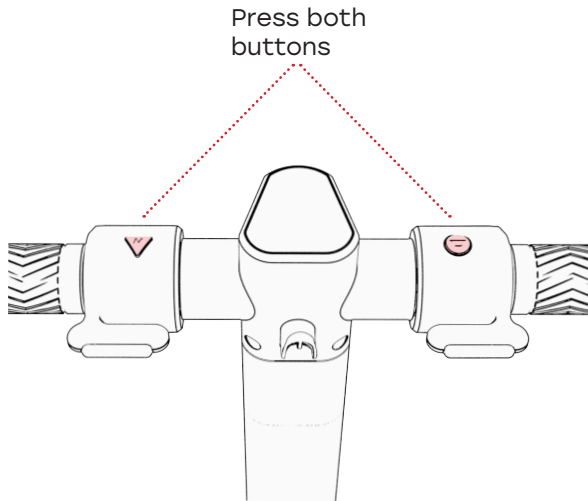
7. SPEED SETTINGS



Press the Settings Button to cycle through the speed settings.

- P0 - No assistance from the motor
- P1 - Max speed up to 6 mph
- P2 - Max speed up to 11 mph
- P3 - Max speed up to 15 mph

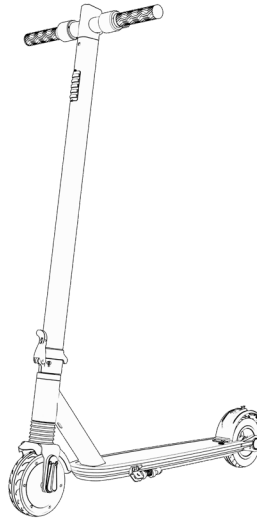
8. SETTINGS MODE



Hold the Power Button and Settings Button at the same time to enter the Settings Mode. Once in the Settings Mode, tap the Power Button to cycle through the options (C1, C2, C3).

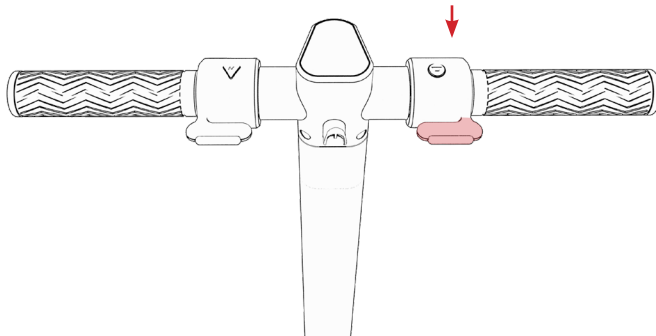
- C1 - Tap the Settings Button to switch between mph and km/h.
- C2 - Tap the Settings Button to turn on Kick Motion Motor Activation. In this mode, the motor will only turn on when the scooter is in motion.
- C3 - Tap the Settings Button to turn Cruise Control on and off.

9. RIDING THE ELEMENT



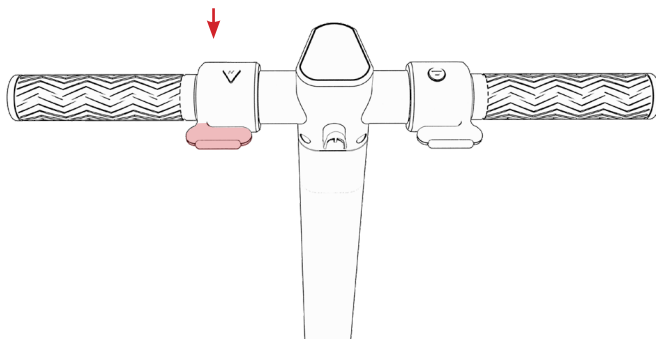
- Place one foot in front.
- Place the other foot in back, at a 70-90° angle.
- Turn the handlebar to the left or right to make turns.

10. USING THE THUMB THROTTLE



Quick Note: Try to take it easy on the throttle until you get used to it.

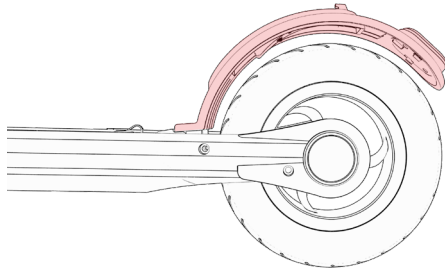
11. USING THE E-BRAKE



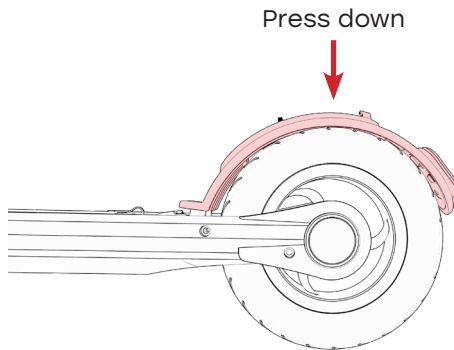
Quick Note: Press down on the E-Brake slowly to avoid stopping abruptly or losing control.

12. USING THE REAR FOOT BRAKE

12.1

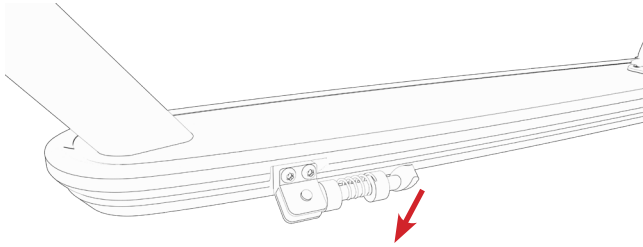


12.2

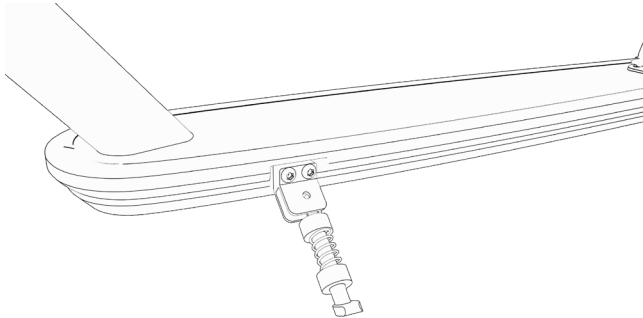


13. USING THE KICKSTAND

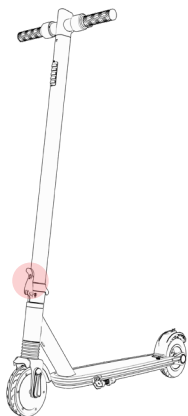
13.1



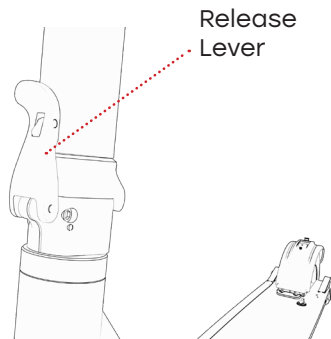
13.2



14. FOLDING THE ELEMENT

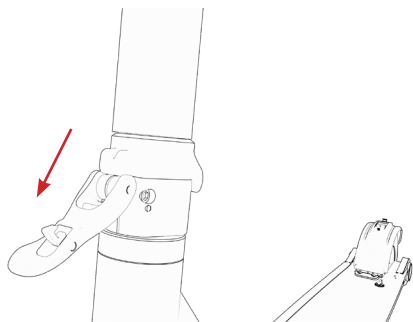


14.1

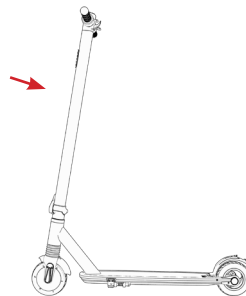


Open the Release Lever.

14.2

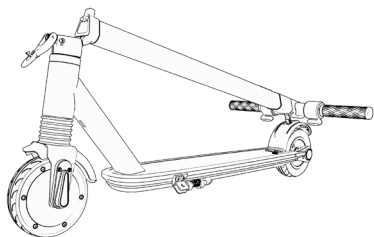


14.3

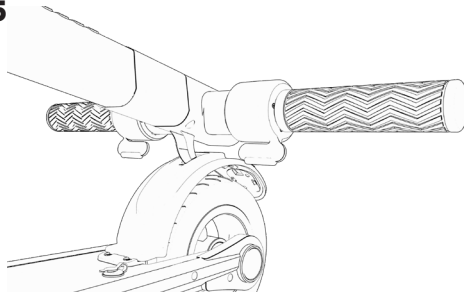


Lower the Handlebar towards the Deck.

14.4



14.5



Connect the hook to the Rear Foot Brake.

15. CARE AND MAINTENANCE

RIDING RANGE

The maximum range is 10 miles. However, a lot of factors will affect how far you can go per charge:

- Driving Surface: A smooth, flat surface will increase driving distance.
- Weight: More weight means less distance.
- Temperature: Ride and store the Element above 50°F.
- Maintenance: Timely battery charging and maintenance will increase driving distance.
- Speed and Driving Style: Frequent starting and stopping will reduce driving distance.

CLEANING THE ELEMENT

To clean the Element, carefully wipe with a damp cloth, then dry with a dry cloth. Do not use water to clean the Element, as the electrical and electronic systems may get wet, resulting in personal injury or malfunction of the Element.

BATTERY

- Keep the Element away from fire and excessive heat.
- Do not subject the Element to intense physical shock, severe vibration, or impact.
- Protect from water or moisture.
- Do not disassemble the Element or its battery.
- If there are any issues with the battery, please contact Jetson Customer Support. We'd love to help!

STORAGE

- Fully charge the battery before storing. The battery should be fully charged once a month after this.
- To protect against dust, cover the Element.
- Store the Element indoors, in a dry place and at a suitable temperature.
- You should bring the Element into a warm environment for charging.

16. SAFETY WARNINGS

- For your safety, please read the user manual and safety warnings carefully, and make sure you understand and accept all the safety instructions. The user will be responsible for any loss or damage caused by improper use.
- Children, the elderly, pregnant women, and those with heart conditions should not use this product.
- The rider should not exceed 220 lbs.
- Do not ride at night.
- Do not use near motor vehicles.
- Do not ride after drinking or taking prescription medication.
- Do not ride this product if you have had any head, back, or neck ailments, or prior surgeries to those areas.
- Persons with any mental or physical conditions that may make them susceptible to injury or impair their dexterity or mental capabilities should recognize, understand, and perform all of the safety instructions and be able to assume the hazards inherent in using this product.
- Do not carry items when riding.
- Always wear shoes, a helmet, and appropriate safety gear.
- Prior to each ride, inspect each part of the product to ensure it has been maintained correctly and is functioning properly.
- Always give way to pedestrians.
- Always comply with local traffic laws and regulations.
- Be alert to things in front and far away from you.
- Make sure your feet are always placed securely on the deck.
- The product cannot be ridden by more than one person.
- When you ride this product along with other riders, always keep a safe distance to avoid a collision.
- When turning, be sure to maintain your balance.
- Do not allow distractions when riding, such as answering the phone or engaging in any other activities.
- Avoid riding in the rain or on smooth surfaces such as snow or ice.
- Do not ride on roads with obstacles (such as litter, small stones, etc.).
- Avoid riding in narrow spaces or on steep slopes.
- Avoid riding around flammable gas, steam, liquid, or dust that could cause fire.
- Never operate this product barefooted and keep shoelaces tied.
- Riding with improperly adjusted brakes is dangerous and can result in serious injury or death.

- Applying brakes too hard or too suddenly can lock up a wheel, which could cause you to lose control and fall. Sudden or excessive application of the brake may result in injury or death.
- Do not ride without proper training. Do not ride at high speeds, on uneven terrain, or on slopes. Do not perform stunts or turn abruptly.
- The area that this product is to be operated should be safe and suitable for safe operation.
- Check whether all safety labels are in place and understood before riding.
- The owner shall allow the use and operation of the unit after a demonstration that such operators can understand and operate all components of the unit before use.
- Operators shall adhere to all of the manufacturer's recommendations and instructions, as well as comply with all laws and ordinances.
- Only ride the product with adequate daylight conditions for visibility.
- We encourage you to highlight the product, for visibility, by using lighting, reflectors, and signal flags on flexible poles.

CALIFORNIA PROPOSITION 65

 **WARNING:** This product contains chemicals, including lead, which are known to the state of California to cause cancer, birth defects, and other medical conditions.

MODIFICATIONS

Do not attempt to disassemble, modify, repair, or replace the unit or any components of the unit without instruction from Jetson Customer Support. This will void any warranty, and can lead to malfunctions which may cause injury.

ADDITIONAL OPERATION CAUTIONS

Do not lift the product off the ground while it is on and the wheels are in motion. This can result in freely spinning wheels, which may cause injury to yourself or others nearby. Do not jump on or off the product, and do not jump while using it. Always keep your feet firmly planted on the deck while in operation. Always check the battery charge before using.

This device complies with Part 15 of the FCC Rules. Operation is subject to the following two conditions: (1) This device may not cause harmful interference, and (2) this device must accept any interference received, including interference that may cause undesired operation.



1 Rewe Street, Brooklyn, NY 11211

1-(888) 976-9904 • help@ridejetson.com • www.ridejetson.com

