

# JETSON

## Aqua Sea Scooter.

### A guide for your ride.

Model: JAQUA-GRN



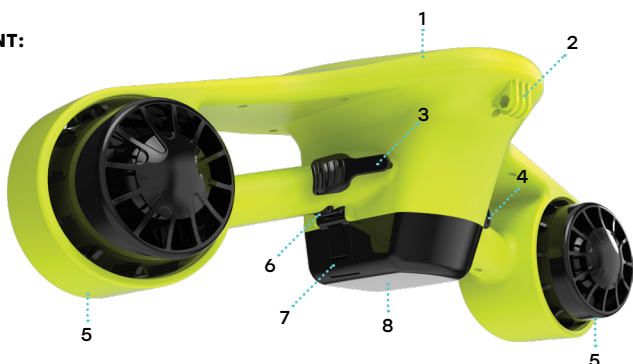


**Remember to be  
safe and  
most importantly,  
have fun!**

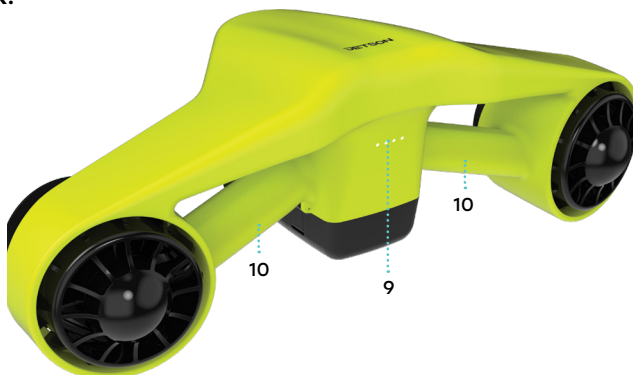
# What's in the Box

1. Float Compartment
2. Camera Mount
3. Right Toggle / FWD
4. Left Toggle / REV
5. Motor / Propeller
6. Switch Lock
7. Battery Pack Lock
8. Battery Pack
9. LED Indicators
10. Handles

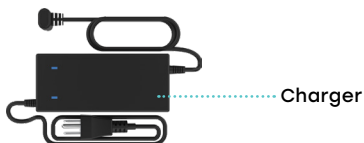
## FRONT:



## BACK:



Please fully charge the battery prior to use.



Please Note: Images may not reflect exact appearance of actual product.

# Specs & Features

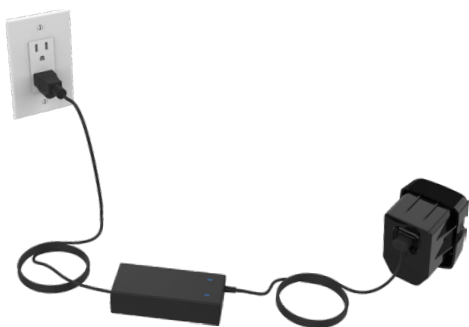
- Max Weight: 125 lb
- Recommended Age: 12+
- Product Weight: 7.7 lb
- Product Dimensions: 20.7" x 8.3" x 6.8"
- Rating: IP68
- Max Depth: Up to 99 ft
- Max Speed: Up to 1.5 M/S
- Battery Type: Lithium-Ion
- Battery Capacity: 5.0Ah
- Motor: 300W x 2
- Run Time: 35 Min
- Charger: 100-240V
- Charge Time: Up to 3 Hours
- Working Temperature: 32°-104° F

## BEFORE YOU BEGIN

Before learning to use the Aqua, You must read this user manual to follow all instructions and warnings. It is important that you follow all safety warnings and cautions that appear throughout the user manual and that you use good judgment when you use your scooter.

# 1. Get Started

## 1.1 Charging the Battery



**WARNING:** Do not insert the power cord plug if the charge port, power cord or AC power outlet is wet.

**LIGHTS DURING CHARGING:** ● - Charging ● - Charge Complete

**LIGHTS DURING USE:**

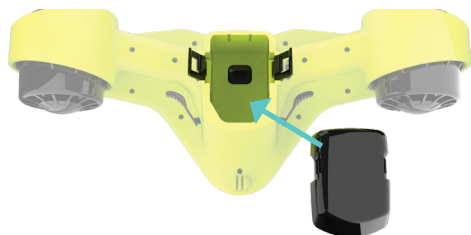
●	●	●	●	100%
●	●	●	○	75%
●	●	○	○	50%
●	○	○	○	10% Needs Charging



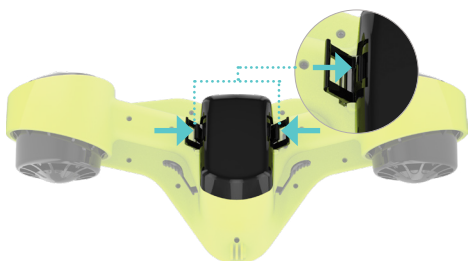
- Fully Charged—the lights will stay on.
- A single flashing light – battery is about to drain to the next level.

**Caution:** Normally, the battery will be warm after use with 3<sup>rd</sup> gear.

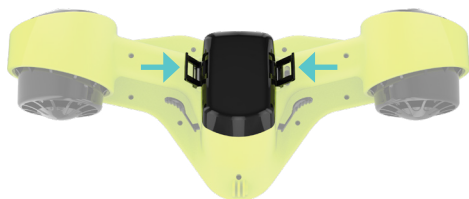
## 1.2 Install / Uninstall the Battery



Install the battery pack to the underside of the main body.



Unlock the inner buckle of the battery pack



Battery will need to be seated flush to fit.



The battery pack is installed when there is a firm lock on both sides.

## 1.3 Install Propeller Guards



- Propeller Guards are detachable for maintenance and cleaning.
- Align the propeller guard, and rotate it clockwise until it clicks into place.

## 2. Make Moves

### 2.1 How to Operate



Switch Lock

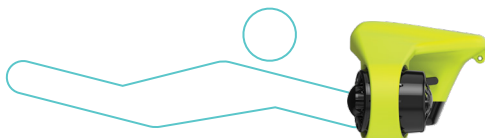
1. Place the device into the water.
2. Unlock the Safety Switch.
3. Press and hold both Toggles to start the propeller.
4. Hold down the Left Toggle and squeeze Right Toggle one time to increase speed.
5. Hold down the Right Toggle and squeeze the Left Toggle one time to decrease speed.
6. To stop the propeller, simply release the Toggles.

- There are 3 speed modes of the Aqua, always start from 1<sup>st</sup> gear and increase gradually.
- Always lock the Safety Switch, when out of the water.

Gear	Dis. Current (A)	Speed (m/s)	Run Time (Min)	Thrust (kg)
1	8	0.6	35	3
2	16	1	20	5
3	25	1.5	12	8

The optimal body position when using the Aqua is necessary to achieve the most efficient power output.

-see figure for the correct position of the Aqua.



**WARNING:** Do not dive deeper than you normally would when snorkeling, so you can get back to the surface safely.

## 2.2 Do's & Dont's

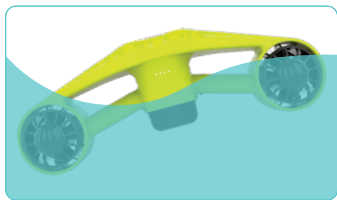
### DO'S:

- Take your Aqua into the pool, lake or ocean and enjoy the ride! Once fully assembled, the Aqua floats and is completely waterproof so you have no need to worry.
- Give your Aqua a thorough rinse with fresh water after using it. This ensures that the unit will remain clean and free of corrosion.
- Let it rip! The Aqua's speed will remain constant until the battery is drained.
- Wait and release the switch if you see four battery light indicators flashing at the same time. The Aqua will reset and is finished when the lights go out.

### DONT'S:

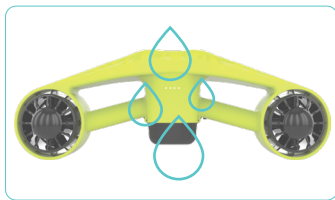
- Expose the battery pack underwater. This will damage the internal parts beyond repair.
- Use the battery pack if the outer case is broken. Contact Jetson Support for assistance.
- Open the Aqua if the motor isn't working. Give it a thorough rinse with fresh water first to dislodge any sand particles or crystals that might've gotten stuck in there.

# Care & Maintenance



Please soak the Aqua into freshwater several minutes after use.

- Do not use detergents, only use a damp cloth to wipe the unit clean.
- The battery connector must be kept dry at all times.
- If salt water has entered, rinse battery pack with fresh water and dry it before re-installing it.
- Keep downward direction when you are changing battery pack.
- Please wear a swimming cap.



Always rinse the Aqua in fresh water and dry it before storage.



## THE RISK OF INJURY

For safety purpose always wear a Approved- PFD (Personal Flotation Device) while snorkeling.

Always inspect the swimming area to ensure it is free of hazards or obstacles such as boats and swimmers. When using the Aqua for scuba diving, ascents and descents should be made in accordance with recognized diving practices.

## BATTERY

- Keep away from fire and excessive heat.
- Avoid intense physical shock, severe vibration, or impact.
- Protect from water or moisture.
- Do not disassemble the Aqua or its battery.
- Contact Jetson Customer Support if there are any issues with the battery.

## DISPOSAL AND STORAGE

- Fully charge the battery before storing. The battery should be fully charged once a month after this.
- Disposal of according to local laws.
- Always keep the Aqua out of direct sunlight when not in use.
- Heat wears out the battery.
- Cover the Aqua to protect against dust.
- Store the Aqua indoors, in a dry place.


## MODIFICATIONS

Do not attempt to disassemble, modify, repair, or replace the product or any components of the unit without instruction from Jetson Customer Support. This will void any warranty, and can lead to malfunctions which may cause injury.

## ADDITIONAL OPERATION CAUTIONS

Do not lift the product off the ground while it is on and the wheels are in motion. This can result in freely spinning wheels, which may cause injury to yourself or others nearby. Do not jump on or off the product, and do not jump while using it. Always keep your feet firmly planted on the mat sensors while in operation. Always check the battery charge before using

## DISPOSAL OF USED BATTERY

 Battery may contain hazardous substances which could endanger the environment and human health. This symbol marked on the battery and/ or packaging indicates that used battery shall not be treated as municipal waste. Batteries should be disposed of at an appropriate collection point for recycling. By ensuring the used batteries are disposed of correctly, you will help preventing potential negative consequences for the environment and human health. The recycling of materials will help to conserve natural resources. For more information about recycling of used batteries, please contact your local municipality waste disposal service.

# Safety Warnings

- Before using this product, please fully understand the waters you are to enter. The user shall ensure the swimming and diving activities are conducted in appropriate waters, and the waters management permits use of the product in the area.
- Users who cannot swim shall use this product in shallow water and make sure that they are equipped with life-saving equipment, or that a swimming/lifeguard instructor is present.
- Users without a diving license shall use this product under the permit and ensure that the trainer is present.
- This product is a recreational device and cannot be used as a life-saving device.
- This product should not be used by children or persons with reduced physical, sensory or mental capabilities, or lack of experience and knowledge, unless they have been given supervision or instruction (IEC 60335-1/A2:2006).
- Unsupervised children should not play with the product (IEC 60335-1/A2:2006).
- Adult supervision is required.
- This product should not be used by anyone under five years of age and should always be accompanied by a guardian.
- The rider should not exceed 125 lb.
- The product cannot be ridden by more than one person.
- To avoid possible risks, this product should not be used by the elderly and those unfit for swimming/snorkeling.
- Persons with the following conditions shall be cautioned not to operate: Those with heart conditions; Pregnant women; Persons with head, back, or neck ailments, or prior surgeries to those areas of the body; and persons with any mental or physical conditions that may make them susceptible to injury or impair their physical dexterity or mental capabilities to recognize, understand, and perform all of the safety instructions and to be able to assume the hazards inherent in unit use.
- Units shall not be operated to perform racing, stunt riding, or other maneuvers, which may cause loss of control, or may cause uncontrolled operator actions or reactions.
- Do not ride after drinking or taking prescription medication.
- Do not ride at night.
- During use of this product, the user shall put on a swimming cap, and should pay special attention to anyone with long hair nearby to avoid any human hair or clothing being entangled into the propeller.
- Do not put your finger or other parts of the human body into the propeller at any time, nor shall any foreign object be inserted into the propeller.
- Do not ride without proper training. Do not ride at high speeds. Do not perform stunts or turn abruptly.
- The owner shall allow the use and operation of the unit after a demonstration that such operators can understand and operate all components of the unit before use.
- Try to use this product in an open space. Please pay attention and do not let clothes, algae, ropes, shark nets, shells, sand or other debris into the propeller so as to avoid danger.
- When you ride the product along with other riders, always keep a safe distance to avoid a collision.
- When using this product, please do not turn your eyes and face right to the rear of the propeller. Please stand firm when entering the water, and then use this product to prevent falling. Be alert to things in front and far away from you.
- You should hold the product handle tightly in the water to avoid danger. When using this product in the water, you should always pay attention to the surrounding environment to avoid collisions.
- Please check the battery power before use. When using this product in the water, please pay attention to the power of any time and make sure you return to land before the battery runs out. The product contains battery, so please gently take out the product.
- AVOID any strong vibration, bumping, and striking. Use the equipped adapter of the product to charge, and any other type of adapter is forbidden to charge the product.
- Non authorized after-sales service personnel are not allowed to repair without authorization because incorrect repair will lead to product leakage, damage, fire or electric shock.
- Do not change batteries in the water. Be sure to change them in a dry environment and make sure the device and your hands are dry.
- Do not put in or plug the battery with wet hands, or there will be a danger of water leakage. Before using this product, fully check the product to make sure the battery is not damaged, the power is sufficient, and ensure that the double propeller and thruster operation are normal.
- To protect the motor life, do not continuously start the product for more than one minute in a non-water environment. If there is an abnormal condition (such as burning smell etc.), immediately release the button to stop the machine operation, and immediately disconnect the power supply.
- Do not try this product directly on the beach to prevent sand, shellfish, or other debris from being brought into the propeller.
- Operators shall adhere to all of the manufacturer's recommendations and instructions, as well as comply with all laws and ordinances: Units without headlights shall be operated only with adequate daylight conditions of visibility, and; Owners shall be encouraged to highlight (for conspicuity) using lighting, reflectors.
- The product surface cannot contact volatile substances or acid substances such as gasoline, banana oil, etc., or any sharp objects.
- Do not place any heavy objects on the product.
- Do not put the battery into fire.
- Replace worn or broken parts immediately by calling Jetson Customer Support.
- Check whether all safety labels are in place and understood before riding.
- Prolonged exposure to UV rays, rain and the elements may damage the enclosure materials, store indoors when not in use.

## California Proposition 65

### **WARNING:**

This product can expose you to a chemical such as Cadmium that is known to the state of California to cause cancer or birth defects or other reproductive harm. For more information go to [www.p65warnings.ca.gov/product](http://www.p65warnings.ca.gov/product)

### **NOTICE OF COMPLIANCE**

This device complies with Part 15 of the FCC Rules. Operation is subject to the following two conditions: (1) this device may not cause harmful interference, and (2) this device must accept any interference received, including interference that may cause undesired operation.

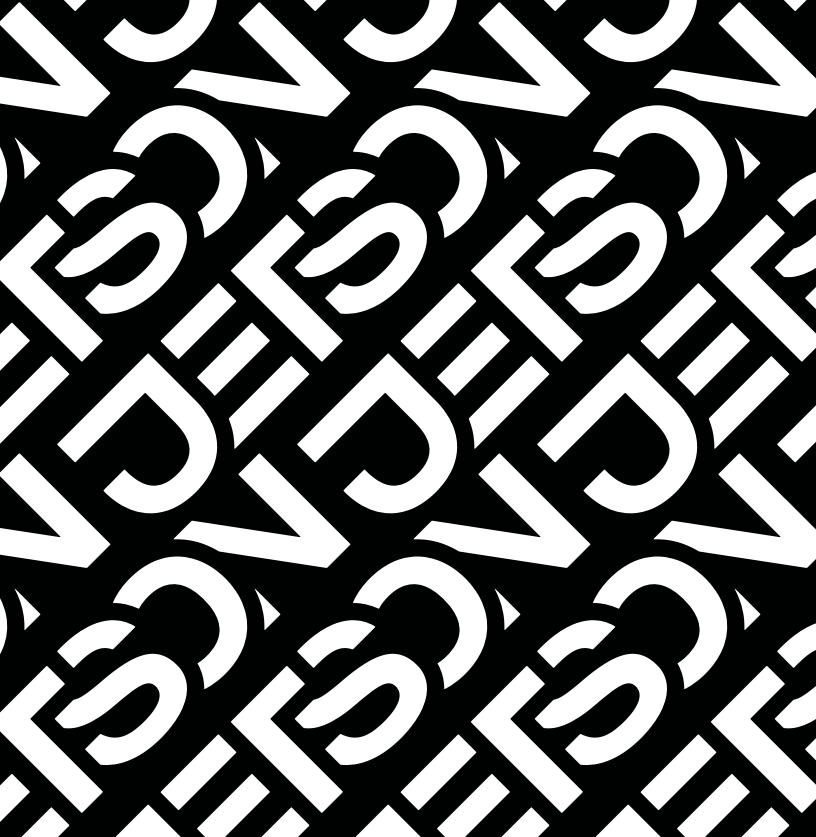
Warning: Changes or modifications to this unit not expressly approved by the party responsible for compliance could void the user's authority to operate the equipment.

NOTE: This equipment has been tested and found to comply with the limits for a Class B digital device, pursuant to Part 15 of the FCC Rules. These limits are designed to provide reasonable protection against harmful interference in a residential installation. This equipment generates, uses and can radiate radio frequency energy and, if not installed and used in accordance with the instructions, may cause harmful interference to radio communications. However, there is no guarantee that interference will not occur in a particular installation. If this equipment does cause harmful interference to radio or television reception, which can be determined by turning the equipment off and on, the user is encouraged to try to correct the interference by one or more of the following measures:

- Reorient or relocate the receiving antenna.
- Increase the separation between the equipment and receiver.
- Connect the equipment into an outlet on a circuit different from that to which the receiver is connected.
- Consult the dealer or an experienced radio/ TV technician for help.

Shielded cables must be used with this unit to ensure compliance with the Class B FCC limits.





## Enjoying the ride?

Leave a review on [ridejetson.com/reviews](https://ridejetson.com/reviews) or share your photos with us online using the #RideJetson hashtag!

## Questions? Let us know.

[support.ridejetson.com](https://support.ridejetson.com)

Hours of Operation: 7 Days a Week, 10am-6pm  
US 1-(888) 976-9904 | UK +44 (0)33 0838 2551

[www.ridejetson.com](https://www.ridejetson.com)



Follow us [@ridejetson](https://twitter.com/ridejetson)  
[#MakeMoves](https://hashtagger.com/ridejetson)



Imported by Jetson Electric Bikes LLC.  
86 34th Street 4th Floor, Brooklyn NY 11232



Date Code: 09/2020  
Made in China