

JETSON

Orbit

Light-Up Kick Scooter.

A guide for your ride.

IMPORTANT: READ CAREFULLY AND RETAIN FOR FUTURE REFERENCE.

MODELS: JORBIT-BKP | JORBIT-BKB | JORBIT-GRN | JORBIT-RED



**Jetson's top two riding rules:
Be safe. Have fun!**

Contents

Safety Warnings	4
Product Overview	6
Specs & Features	8
Online Resources	9
1. Getting Started	
Starting Notes	10
Unfolding & Folding the Scooter	11
Attaching the Handlebar	16
Adjusting the Height of the Handlebar	20
Inserting the Batteries	23
2. Making Moves	
Riding the Scooter	24
Using the Brake	25
Using the LED Lights	26
Helmet Safety	27
Care & Maintenance	28
Warranty Coverage	28

Safety Warnings

- Before use, please read the user manual and safety warnings carefully, and make sure you understand and accept all the safety instructions. The user will be responsible for any loss or damage caused by improper use.
- Before each cycle of operation, the operator shall perform the preoperation checks specified by the manufacturer: That all guards and pads originally supplied by the manufacturer are in proper place and in serviceable condition; That the braking system is functioning properly; That any and all axle guards, chain guards, or other covers or guards supplied by the manufacturer are in place and in serviceable condition; That tires are in good condition, inflated properly, and have sufficient tread remaining; The area that the product is to be operated should be safe and suitable for safe operation.
- Components shall be maintained and repaired in accordance with the manufacturer's specifications and using only the manufacturer's authorized replacement parts with installation performed by dealers or other skilled persons.
- Do not mix old and new batteries.
- Do not mix alkaline, standard (carbon-zinc) or rechargeable batteries.
- This product should not be used by children or persons with reduced physical, sensory or mental capabilities, or lack of experience and knowledge, unless they have been given supervision or instruction (IEC 60335-1/A2:2006).
- Unsupervised children should not play with the product (IEC 60335-1/A2:2006).
- Adult supervision is required.
- The rider should not exceed 132 lb.
- Units shall not be operated to perform racing, stunt riding, or other maneuvers, which may cause loss of control, or may cause uncontrolled operator/passenger actions or reactions.
- Never use near motor vehicles.
- Avoid sharp bumps, drainage grates, and sudden surface changes. Scooter may suddenly stop.
- Avoid streets and surfaces with water, sand, gravel, dirt, leaves, and other debris. Wet weather impairs traction, braking, and visibility.
- Avoid riding around flammable gas, steam, liquid, or dust that could cause fire.
- Operators shall adhere to all of the manufacturer's recommendations and instructions, as well as comply with all laws and ordinances: Units without headlights shall be operated only with adequate daylight conditions of visibility, and; Owners shall be encouraged to highlight (for conspicuity) using lighting, reflectors, and for low-riding units, signal flags on flexible poles.
- Persons with the following conditions shall be cautioned not to operate: Those with heart conditions; Pregnant women; Persons with head, back, or neck ailments, or prior surgeries to those areas of the body; and persons with any mental or physical conditions that may make them susceptible to injury or impair their physical dexterity or mental capabilities to recognize, understand, and perform all of the safety instructions and to be able to assume the hazards inherent in unit use.
- Do not ride at night.
- Do not ride after drinking or taking prescription medication.
- Do not carry items when riding.
- Never operate the product barefooted.
- Always wear shoes and keep shoelaces tied.
- Make sure your feet are always placed securely on the deck.
- Operators always shall use appropriate protective clothing, including but not limited to a helmet, with appropriate certification, and any other equipment recommended by the manufacturer: Always wear protective equipment such as helmet, knee pads, and elbow pads.
- Always give way to pedestrians.
- Be alert to things in front and far away from you.
- Do not allow distractions when riding, such as answering the phone or engaging in any other activities.
- The product cannot be ridden by more than one person.
- When you ride the product along with other riders, always keep a safe distance to avoid a collision.
- When turning, be sure to maintain your balance.
- Riding with improperly adjusted brakes is dangerous and can result in serious injury or death.
- The brake may become hot while operating, do not touch the brake with your bare skin.
- Applying brakes too hard or too suddenly can lock up a wheel, which could cause you to lose control and fall. Sudden or excessive

application of the brake may result in injury or death.

- If the brake loosens, please adjust with the hexagon wrench, or please contact the Jetson Care Team.
- Replace worn or broken parts immediately.
- Check whether all safety labels are in place and understood before riding.
- The owner shall allow the use and operation of the unit after a demonstration that such operators can understand and operate all components of the unit before use.
- Do not ride without proper training. Do not ride at high speeds, on uneven terrain, or on slopes. Do not perform stunts or turn abruptly.
- Recommended for indoor use.
- Prolonged exposure to UV rays, rain and the elements may damage the enclosure materials, store indoors when not in use.

MODIFICATIONS

Do not attempt to disassemble, modify, repair, or replace the unit or any components of the unit without instruction from the Jetson Care Team. This will void any warranty, and can lead to malfunctions which may cause injury.

ADDITIONAL OPERATION PRECAUTIONS

Do not lift the product off the ground while it is on and the wheels are in motion. This can result in freely spinning wheels, which may cause injury to yourself or others nearby. Do not jump on or off the product, and do not jump while using it. Always keep your feet firmly planted on the foot rest while in operation. Always check the battery charge before using.

DISPOSAL OF USED BATTERY



Battery may contain hazardous substances which could endanger the environment and human health. This symbol marked on the battery and/or packaging indicates that used battery shall not be treated as municipal waste. Batteries should be disposed of at an appropriate collection point for recycling. By ensuring the used batteries are disposed of correctly, you will help preventing potential negative consequences for the environment and human health. The recycling of materials will help to conserve natural resources. For more information about recycling of used batteries, please contact your local municipality waste disposal service.

- Do not mix old and new batteries.
- Do not mix alkaline, standard (carbon-zinc) or rechargeable batteries.

California Proposition 65

! WARNING

This product can expose you to chemicals including Chromium (hexavalent compounds), which is known to the State of California to cause cancer and birth defects or other reproductive harm. For more information go to: www.P65Warnings.ca.gov.

Product Overview

1. **HANDLEBAR***
2. **STEM CLAMP**
3. **STEM** (LED LIGHT-UP)
4. **FOLDING LEVER**
5. **FRONT WHEEL** (MOTION-ACTIVATED LED LIGHT-UP)
6. **LOCKING LATCH**
7. **KNOB**
8. **DECK** (LED LIGHT-UP)
9. **LIGHTING CONTROL BUTTON** (UNDERSIDE OF DECK)
10. **BATTERY COMPARTMENT** (UNDERSIDE OF DECK)
11. **REAR FOOT BRAKE**
12. **REAR WHEEL** (MOTION-ACTIVATED LED LIGHT-UP)

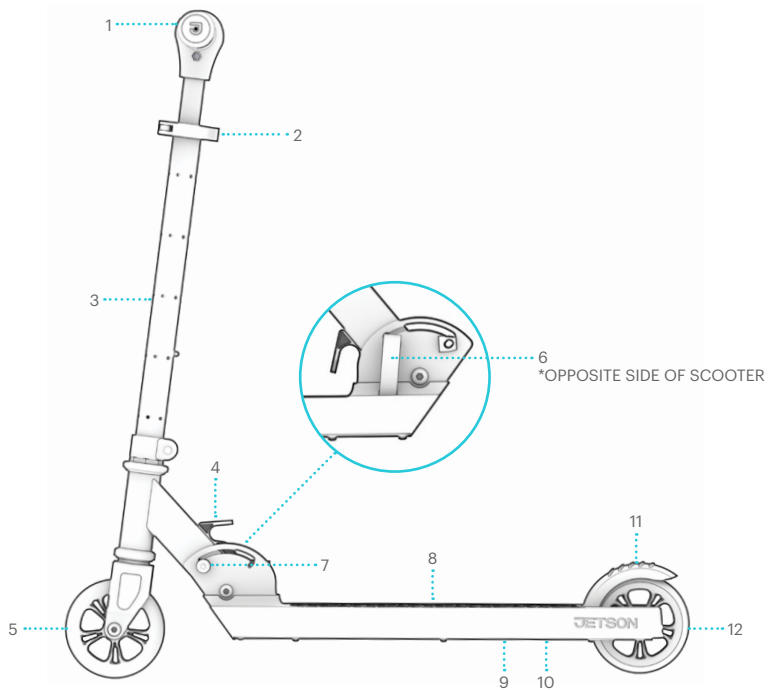
* NOT PRE-ATTACHED; REQUIRES SET-UP

TOOL INCLUDED:



**2-BIT PHILLIPS-HEAD SCREWDRIVER
AND 5MM ALLEN KEY TOOL**

* ADULTS MUST ASSIST CHILDREN IN THE ASSEMBLY AND INITIAL ADJUSTMENT PROCEDURES OF THE PRODUCT.

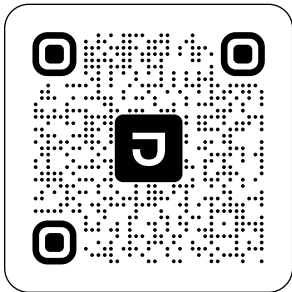


NOTE: IMAGES MAY NOT REFLECT EXACT APPEARANCE OF ACTUAL PRODUCT.

Specs & Features

- **WEIGHT LIMIT: 132 LBS**
- **PRODUCT WEIGHT: 6 LBS**
- **WHEEL SIZE: 4"**
- **FOLDED DIMENSIONS: 24.6"(L) × 9.8"(W) × 7.6"(H)**
- **UNFOLDED DIMENSIONS: 23.5"(L) × 9.8"(W) × 24.6"(H)**
- **DECK DIMENSIONS: 17.5"(L) × 3.5"(W)**
- **HANDLEBAR HEIGHT: 24.6"- 33.3"**
- **3 AA BATTERIES REQUIRED (NOT INCLUDED)**
- **RECOMMENDED AGE: 5+**
- **LED LIGHT-UP WHEELS, DECK, & STEM**
- **EASY FOLDING TECHNOLOGY**

Online Resources



Scan for our most updated Orbit onboarding materials and support resources.

1. Getting Started

1.1 Starting Notes

- REMOVE ALL PROTECTIVE PACKAGING PIECES PRIOR TO BEGINNING ASSEMBLY INCLUDING THE PROTECTIVE CAP AT THE TOP OF THE STEM.
- THE DIRECTIONS GIVEN IN THIS MANUAL—RIGHT, LEFT, FRONT/FORWARD, AND REAR/BACK—ARE ORIENTED AS THE RIDER WOULD SEE THEM WHEN STANDING ON THE SCOOTER. THE “RIGHT SIDE” OF THE ORBIT, FOR EXAMPLE, IS THE SIDE WHERE THE RIDER’S RIGHT HAND WILL BE.

WARNING:

FAILURE TO COMPLY WITH THE FOLLOWING INSTRUCTIONS MAY RESULT IN INJURY TO THE CHILD OR OTHERS.

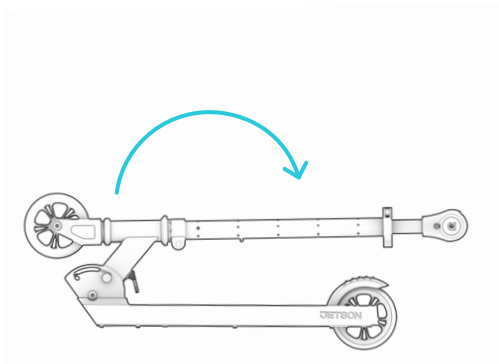
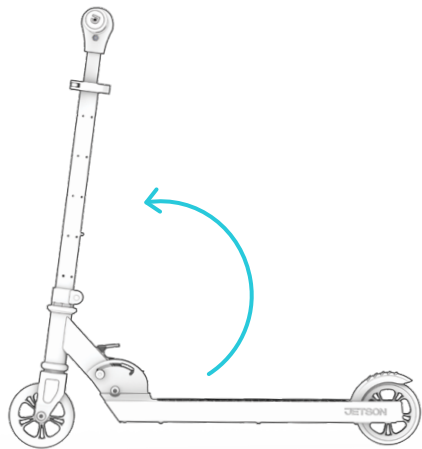
- KEEP SMALL PARTS AWAY FROM CHILDREN DURING ASSEMBLY.
- ACCESSORY MUST BE ASSEMBLED AND REMOVED BY AN ADULT.
- FREQUENTLY INSPECT THE PRODUCT FOR DAMAGE.

* ADULTS MUST ASSIST CHILDREN IN THE ASSEMBLY AND INITIAL ADJUSTMENT PROCEDURES OF THE PRODUCT.

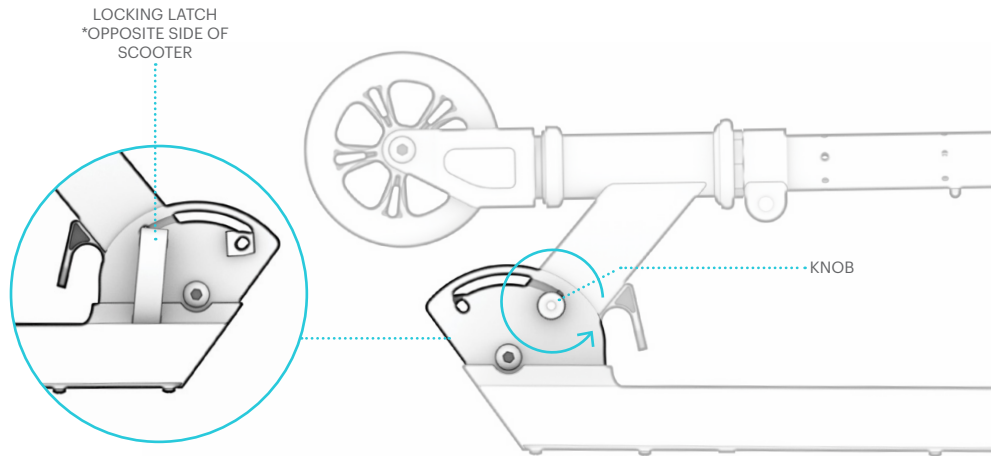
1.2 Unfolding & Folding the Scooter

WHEN TO UNFOLD: FOR ASSEMBLY AND RIDING

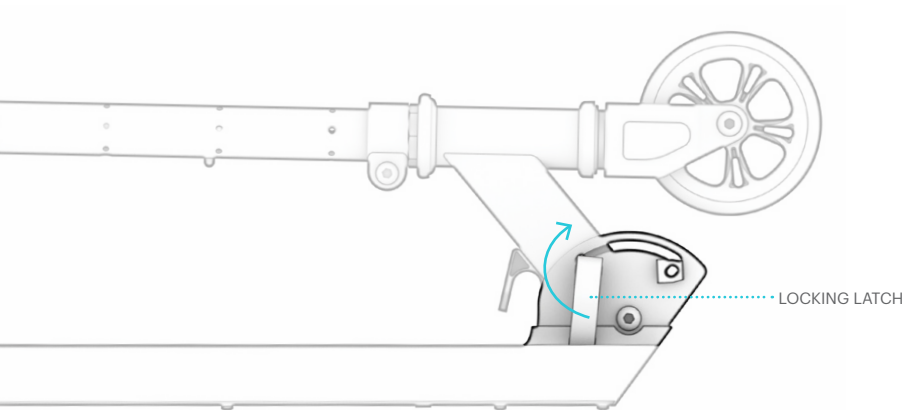
WHEN TO FOLD: FOR STORAGE AND TRANSPORT



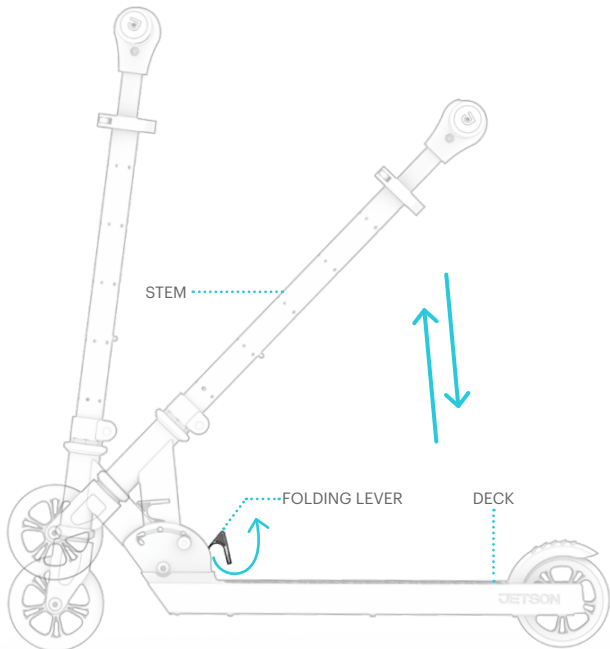
1. **HOLDING THE LOCKING LATCH STEADY WITH ONE HAND, USE THE OTHER HAND TO LOOSEN THE KNOB BY TURNING IT COUNTERCLOCKWISE FOR 2 - 3 ROTATIONS.**



2. PULL OPEN THE LOCKING LATCH.



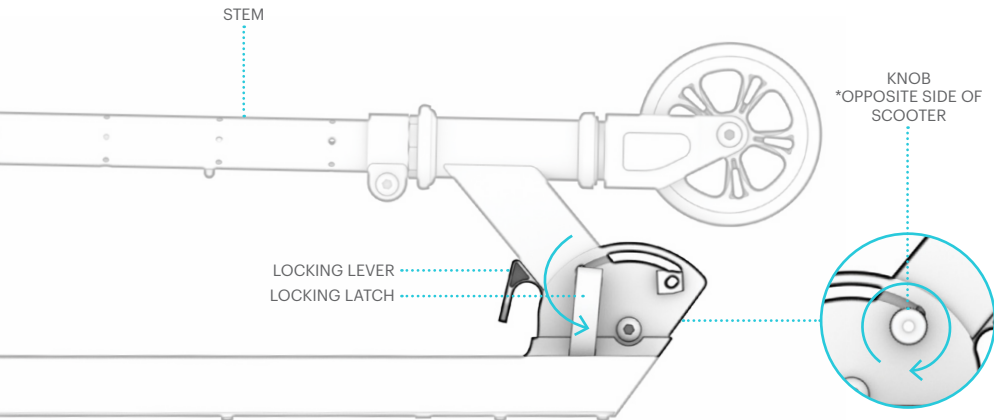
3. PULL THE FOLDING LEVER UP TOWARDS THE TOP OF THE STEM. HOLD IT THERE WHILE YOU RAISE THE STEM UPRIGHT (TO UNFOLD THE SCOOTER) OR LOWER THE STEM TOWARDS THE DECK (TO FOLD THE SCOOTER.)
4. ENSURE THAT THE STEM "CLICKS" INTO PLACE IN THE FOLDED OR UNFOLDED POSITION.



5. RELEASE THE FOLDING LEVER.
6. HOLD THE LOCKING LATCH STEADY WITH ONE HAND WHILE YOU TIGHTEN THE KNOB BY TURNING IT CLOCKWISE.
7. PUSH THE LOCKING LATCH CLOSED.
8. CHECK THAT THE STEM IS SECURE.

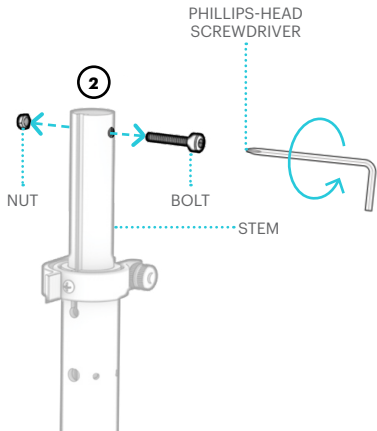
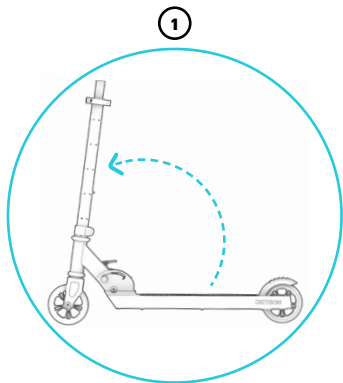
TROUBLESHOOTING: IF YOU CANNOT OPEN OR CLOSE THE LOCKING LATCH, THE KNOB MAY BE TOO TIGHT. LOOSEN THE KNOB BY TURNING IT COUNTERCLOCKWISE FOR 1/2 ROTATION AT A TIME UNTIL YOU CAN UTILIZE THE LATCH.

IMPORTANT: NEVER RIDE WITHOUT THE STEM CLICKED INTO THE UPRIGHT POSITION AND THE LOCKING LATCH CLOSED AND TIGHT.

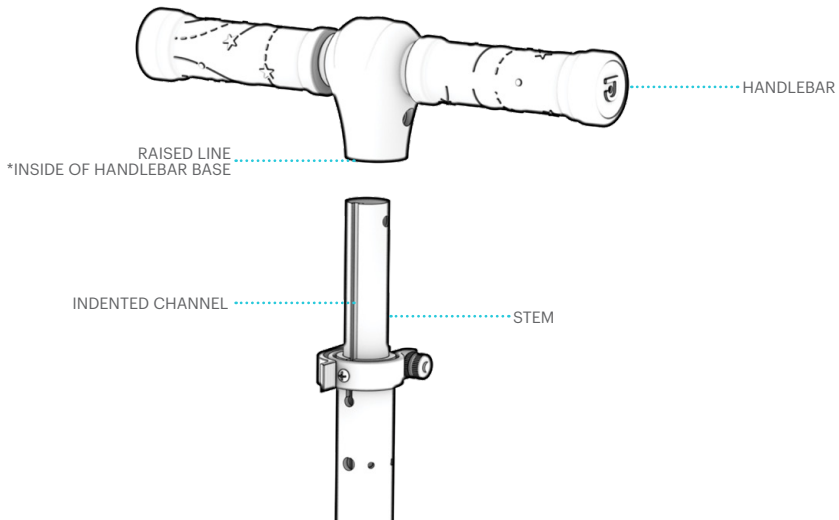


1.3 Attaching the Handlebar

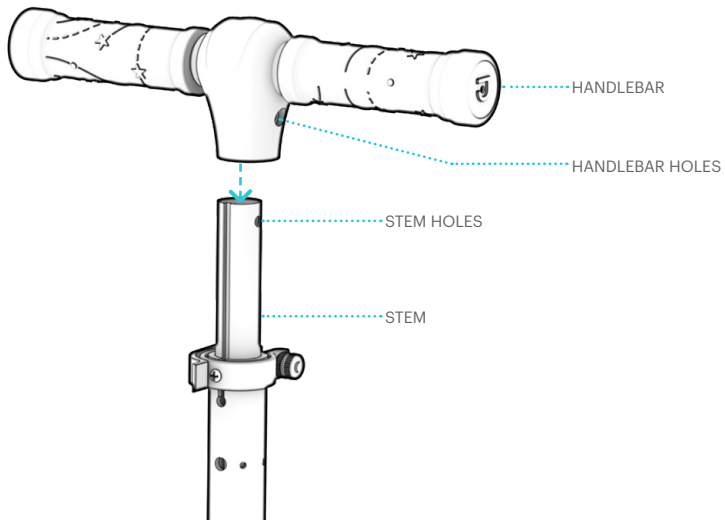
1. UNFOLD THE SCOOTER SO THAT THE STEM IS UPRIGHT.
2. UNSCREW THE PRE-ATTACHED BOLT FROM THE NUT IN THE STEM BY TURNING IT CLOCKWISE WITH THE SCREWDRIVER TIP OF THE 2-BIT TOOL. (YOU MAY HAVE TO HOLD THE NUT STEADY WITH A FINGER IN ORDER TO LOOSEN AND REMOVE THE BOLT.) SET THE HARDWARE ASIDE.



3. POSITION THE HANDLEBAR BASE OVER THE TOP OF THE STEM SUCH THAT THE RAISED LINE ON THE INSIDE OF THE HANDLEBAR BASE IS IN LINE WITH THE INDENTED CHANNEL ON THE TOP OF THE SCOOTER STEM.



4. SLIDE THE HANDLEBAR ONTO THE SCOOTER STEM.
5. PUSH DOWN AND ADJUST UNTIL THE HOLES IN THE SIDES OF THE HANDLEBAR BASE ARE ALIGNED WITH THE HOLES ON THE SIDES OF THE STEM.

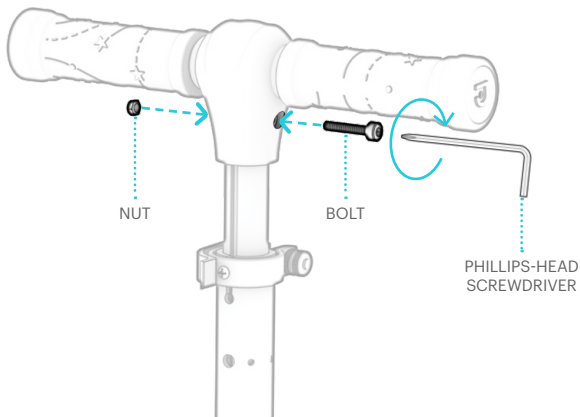


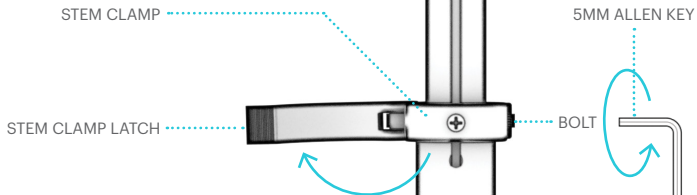
6. INSERT THE BOLT THROUGH THE ALIGNED HOLES ON THE RIGHT-HAND SIDE OF THE HANDLEBAR UNTIL THE END OF IT IS VISIBLE THROUGH THE LEFT-SIDE HOLES.

IMPORTANT: PLACE THE BOLT ON THE RIGHT SIDE WHEN FACING THE FRONT OF THE SCOOTER FROM RIDING POSITION.

7. PLACE AND HOLD THE NUT AT THE END OF THE BOLT IN THE ALIGNED HOLES ON THE LEFT SIDE OF THE HANDLEBAR.
8. TIGHTEN THE BOLT INTO THE NUT BY TURNING IT CLOCKWISE WITH THE SCREWDRIVER TIP OF THE 2-BIT TOOL.
9. CHECK THAT THE HANDLEBAR IS SECURE.

IMPORTANT: PRIOR TO EVERY RIDE, CHECK THAT THE BOLT AND NUT ARE TIGHTENED AND SECURE.

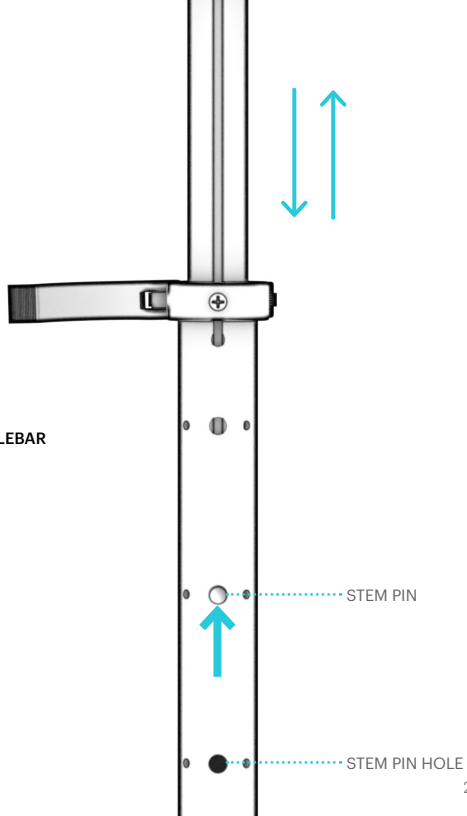




1.4 Adjusting the Height of the Handlebar

1. OPEN THE STEM CLAMP LATCH.
2. LOOSEN THE BOLT OPPOSITE THE LATCH TO WIDEN THE CLAMP BY TURNING IT COUNTERCLOCKWISE WITH THE ALLEN KEY TIP OF THE 2-BIT TOOL.

3. WHILE PRESSING IN THE STEM PIN, LIFT OR LOWER THE HANDLEBAR UNTIL THE PIN CLICKS INTO ANOTHER STEM PIN HOLE.



STEM CLAMP LATCH



BOLT



4. CLOSE THE STEM CLAMP LATCH AND TIGHTEN THE BOLT BY TURNING IT CLOCKWISE WITH THE ALLEN KEY.
5. CHECK THAT THE HANDLEBAR IS SECURE.

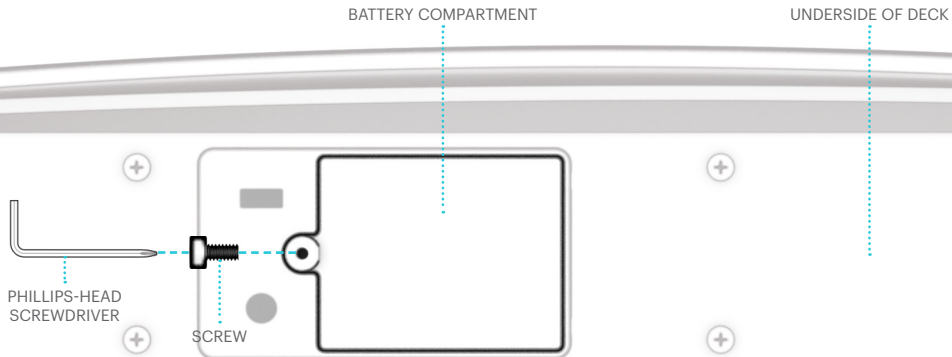
IMPORTANT: THE STEM PIN ALONE WILL NOT KEEP THE STEM SECURE. MAKE SURE THE STEM CLAMP IS TIGHTENED AND CLOSED BEFORE RIDING.

TROUBLESHOOTING: IF YOU CANNOT OPEN OR CLOSE THE LATCH, THE BOLT ON THE CLAMP MAY BE TOO TIGHT. LOOSEN THE BOLT 1/2 ROTATION AT A TIME UNTIL YOU CAN UTILIZE THE LATCH.

1.5 Inserting the Batteries

YOU WILL NEED 3 AA BATTERIES (NOT INCLUDED) IN ORDER TO USE THE LIGHTS ON YOUR ORBIT.

1. LOOSEN AND REMOVE THE SCREW SECURING THE BATTERY COMPARTMENT COVER ON THE UNDERSIDE OF THE DECK BY TURNING IT COUNTERCLOCKWISE WITH THE SCREWDRIVER TIP OF THE 2-BIT TOOL.
2. LIFT AND REMOVE THE BATTERY COMPARTMENT COVER.
3. PLACE 3 AA BATTERIES IN PLACE ACCORDING TO THE +/- DIRECTIONS INDICATED INSIDE OF THE BATTERY COMPARTMENT.
4. REPLACE THE BATTERY COMPARTMENT COVER.
5. RE-INSERT THE SCREW AND TIGHTEN IT BY TURNING IT CLOCKWISE WITH THE SCREWDRIVER.
6. CHECK THAT THE COMPARTMENT COVER AND SCREW ARE SECURE.



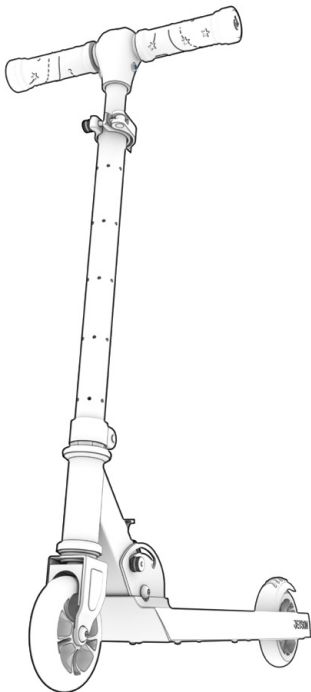
2. Making Moves

2.1 Riding the Scooter

1. PLACE ONE FOOT ON THE FRONT OF THE DECK FACING FORWARD.
2. USE THE BACK FOOT TO PUSH OFF THE GROUND AND PROPEL THE SCOOTER FORWARD.

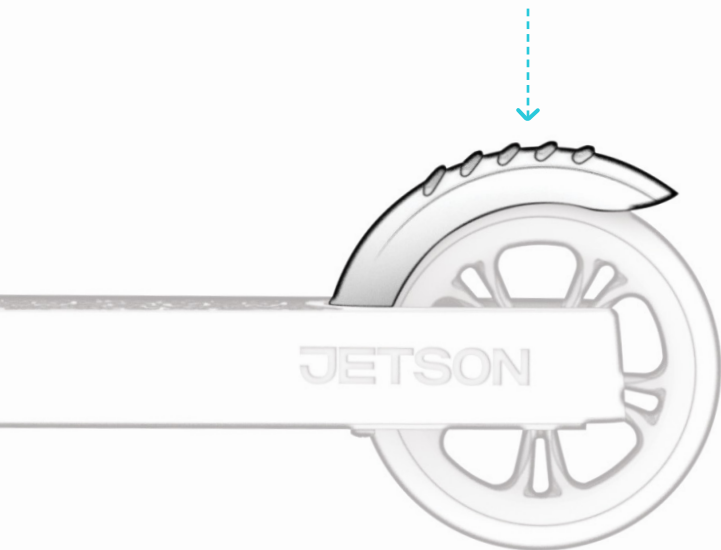
TO COAST: PLACE THE KICKING FOOT ON THE DECK BEHIND THE FRONT FOOT AT A SLIGHT ANGLE.

TO MAKE TURNS: ROTATE THE HANDLEBAR TO THE LEFT OR RIGHT.



2.2 Using the Brake

PRESS DOWN GENTLY WITH THE REAR RIDING FOOT TO SLOW DOWN. APPLY MORE PRESSURE TO COME TO A COMPLETE STOP.



2.3 Using the LED Lights

TO TURN ON THE LIGHTS IN THE DECK AND STEM:

QUICK-PRESS THE LIGHTING CONTROL BUTTON.

NOTE: THE LIGHTS ON THE WHEELS ARE MOTION-ACTIVATED AND WILL ILLUMINATE WHEN THEY ROTATE, EVEN IF THE OTHER LIGHTS ARE NOT POWERED ON.

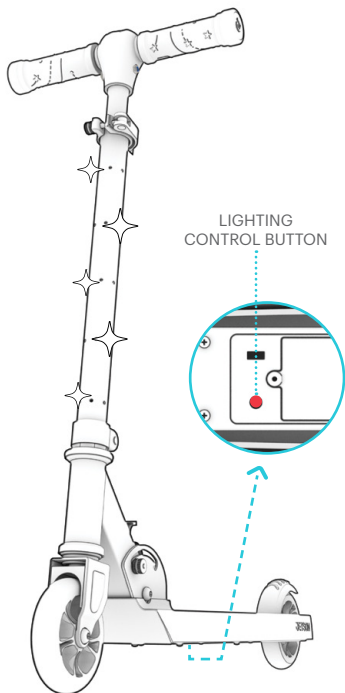
TO CHANGE THE LIGHTS:

CYCLE THROUGH 7 DIFFERENT LIGHTING PATTERNS BY QUICK-PRESSING THE BUTTON AGAIN. STOP PRESSING WHEN YOU'VE LANDED ON THE LIGHTING PATTERN THAT FEELS RIGHT FOR YOUR RIDE.

TO TURN OFF THE LIGHTS:

THE 8TH QUICK-PRESS WILL TURN OFF THE LIGHTS. TO POWER OFF THE LIGHTS WITHOUT GOING THROUGH THE CYCLE OF PATTERNS, PRESS AND HOLD THE LIGHTING CONTROL BUTTON FOR 3 SECONDS.

IMPORTANT: TO PRESERVE BATTERY POWER, TURN THE LIGHTS OFF WHEN YOU'RE FINISHED RIDING THE SCOOTER.



2.4 Helmet Safety

A HELMET SHOULD BE WORN BY THE RIDER AT ALL TIMES WHILE ON THE SCOOTER.



**PROPER POSITIONING:
THE FOREHEAD IS COVERED
BY THE HELMET.**



**IMPROPER POSITIONING:
THE FOREHEAD IS EXPOSED.
A FALL COULD RESULT IN SERIOUS INJURY.**

*WEAR A HELMET, APPROPRIATE CLOTHING, SHOES, AND SAFETY GEAR. AVOID CLOTHING THAT CAN GET CAUGHT INTO OR UNDER THE WHEELS. CLOSED-TOE, FLAT SHOES ARE RECOMMENDED. WEAR AN ASTM F1492 APPROVED HELMET AND PROTECTIVE GEAR TO PREVENT INJURY IN THE EVENT OF AN ACCIDENT.

Care & Maintenance

CLEANING THE SCOOTER

- TO CLEAN THE SCOOTER, CAREFULLY WIPE WITH A DAMP CLOTH AND THEN DRY WITH A DRY CLOTH.
- DO NOT APPLY WATER DIRECTLY TO THE SCOOTER. WATER CAN CAUSE DAMAGE TO THE ELECTRICAL SYSTEM OR TO THE FRAME DETERIORATION, WHICH COULD LEAD TO A MALFUNCTION THAT PUTS RIDER SAFETY AT RISK.

PRECAUTIONS

- KEEP AWAY FROM FIRE AND EXCESSIVE HEAT.
- AVOID INTENSE PHYSICAL IMPACT AND/OR SEVERE VIBRATION.
- RIDE THE SCOOTER ON A SMOOTH, FLAT SURFACE.
- PROTECT FROM WATER OR MOISTURE.
- CONTACT THE JETSON CARE TEAM IF THERE ARE ANY ISSUES WITH THE SCOOTER.

STORING THE SCOOTER

- STORE THE SCOOTER INDOORS AND IN A DRY PLACE.
- COVER THE SCOOTER TO PROTECT IT AGAINST DUST.
- REMOVE BATTERIES PRIOR TO STORING THE SCOOTER FOR EXTENDED PERIODS OF TIME.

Warranty Coverage

GENERAL LIMITED WARRANTY

Your new Jetson product is warranted against defects in materials and workmanship as indicated on ridejetson.com/warranty for a period of time from the date of original retail purchase when used in accordance with Jetson's user manuals (refer to ridejetson.com/support). **Under this warranty, you will be able to direct your claims to Jetson even in situations where you purchased the Jetson Product from one of our authorized retailers.** To read the full terms of our warranty, visit ridejetson.com/warranty.

Stay connected.

Be sure to follow **@ridejetson** on social media to learn about fantastic offers, giveaways, and all the latest Jetson news.



Loving your ride?

Then be sure to leave a review at ridejetson.com/reviews.
We can't wait to hear from you!

JETSON

#MakeMoves

Questions? Let us help.

ridejetson.com/support
ridejetson.com/chat

To exercise your product's warranty or inquire about warranty coverage, contact us directly.

US/CANADA: 1-888-976-9904
UK: +44 1355 241222

Manufactured in Yongkang, China
Imported by Jetson Electric Bikes LLC.
P.O. Box 320149, 775 4th Ave #2,
Brooklyn, NY 11232

www.ridejetson.com



Made in China
Date Code: 09/2023
Document Edition: v2.1

© 2023, JETSON. ALL RIGHTS RESERVED. Manufactured by JETSON ELECTRIC BIKES LLC.
No portion of this document, including shape, copy, graphics, and design,
may be reproduced or transmitted in any form or by any means.