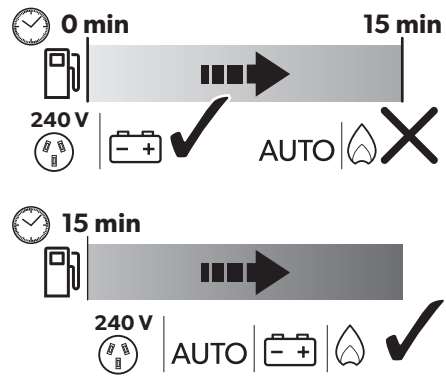
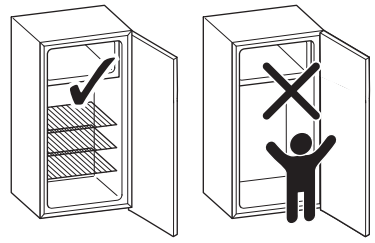
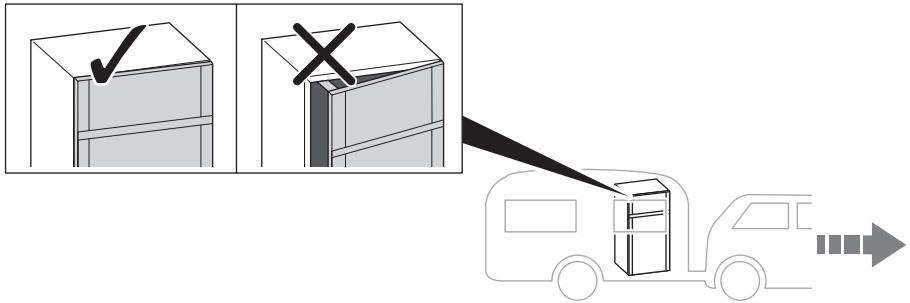


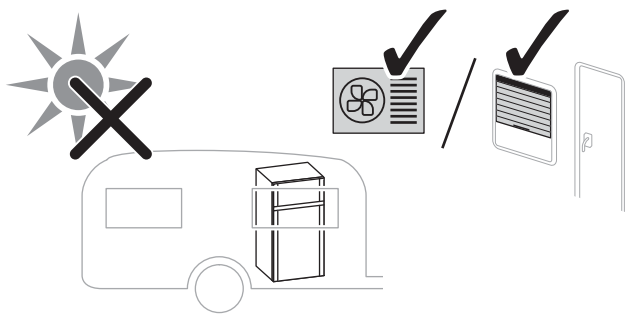
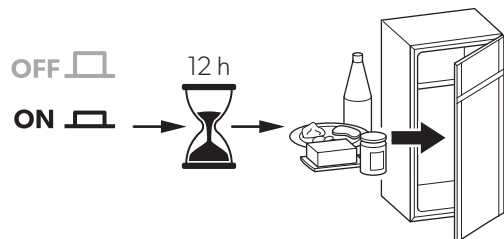
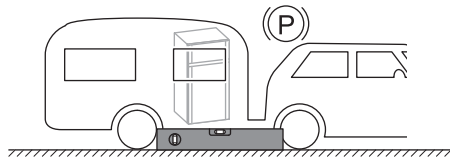
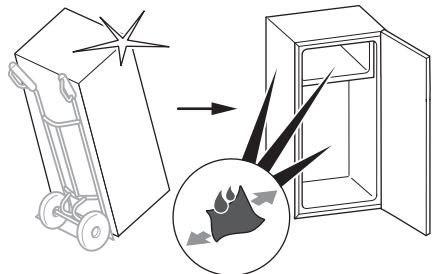
WARNING



CAUTION

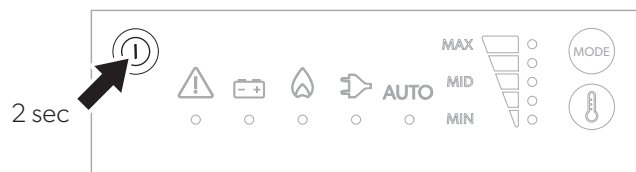


NOTICE



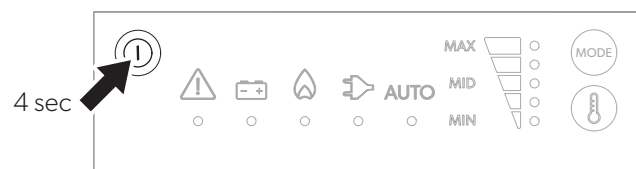
ON

1



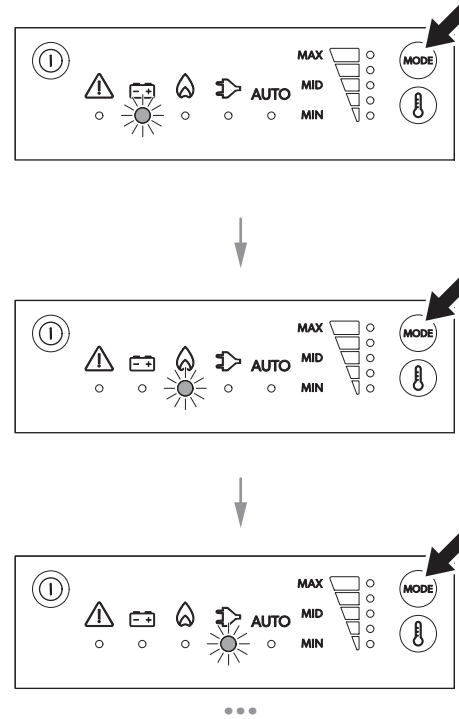
OFF

2



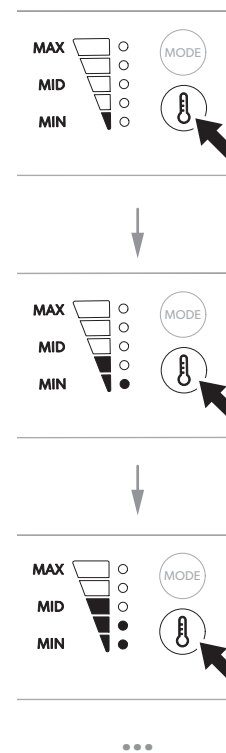
Operation

3



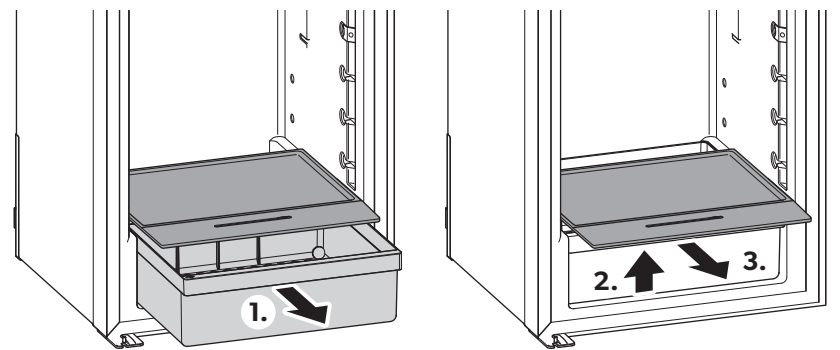
Cooling Capacity

4



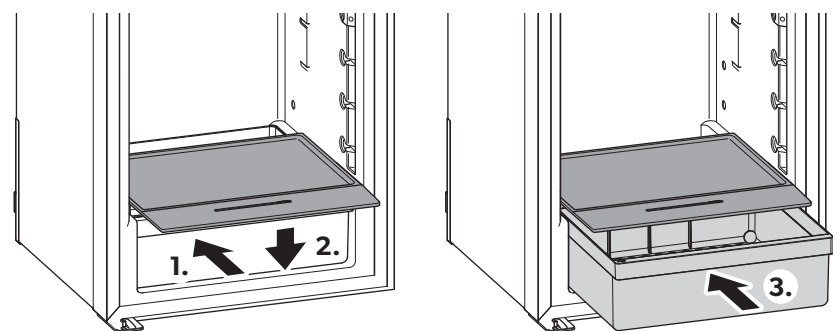
VG Fresh Base Out

5



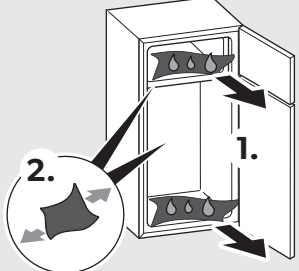
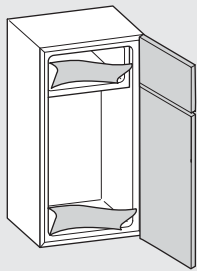
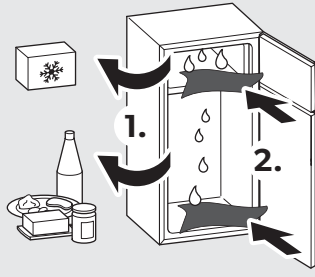
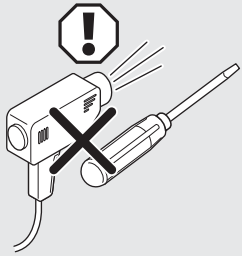
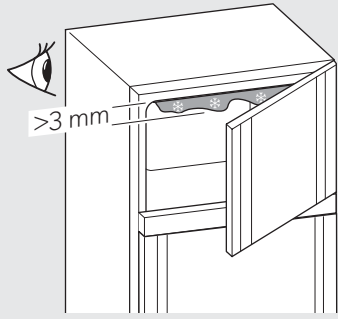
VG Fresh Base In

6



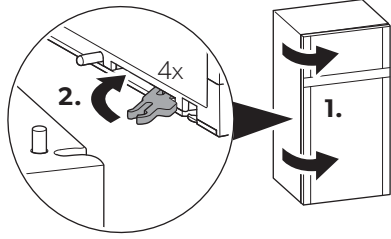
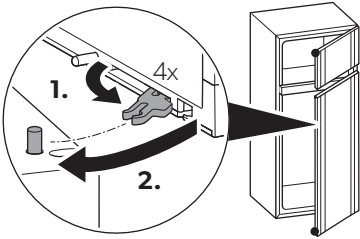
Defrost

7



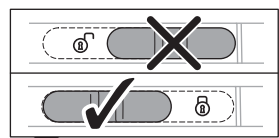
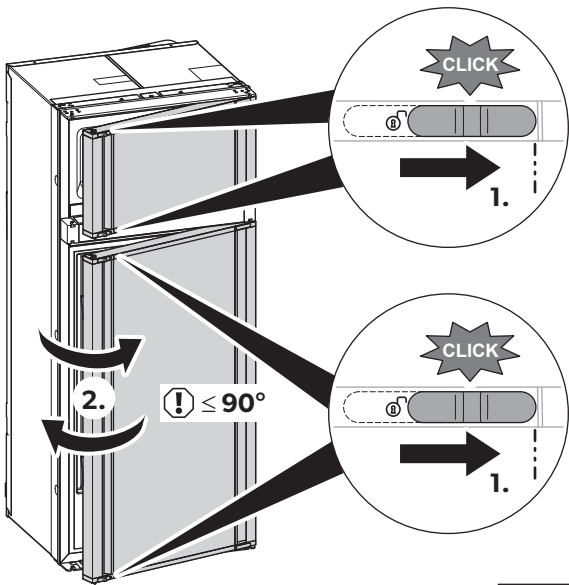
Winter

8



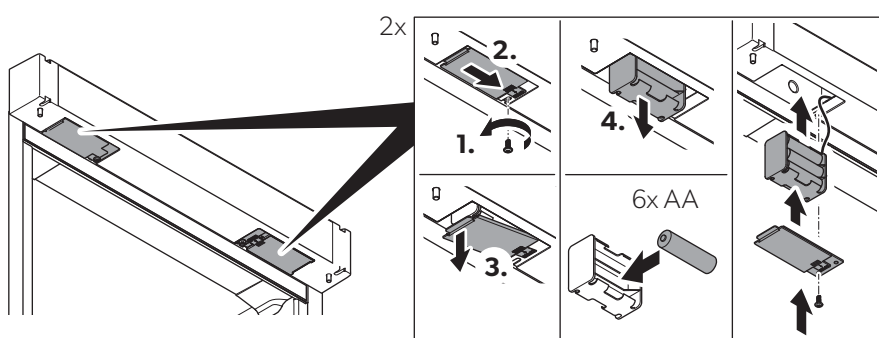
Releasing Door

9



Batteries

10



Cleaning Gas Burner

11

