

Aventa comfort AU



Installation instructions

Contents

| | |
|-----------------------------|---|
| Symbols used | 2 |
| Technical data | 2 |

Installation instructions

| | |
|--|---|
| Scope of delivery | 3 |
| Accessories for installation (optional) | 3 |
| Intended use | 3 |
| Installation dimensions (in mm) | 3 |
| Clearance around the air conditioning system | 3 |
| Air inlets / outlets | 4 |
| Condensation traps | 4 |
| Selecting a location | 4 |
| Cut-out installation 400 x 400 | 4 |
| Installation with new cut-out | 5 |
| Preparation for power cable connection and control panel cable | 5 |
| Securing the device | 5 |
| Use of roof thickness adapters | 6 |
| Securing the air distributor | 6 |
| Inserting the filters | 6 |
| 230 V ~ electrical connection | 7 |
| Function test / remote control mounting | 7 |

Symbols used



The device must only be installed and repaired by an expert.



Symbol indicates a possible hazard.



Note containing information and tips.

Technical data

Determined on the basis of EN 14511 or Truma test conditions.

Power supply

230 V – 240 V ~, 50 Hz

Power consumption

Cooling: 4.2 A

Heating: 3.7 A

Starting current

28 A (150 ms)

Cooling power

2.4 kW

Heating power

1.7 kW (heat pump)

Air volume flow

max. 400 m³/hr.

Usage limits

+4 °C to 40 °C.

Maximum angle during operation

8 %

Weight

33 kg plus installation materials

Dimensions (W x H x D)

External: 660 x 248 x 1008 mm

Internal: 523 x 46 x 670 mm

Refrigerant

R 407C

Refrigerant content

see type plate on unit



Right reserved to make technical changes!

Installation instructions



Fig. 1

Only competent and trained staff (experts) are permitted to install and repair the Truma product and to carry out the function test, at the same time observing the installation and operating instructions and the currently recognised technical regulations. Experts are persons who, based on their specialist instruction and training, their knowledge and experience with Truma products and the relevant standards, can carry out the necessary work properly and identify potential hazards.

Scope of delivery

External unit:

- 1 Aventa comfort
- 2 brackets
- 4 screws M6 x 70 coated with screw sealant
- 6 screws M6 x 12 coated with screw sealant
- 1 base ring
- 2 roof thickness adapters (each 10 mm)
- 1 remote control with mounting
- 2 screws 2.9 x 16 for mounting
- 2 AAA batteries
- 1 set of operating and installation instructions
- 1 installation template
- 3 Wago clamps
- 1 control panel cable

Air distributor (must be ordered separately)

- 1 air distributor, fully assembled

Accessories for installation (optional)

Roof thickness adapter 10 mm, 1 pc. (part no. 40091-16900)

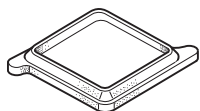


Fig. 2

Sealing frame (part no. 40091-19500)

Recommended for optimum sealing when retrofitting in vehicles with 400 x 400 mm cut-out.

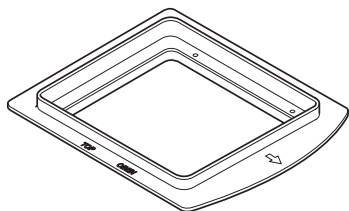


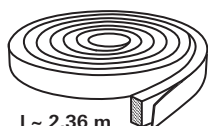
Fig. 3

Covering tape

cream (part no. 40091-31200)

grey (part no. 40091-31300)

For compensating for a gap of up to 5 mm between air distributor and roof.



l ~ 2.36 m

Fig. 4

12 V adapter for air distributor lighting
1 pc. (part no. 40091-33000)

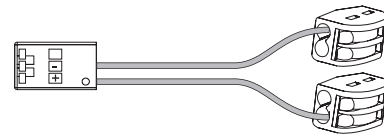


Fig. 5

Intended use

This device has been designed for installation in motor homes and caravans and is intended for use in the private sector. Other applications are only permitted after prior consultation with Truma.

Installation dimensions (in mm)

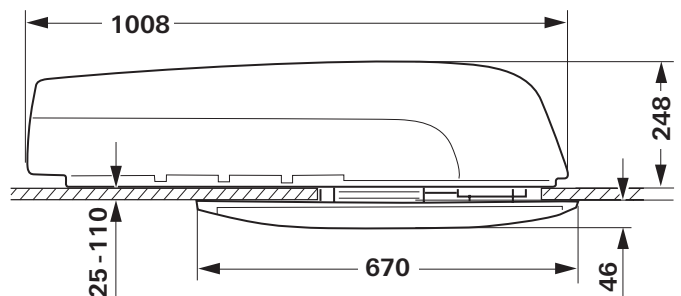


Fig. 6

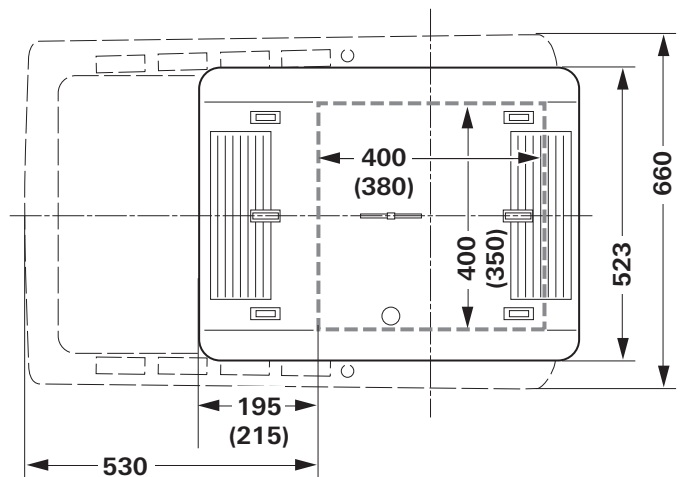


Fig. 7

Clearance around the air conditioning system

The clearance around the **external unit** must be 20 mm at the front and 100 mm at the side. At least 30 mm of clearance must be left at the rear. Truma recommends clearance of 200 mm so that the exhaust air can blow out freely.

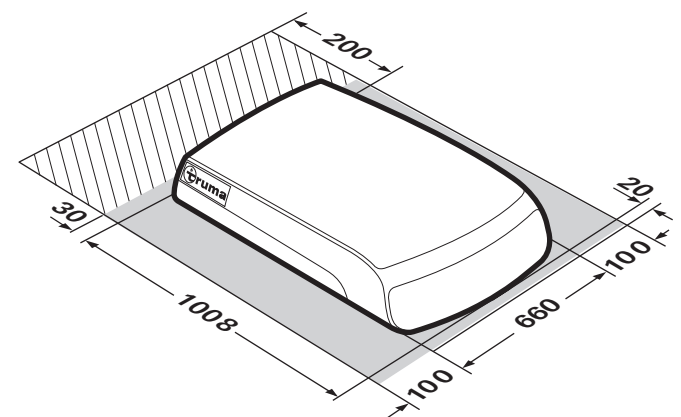


Fig. 8

The clearance around the **air distributor** must allow the air to blow out without obstructions. The side clearance must be at least 40 mm. The pivoting range of flaps and doors must be taken into consideration.

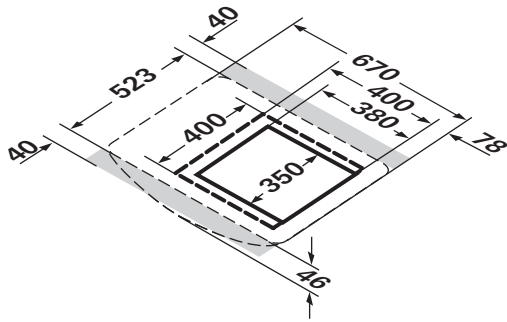


Fig. 9

Air inlets / outlets

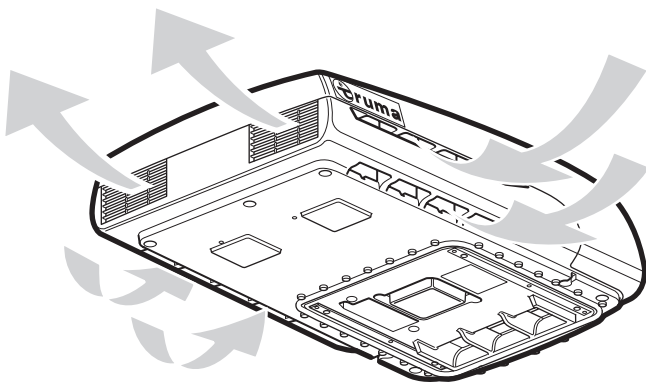


Fig. 10

Condensation traps

The condensation is led away via the roof of the vehicle.

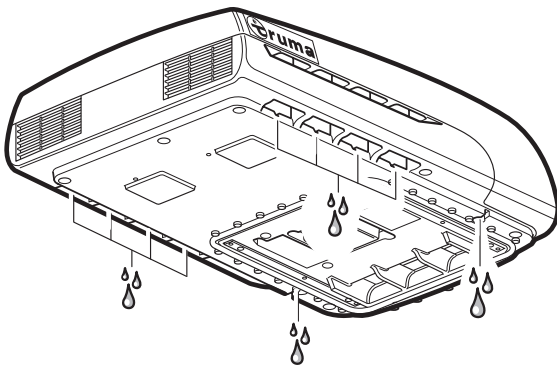


Fig. 11

Right reserved to make technical changes!

Control panel cable

To simplify **subsequent** installation of BUS appliances, feed the control panel cable that is supplied in the accessory kit together with the mains cable through the false ceiling. Fix the free end of the control panel cable to a suitable place, such as in a wardrobe, as a connection point.

Selecting a location

! Once the roof-mounted air conditioning system has been installed, any nearby exhaust cowl must extend at least 10 cm above the air conditioning system. The exhaust cowl must be extended if necessary (pay attention to the heater manufacturer's specifications).

The roof of the vehicle (roof thicknesses of 25 to 110 mm) must be level and smooth.

Three installation options are available:

- The cut-out must be cut out again (350 x 380 mm).
- Cut-out of an existing roof hatch (400 x 400 mm) **without** a sealing frame (accessory).
- Cut-out of an existing roof hatch (400 x 400 mm) **with** a sealing frame (accessory). The installation instructions are included with the sealing frame.

Attention must always be paid to the following points:

- The device should be installed as close as possible to the centre of the vehicle.
- Check that no obstructions are present that will hinder installation.
- There may be electrical cables running between the interior and the exterior of the roof. Disconnect all voltage sources before starting the work (all poles).
- The roof load must not be exceeded (see vehicle manufacturer's specifications).
- Check interior installation site for obstructions.
- A wooden reinforcing frame (min. 25 mm) must be installed around the roof cut-out between the upper and lower surfaces of the roof. The insulation may have to be removed.

! When the skylight with safety ventilation is replaced by the air conditioning system, it must be ensured that the safety ventilation is restored in another suitable location.

Cut-out installation 400 x 400

For optimum sealing we recommend the use of the sealing frame that is available as accessory (part no. 40091-19000).

For installation with a sealing frame, please refer to the installation instructions provided with the sealing frame.

When installing the device in vehicles **with** an existing roof hatch, the cut-out must measure 400 x 400 mm.

Remove existing roof hatch (make cut-out bigger if necessary).

Remove sealant residue and unevenness.

Fill in screw holes with body sealant.

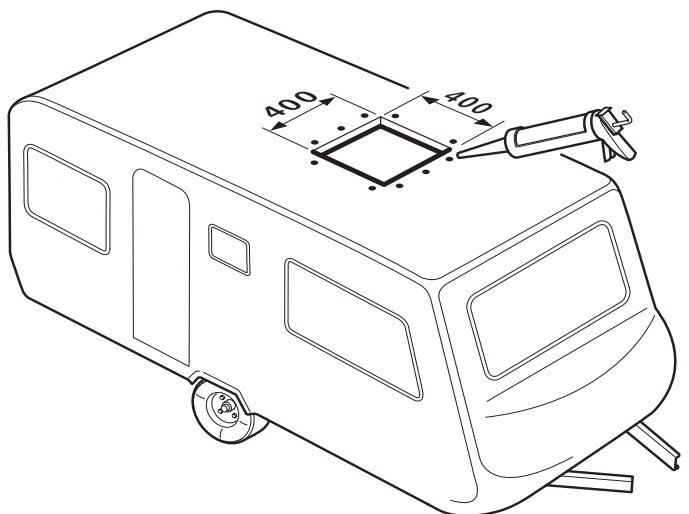


Fig. 12

For the other installation steps, please refer to "Preparation for power cable connection".

Installation with new cut-out

For vehicles without an existing cut-out:
required cut-out 350 x 380 mm.

Place template on installation location on vehicle, mark cutout (350 x 380 mm) and cut it out.

Mark the 4 holes (10 mm) for bracket attachment and drill holes in roof.

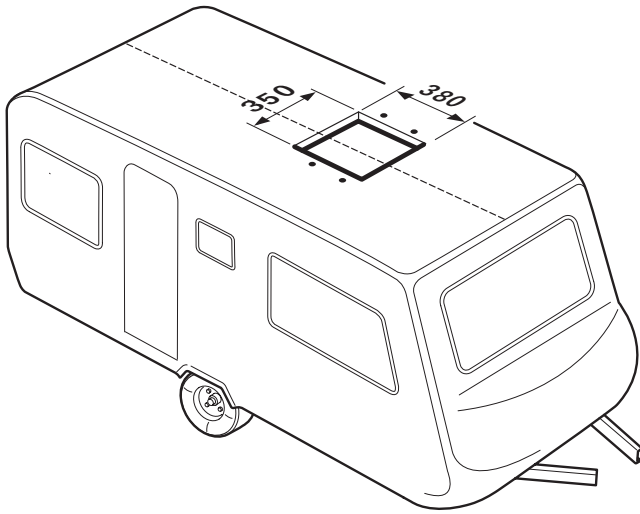


Fig. 13

Preparation for power cable connection and control panel cable

Provide the lead-through to the connection point for the mains cable and control panel cable, e.g. in the false ceiling.

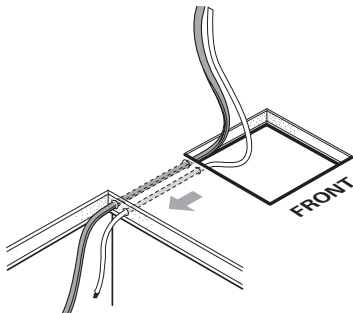


Fig. 14

Move device to roof in a horizontal position and insert into cut-out. The arrow should point in the direction of travel.

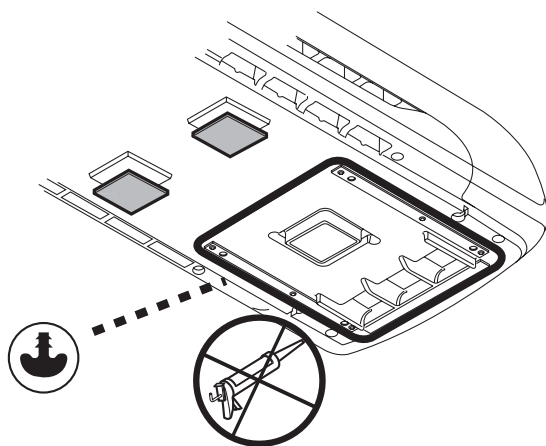


Fig. 15

i Do not apply any additional sealing materials between the air conditioning system and the roof.

i If the device was turned around or moved out of its horizontal installation position, wait 2 hours before switching it on.

Push device forwards in cut-out as far as it will go.

Remove protective film from device.

Route the power cable and control panel cable to the connection point (lengthen the mains cable with the provided Wago clamps if necessary).

i If the lighting of the air distributor is also going to be optionally operated using 12 V, the 12 V adapter that is available as an accessory must now be connected. The installation instructions are provided with the 12 V adapter.

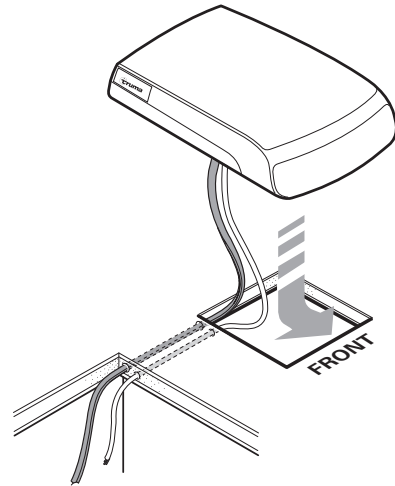


Fig. 16

Securing the device

Screw the two brackets (marked with an arrow in the direction of travel) to the device using the 4 provided M6 x 70 screws (with screw sealant).

Torque 1.8 Nm

If the roof is more than 50 mm thick, M6 screws (length = roof thickness + 30 mm) with tensile strength of 8.8 must be used. The screws must be secured with low-strength screw sealant (e.g. Loctite).

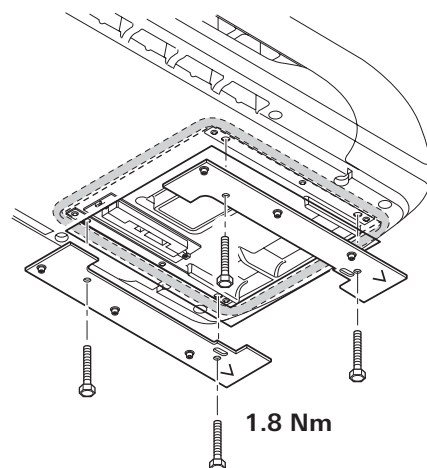


Fig. 17

i If the screws are used more than once (e.g. after removal) they must be coated with low-strength screw sealant again (e.g. Loctite) or the screws provided as spare parts used.

Use of roof thickness adapters

Push base ring (1) and, depending on the thickness of the roof, the roof thickness adapters (2 or 2+3, included) for roof thicknesses of 25 to 50 mm into the air distributor as far as they will go. If the roof is thicker, use additional 10 mm roof thickness adapters (see accessories). Maximum roof thickness 110 mm

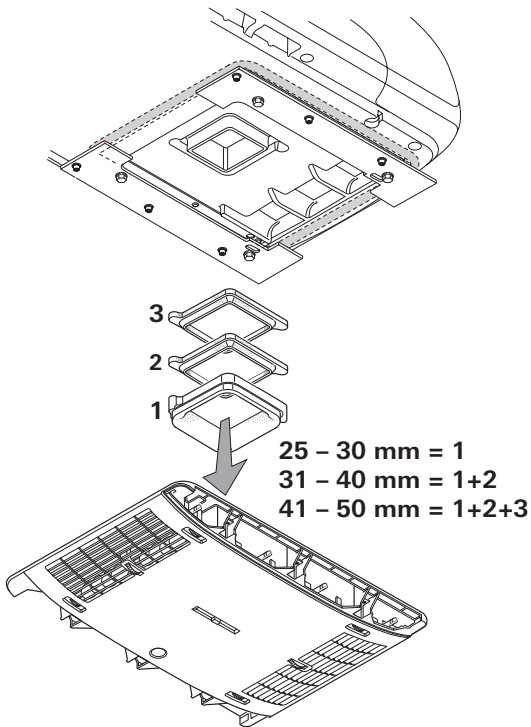


Fig. 18

Securing the air distributor

Connect the cable from the air distributor and the control panel cable to the control unit.

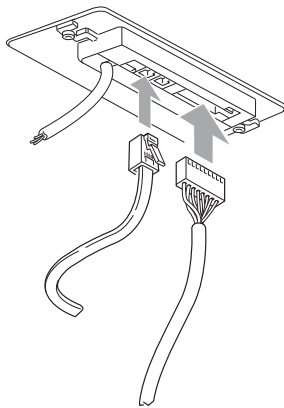


Fig. 19

Screw air distributor (arrow in direction of travel) to bracket with 6 screws M6 x 12 mm.

i The covering tape that is available as an accessory can be used to compensate for the gap between the air distributor and the roof.

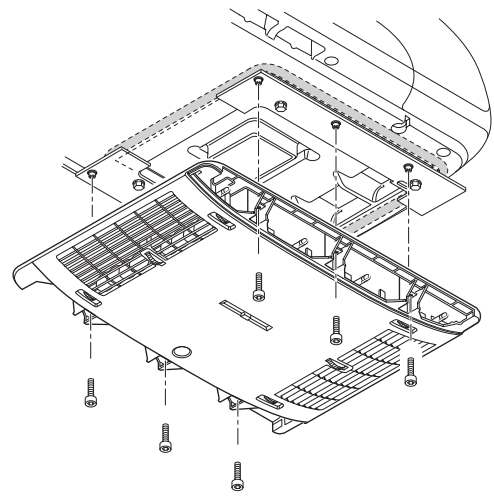


Fig. 20

i If the screws are used more than once (e.g. after removal) they must be coated with low-strength screw sealant again (e.g. Loctite) or the screws provided as spare parts used.

Inserting the filters

Insert filters into panels and attach to the air distributor.

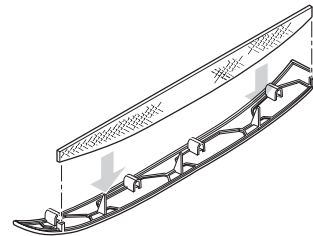


Fig. 21

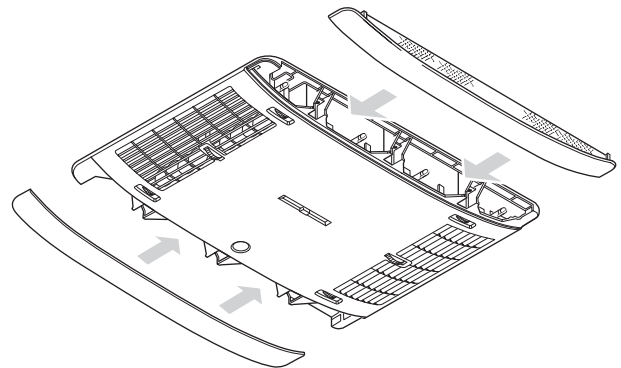


Fig. 22

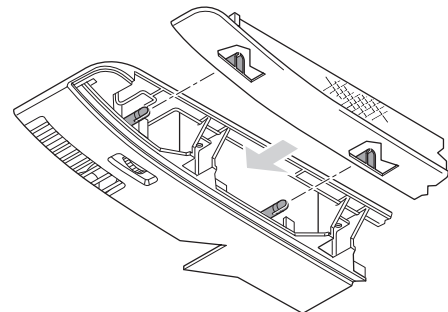


Fig. 23

230 V ~ electrical connection



The 230 V ~ electrical connection must always be made by an expert (in accordance with VDE 0100, part 721 or IEC 60364-7-721, for example, in Germany). The instructions shown here do not constitute a request to non-experts to make the electrical connection, but serve as additional information for an expert who is employed to do the work!

Connect the mains cable that has been routed to the connecting point.

All cables must be secured with clamps!

An insulating device for providing all-pole insulation from the mains with contact clearance of at least 3.5 mm must be provided at the vehicle side for carrying out maintenance and repair work.

Function test / remote control mounting

Attach the mounting for the remote control in the required location.

All device functions must subsequently be tested as described in the operating instructions.

The installer must check that the condensation traps are clear after installing the system.

The operating instructions must be handed over to the vehicle owner.

In Australia, always notify the Service Australia if problems are encountered; in other countries the relevant service partners should be contacted (www.truma.com).

Having the equipment model and the serial number ready (see type plate) will speed up processing.