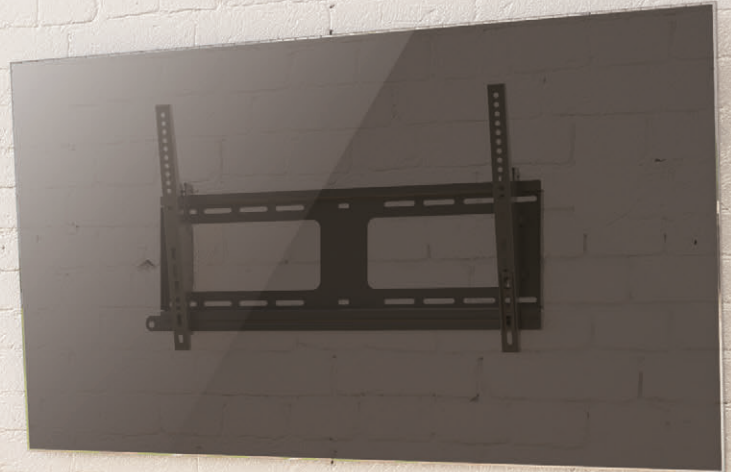




OUTDOOR **WEATHERPROOF**



Over 90H Salt Spray Test! Specifically Designed to Handle Near Ocean Environments



outdoor powder-coated

electroplate

steel



Stainless Steel Screws
for added protection against salt air

Durable Electroplating & Outdoor Powder-Coated Finish
capable of enduring the harshest weather

CONTACT:

Starburst Technologies®,
a division of PDI Communications Inc.

6353 W Rogers Circle, #6
Boca Raton, FL 33487
TF: 800-242-1606
Email: sales@starburstmounts.com
Web: www.starburstmounts.com
©2019 All rights reserved.

SB-3260ART-W

SB-3765ART-D-W

SB-3780WMT-W

OUTDOOR WEATHERPROOF

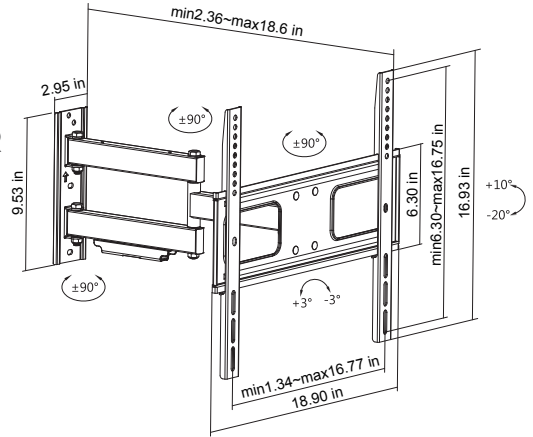


Anti-Theft Screws
ideal for public areas

SB-3260ART-W

OUTDOOR WEATHER PROOF SERIES

single arm



Specifications

Screen Size	Weight Capacity	VESA
32"-60"	36kg/80lbs	200x200 300x200 300x300 400x200 400x300 400x400
Profile to Wall	Tilt Range	Swivel Range
60-473mm/2.4"-18.6"	+10° - -20°	+90° - -90°
Screen Level	Curved TV	Strength Tested
+3° - -3°	Yes	Four Times

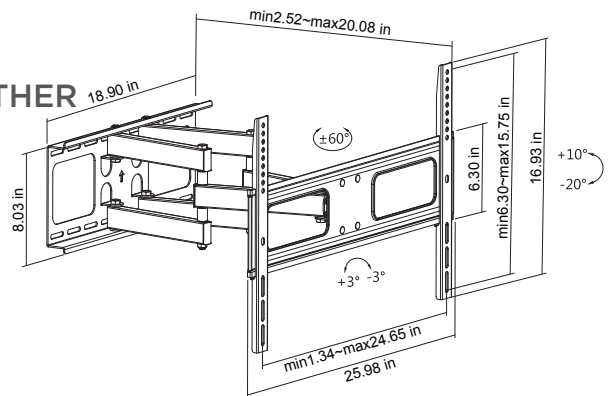


Anti-Theft Screws
ideal for public areas

SB-3765ART-D-W

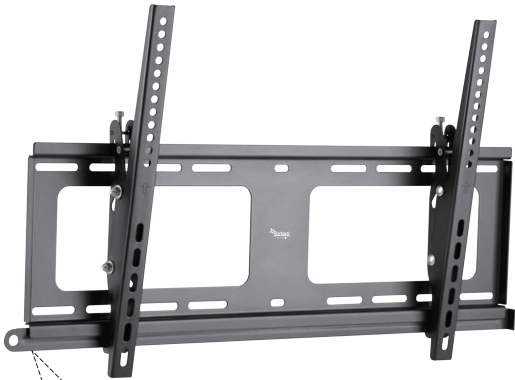
OUTDOOR WEATHER PROOF SERIES

dual arm



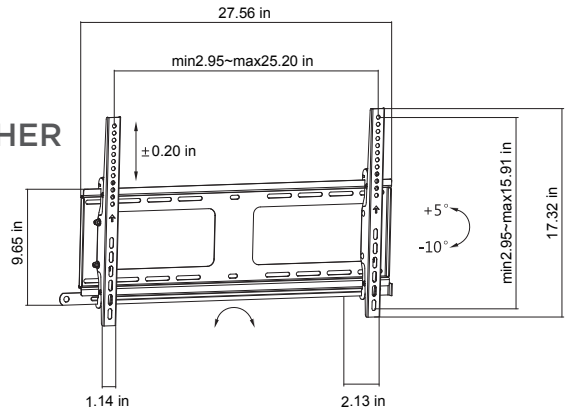
Specifications

Screen Size	Weight Capacity	VESA
37"-65"	41kg/90lbs	200x200 300x200 300x300 400x200 400x300 400x400 600x400
Profile to Wall	Tilt Range	Swivel Range
64-510mm/2.5"-20.1"	+10°--20°	+60°--60
Screen Level	Curved TV	Strength Tested
+3° - -3°	Yes	Four Times



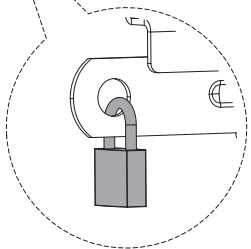
OUTDOOR WEATHER
PROOF SERIES

FIXED-TILT



Specifications

Screen Size	Weight Capacity	VESA
37"-80"	80kg/176lbs	200x200 300x200 300x300 400x200 400x300 400x400 600x400
Profile to Wall	Tilt Range	Anti-theft
54mm/2.1"	+5° - -10°	Yes
Screen Level	Curved TV	Strength Tested
+5° - -5°	Yes	Four Times



Anti-Theft Design
perfect for public places

SB-3780WMT-W



Starburst Technologies

a division of PDI Communications Inc.

6353 W Rogers Circle, #6

Boca Raton, FL 33487

TF: 800-242-1606

Email: sales@starburstmounts.com

Web: www.starburstmounts.com

©2019 All rights reserved.