



CONTACT:

Starburst Technologies®
a division of PDI Communications Inc.

6353 W Rogers Circle #6, Boca Raton, FL 33487
TF: 800-242-1606
Email: support@starburstmounts.com
Web: www.starburstmounts.com

©2024 Starburst Technologies All rights reserved.

STARBURST TECHNOLOGIES:
Empowering Communication Networks
since 1986

Starburst Technologies (a division of PDI Communications Inc) is a full service design, engineering and manufacturing operation specializing in Ergonomic TV Mounting Solution.

<https://starburstmounts.com/pages/why-starburst>
<https://prezi.com/view/zDnpErebTKb2Vjvi9HMh/>



PROFESSIONAL
PRO AV SOLUTIONS

Empowering Communication Networks Since 1986

www.starburstmounts.com

ABOUT US

Starburst Technologies

Starburst Technologies (Starburst), a division of PDI Communications Inc (PDI), is a full-service design, engineering and manufacturing operation specializing in Professional TV Mounting Solutions.

We are your Commercial TV Experts!

Parent company, PDI Communications Inc (PDI), has over 38 years committed to the Commercial Television marketplace. From CABLE TV PIONEER (founder started in CATV in 1968) to DIRECTV MSO with over 150,000 hotel rooms within its DIRECTV portfolio to becoming the largest SAMSUNG Hospitality TV Channel Partner in the USA with over \$150 mill sold.

Experience You Can Trust

Our Starburst TV Wall Mounts can be found in Hotels, Resorts, Convention Centers, Airports, Cruise Ships, Theme Parks, Arenas, Stadiums, and High-End homes. When you factor in our Commercial grade quality, long-standing track record and cost-effective price point, Starburst TV Mounts make an excellent choice for your next project.

WHY STARBURST



TRACK RECORD

Over 38 years in business! We are experts in all things related to TV



SUPPORT

All Starburst Mounts are supported by CAD drawings, detailed Instruction Manuals, fantastic spec brochures, animated Installation Videos on & expert call center technical support.



FIVE STAR QUALITY –BETTER PRICE POINT!

Engineered to compete spec-for-spec with top-end brands but at a more cost-effective price point. All key models have formal UL Listing.

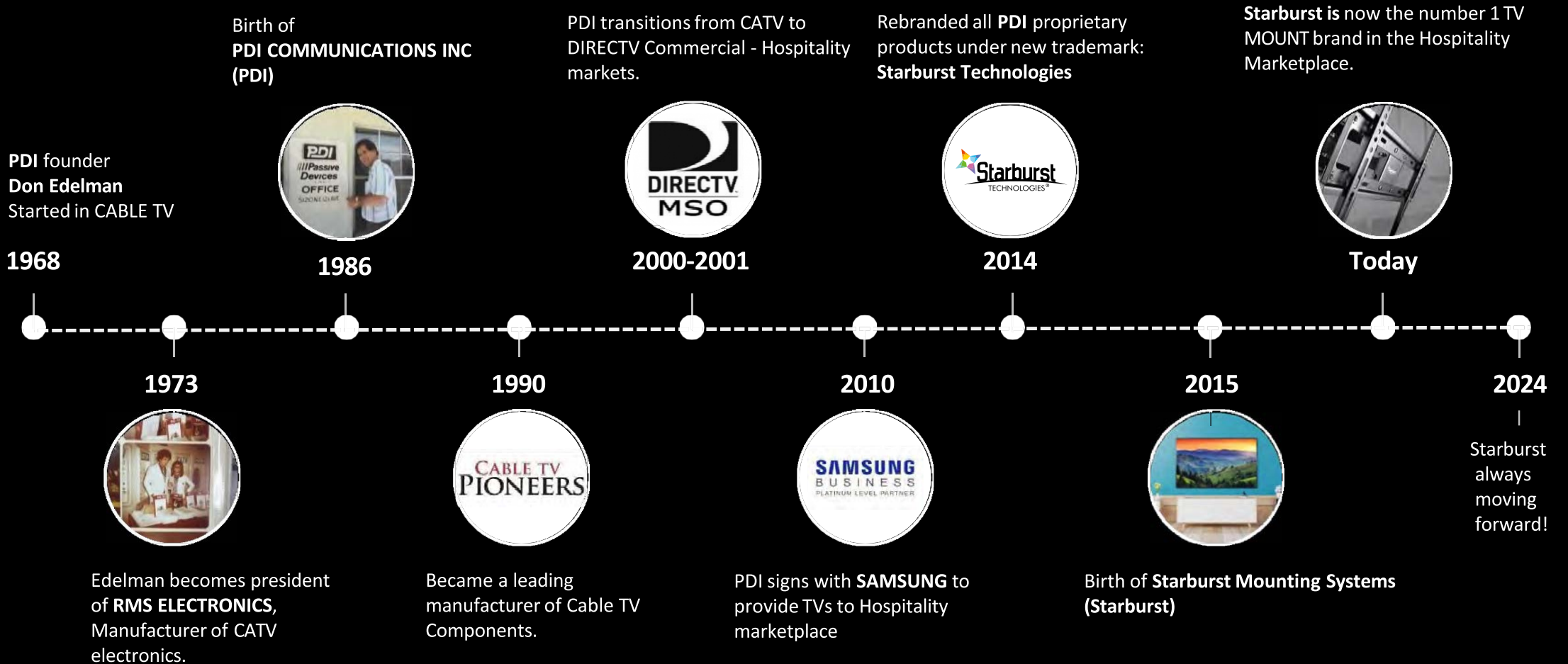


REAL TIME DIGITAL E COM FULFILLMENT



5 YEAR WARRANTY

STARBURST STORY



CONTENTS

- Projector Mounts 01**
- Menu Boards 04**
- TV Ceiling Mounts 09**
- Video Wall Mounts 15**
- Out Door TV Mounts 21**
- Fireplace TV Mounts 24**
- Powered TV Mounts 27**
- DIY TV Lifts 30**
- TV Bezels 33**
- Soundbar - Media Player Mounts 35**
- Desk Top Monitor Arms 43**
- Mobile TV Carts 48**

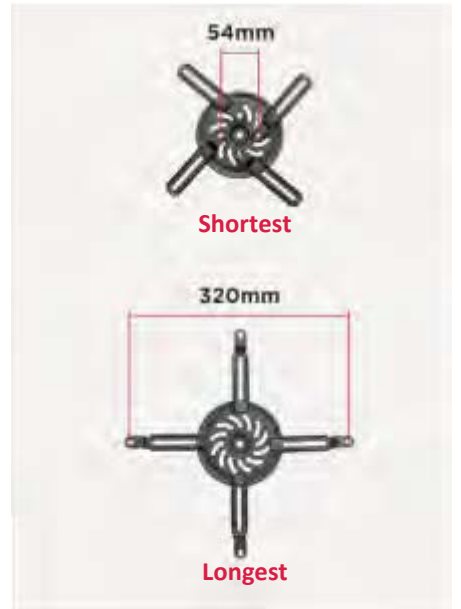
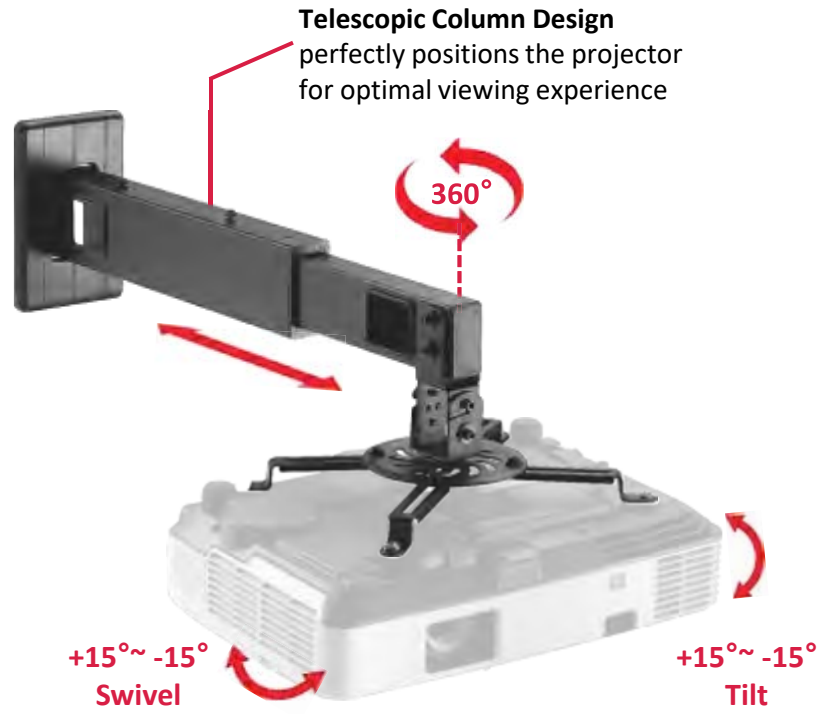
Projector Mounts



SB-PM SERIES

STEEL SHORT THROW PROJECTOR MOUNTS

- Ensure proper operation and picture quality
- Provide a wide range of adjustability and movement with easy installation



Adjustable Support Arms
fit most short throw projectors

SB-PM21M



SB-PM21L



Integrated Cable Management
keeps a neat and clean appearance

SB-PCM Series

Heavy-Duty Projector Ceiling Mounts

For Flat or Pitched Ceiling



SB-PCM-01S



SB-PCM-01M

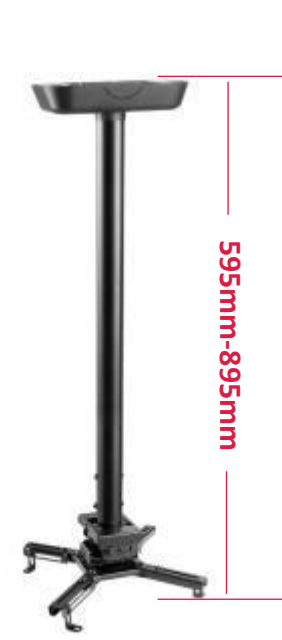


SB-PCM-01L

For Flat Ceiling



SB-PM-02S



SB-PCM-02M



SB-PCM-02L

Color: ● ○

Menu Boards

Midway Airport (MDW)						Midway Airport (MDW)					
Departing To	Airline	Flight	Sched	Gate	Remark	Departing To	Airline	Flight	Sched	Gate	Remark
Akron/Canton, OH	DELTA	1571	9:09p	B6	on time	Augusta, GA	DELTA	1451	7:14p	C41	on time
Akron/Canton, OH	DELTA	1147	5:52p	C46	on time	Austin, TX	DELTA	2471	2:11p	B25	at 2:26p
Akron/Canton, OH	DELTA	1200	3:29p	B28	on time	Austin, TX	DELTA	690	4:10p	A31	at 4:26p
Akron/Canton, OH	Southwest	1194	4:30p	C15	on time	Austin, TX	DELTA	1837	9:48p	D5	on time
Akron/Canton, OH	Southwest	2616	10:00p	C21	on time	Austin, TX	DELTA	223	3:10p	C1	on time
Albany, GA	DELTA	5351	9:10p	D44	on time	Austin, TX	FRONTIER	2254	8:20p	A20	on time
Albany, GA	DELTA	5335	4:03p	D13	on time	Austin, TX	DELTA	1309	7:10p	F1	on time
Albany, NY	DELTA	6047	3:10p	B9	on time	Austin, TX	DELTA	1133	5:30p	C21	on time
Albany, NY	DELTA	1515	7:16p	C20	on time	Baltimore/Washington	DELTA	2413	4:30p	E18	on time
Albany, NY	Southwest	628	4:30p	E1	on time	Baltimore/Washington	Southwest	2024	7:05p	C20	on time
Albany, NY	DELTA	1710	8:15p	C5	on time	Baltimore/Washington	DELTA	715	3:30p	B13	on time
Albuquerque, NM	DELTA	794	3:30p	D13	on time	Baltimore/Washington	Southwest	880	8:36p	A10	on time
Albuquerque, NM	Southwest	5156	9:01p	D14	on time	Baltimore/Washington	DELTA	1824	2:58p	A27	on time
Alexandria, LA	DELTA	5155	4:08p	D14	on time	Baltimore/Washington	DELTA	1924	9:55p	C4	on time
Alexandria, LA	DELTA	5267	2:57p	D31	at 3:07p	Baltimore/Washington	DELTA	252	5:10p	C5	at 4:56p
Allentown, PA	DELTA	622	11:40p	E10	on time	Baltimore/Washington	Southwest	468	4:35p	B6	at 4:30p
Amsterdam	KLM	074	9:06p	E10	on time	Baltimore/Washington	DELTA	1525	4:21p	C20	on time
Amsterdam	DELTA	074	9:06p	D14	at 3:10p	Baltimore/Washington	DELTA	730	8:35p	D31	on time
Appleton, WI	DELTA	5323	3:01p	D14	on time	Baton Rouge, LA	Southwest	5247	9:49p	D15	on time
Appleton, WI	DELTA	2562	7:25p	C43	on time	Baton Rouge, LA	DELTA	5137	6:55p	D15	on time
Asheville, NC	DELTA	5189	4:44p	C30	on time						
Asheville, NC	DELTA	5584	3:00p	C55	on time						
Asheville, NC	DELTA	2582	8:46p	C34	on time						
Allentown, PA	DELTA	072	6:34p	F6	on time						
Amsterdam	DELTA	622	11:40p	E10	on time						
Amsterdam	KLM	074	9:06p	E10	at 3:10p						
Amsterdam	DELTA	074	9:06p	D14	at 3:10p						
Amsterdam	DELTA	5323	3:01p	D14	on time						
Appleton, WI	DELTA	2562	7:25p	C43	on time						
Appleton, WI	DELTA	5189	4:44p	C30	on time						
Asheville, NC	DELTA	5584	3:00p	C55	on time						
Asheville, NC	DELTA	5292	10:50p	D16	on time						
Asheville, NC	DELTA	5292	10:50p	B3	on time						

SB-MB Series

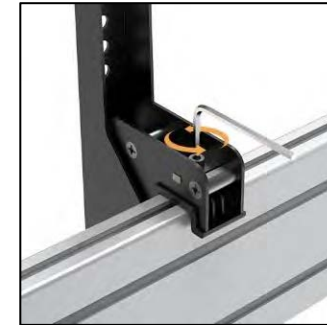
Modular Menu Board Wall Mount (Popular Solutions)



Ample Tilting with Safety Pin
secures viewing position



Anti-Theft Design
(padlock required)



Level Adjustment



Cable Management



SB-MB-24



SB-MB-34

SB-MB Series

Modular Menu Board Wall Mount (Customizable Solutions)

Step1: Wall Plate



Wall Plate
(SB-W01)

Step2: Choose Mounting Rail



700mm
(SB-VS02R70)

1500mm
(SB-VS02R150)

2000mm
(SB-VS02R200)

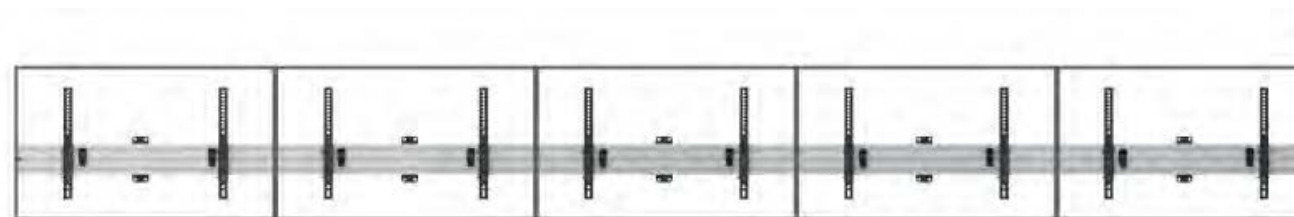
Multi-Screens Installation
use connecting rail to customize
your own video wall solution

Step3: Bracket



Tilt Bracket
(SB-BR-40T)

Example



1x5 Display Solution

SB-MBC Series

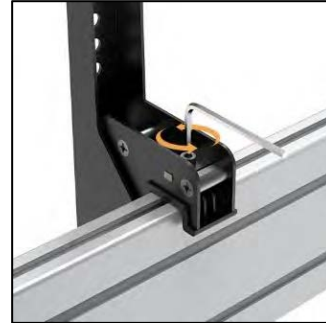
Modular Menu Board Ceiling Mount (Popular Solutions)



Ample Tilting with Safety Pin
secures viewing position



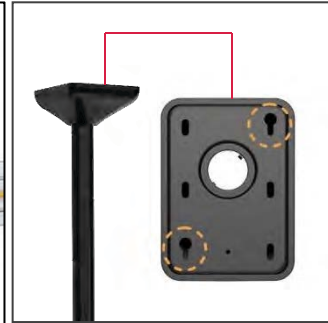
Anti-Theft Design
(padlock required)



Level Adjustment
for perfect alignment



Cable Management



Keyhole Pattern Slot
for easy installation



SB-MB-246TS-02
Dual Screen



SB-MB-C03-246TL-02
Dual Screen with Long Pole



SB-MB-C03-346TS-03
Triple Screen



SB-MB-C03-346TL-03
Triple Screen with Long Pole

SB-MBC Series

Modular Menu Board Ceiling Mount (Customizable Solutions)

Step1: Ceiling Plate



Joins a Pole to Ceiling

Ceiling Plate
(SB-VC03-W01)

Step2: Choose Pole



1000mm
(SB-VC03-C100-2)

1500mm
(SB-VC03-C150-2)

Step4: Collar & Bracket



Collar
(SB-C-W02)



Tilt Bracket
(SB-40T)

Step3: Choose Mounting Rail



700mm(27.5")
(end caps & cable clips included)

1500mm(59.0")
(end caps & cable clips included)

2000mm(78.7")
(end caps & cable clips included)

(extension kits included if needed)

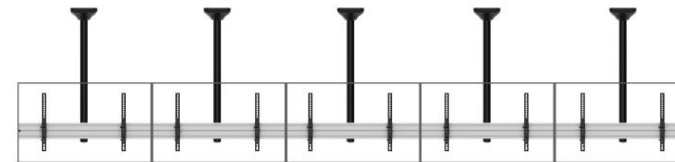
700mm
(SB-02-R70)

1500mm
(SB-02-R150)

2000mm
(SB-02-R200)

Multi-Screens Installation
use connecting rail to customize
your own video wall solution

Example



1x5 Display Solution

TV Ceiling Mounts



SB-CM Series

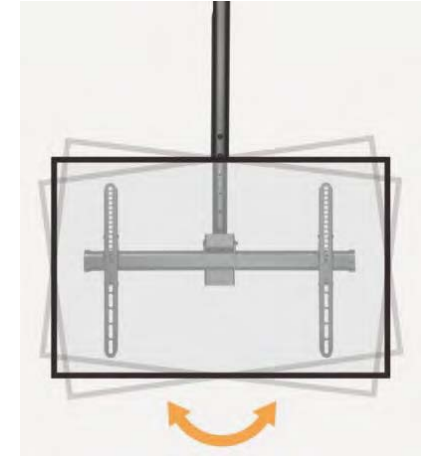
Heavy-Duty TV Ceiling Mount



Tiltable Ceiling Plate
can be adjusted 60° for use with flat or pitched ceiling



Telescopic Pole
keeps height adjustment quick and easy



Preset Leveling Adjustment
ensures perfect positioning after hanging



360° Swivel
allows easy viewing angle adjustment



Freely Tilting
provides maximum visibility



Internal Cable Management
conceals cables for a clean look

SB-CM Series

Heavy-Duty TV Ceiling Mount-For Single Screen

SB-CM1-01S/01L



For Flat or Pitched Ceiling

SB-CM1-02S/02L



For Flat Ceiling

SB-CM2-01S/01L



For Flat or Pitched Ceiling

SB-CM2-02S/02L



For Flat Ceiling

Item No.	SB-CM1-01S/01L	SB-CM1-02S/02L	SB-CM2-01S/01L	SB-CM2-02S/02L
Fit Screen Size	23"- 42"	23"- 42"	32"- 55"	32"- 55"
VESA Compatible	100x100, 200x100, 200x200	100x100, 200x100, 200x200	200x200, 300x300 400x200, 400x400	200x200, 300x300 400x200, 400x400
Weight Capacity	50kg/110lbs	50kg/110lbs	50kg/110lbs	50kg/110lbs
Strength Tested	Four Times	Four Times	Four Times	Four Times
Profile	01S: 560-910mm(22.0"-35.8") 01L: 1060-1560mm(41.7"-61.4")	02S: 560-910mm(22.0"-35.8") 02L: 1060-1560mm(41.7"-61.4")	01S: 560-910mm(22.0"-35.8") 01L: 1060-1560mm(41.7"-61.4")	02S: 560-910mm(22.0"-35.8") 02L: 1060-1560mm(41.7"-61.4")
Tilt Range	+0°--25°	+0°--25°	+0°--25°	+0°--25°
Swivel Range	+180°--180°	+180°--180°	+180°--180°	+180°--180°
Screen Level	+3°--3°	+3°--3°	+3°--3°	+3°--3°

SB-CM Series

Heavy-Duty TV Ceiling Mount-For Single Screen

SB-CM3-01S/01L



For Flat or Pitched Ceiling

SB-CM3-01XL



For Flat or Pitched Ceiling

SB-CM3-02S/02L



For Flat Ceiling

Item No.	SB-CM3-01S/01L	SB-CM3-01XL	SB-CM3-02S/02L
Fit Screen Size	37"-70"	37"-70"	37"-70"
VESA Compatible	200x200, 300x300, 400x200 400x400, 600x400	200x200, 300x300, 400x200 400x400, 600x400	200x200, 300x300, 400x200 400x400, 600x400
Weight Capacity	50kg/110lbs	50kg/110lbs	50kg/110lbs
Strength Tested	Four Times	Four Times	Four Times
Profile	01S: 560-910mm(22.0"-35.8") 01L: 1060-1560mm(41.7"-61.4")	2500-3000mm(98.4"-118.1")	02S: 560-910mm(22.0"-35.8") 02L: 1060-1560mm(41.7"-61.4")
Tilt Range	+0°--25°	+0°--25°	+0°--25°
Swivel Range	+180°--180°	+180°--180°	+180°--180°
Screen Level	+3°--3°	+3°--3°	+3°--3°

SB-CM Series

Heavy-Duty TV Ceiling Mount-For Dual Screens

SB-CM1-01SD/01LD



For Flat or Pitched Ceiling

SB-CM2-01SD/01LD



For Flat or Pitched Ceiling

SB-CM3-01SD/01LD



For Flat or Pitched Ceiling

SB-CM3-01XLD



For Flat or Pitched Ceiling

Item No.	SB-CM1-01SD/01LD	SB-CM2-01SD/01LD	SB-CM3-01SD/01LD	SB-CM3-01XLD
Fit Screen Size	23"- 42"	32"- 55"	37"-70"	37"-70"
VESA Compatible	100x100, 200x100, 200x200	200x200, 300x300 400x200, 400x400	200x200, 300x300, 400x200 400x400, 600x400	200x200, 300x300, 400x200 400x400, 600x400
Weight Capacity	45kg/99lbs (x2)	45kg/99lbs (x2)	45kg/99lbs (x2)	45kg/99lbs (x2)
Strength Tested	Three Times	Three Times	Three Times	Three Times
Profile	01SD: 560-910mm(22.0"-35.8") 01LD: 1060-1560mm(41.7"-61.4")	01SD: 560-910mm(22.0"-35.8") 01LD: 1060-1560mm(41.7"-61.4")	01SD: 560-910mm(22.0"-35.8") 01LD: 1060-1560mm(41.7"-61.4")	2500-3000mm(98.4"-118.1")
Tilt Range	+5°--20°	+5°--20°	+5°--20°	+5°--20°
Swivel Range	+180°--180°	+180°--180°	+180°--180°	+180°--180°
Screen Level	+3°--3°	+3°--3°	+3°--3°	+3°--3°

SB-CM1332

Telescopic Full-motion TV Ceiling Mount



Item No.	SB-CM1332
Screen Size	13"-32"
VESA Compatible	75x75, 100x100
Weight Capacity	25kg/55lbs
Strength Tested	4 Times Approved
Profile	560-910mm (22"-35.8")
Tilt Range	0°--25°
Swivel Range	+180°--180°
Screen Level	+3°--3°

Video Wall Mounts



SB-VW02E Series

Affordable Full Service Video Wall Mounts



Easy to Build an Impressive Video Wall at a Budget Price!



Pop-Out Design
provides quick and easy service access



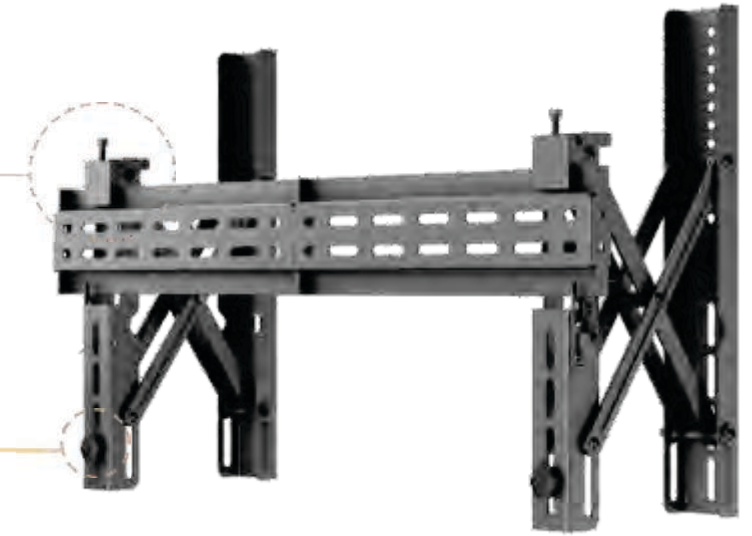
Protective Locking Kit
prevents accidental display pop-outs



Anti-Theft Design
perfect for public areas
(padlock not included)



Micro Adjustment Knob
for easy alignment even installing on an uneven wall



Screen Level



Height Adjustment



Lateral Adjustment



Modular Mount Allows Various Configurations Display



SB-VW02E-46T
Max. VESA 600x400

SB-VW02E-48T
Max. VESA 800x400

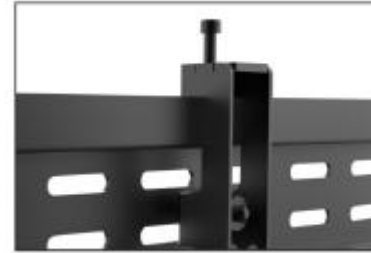
Fit Screen Size: 37"-70"
Weight Capacity: 70kg/154lbs
Profile: 78~220mm (3.1"~8.7")
Screen Leveling: +3° to -3°

SB-VW02 Series

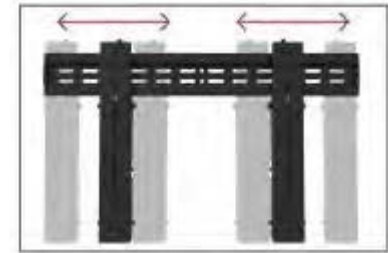
Multi-screen Video wall mounts



Protects Displays



Built-in Screen Level Adjustment



Lateral Shift Brackets



Anti-Theft Design



Quick-Lock by a Press



Easily Pulled Out for Quick Maintenance



Easily pop-out

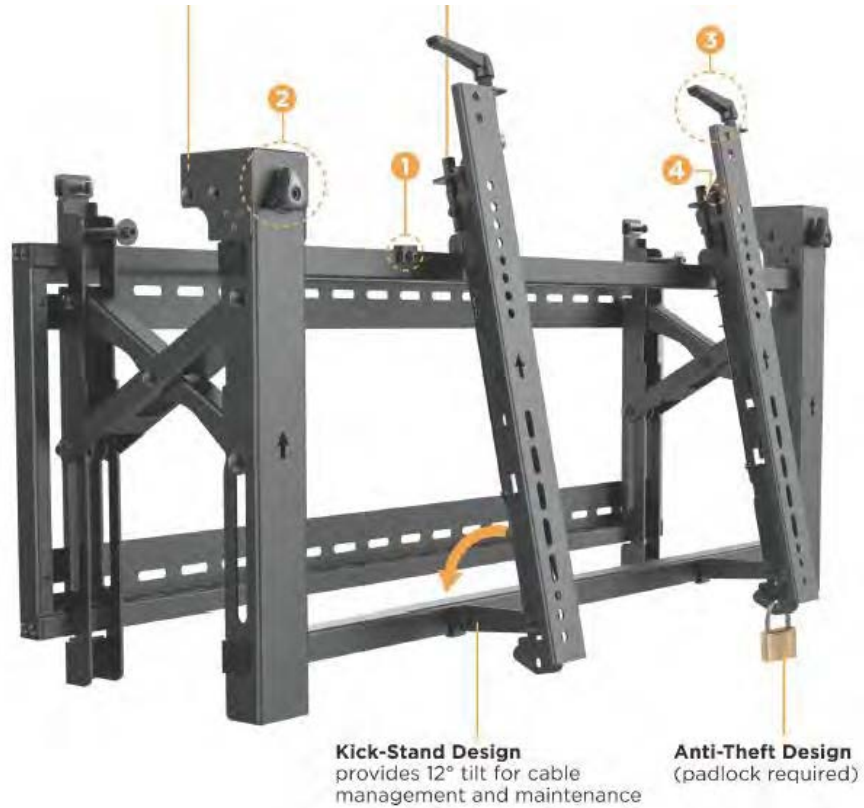
With POP-Out Function	SB-VW02-46T	Fit Screen Size: 37"~70" Weight Capacity: 45kg/99lbs Screen Levelling: +3°~-3°	Max Vesa 400x600	Profile: 68~215mm(2.7"~8.5")
	SB-VW02-48T		Max Vesa 400x800	
Without POP-Out Function	SB-VW02-46F		Max Vesa 400x600	Profile: 56~215mm(2.2"~8.5")
	SB-VW02-48F		Max Vesa 400x800	

SB-VW03 Series

Premium Video Wall Mount

Pop-Out Lock System

Lock & Unlock Switch Knob



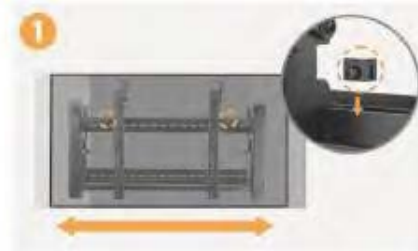
Pop-Out Lock system



Lock & Unlock Switch Knob



Pop-Out Extension



Lateral Shift



Rotary Knobs



Adjustment Handles



Height Adjustment

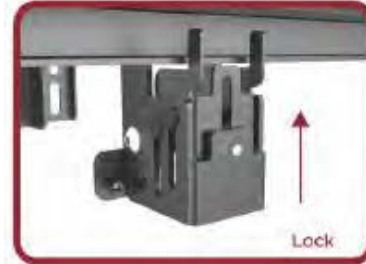
With POP-Out Function	SB-VW03-46T	Fit Screen 45"-70" max vesa 400x600	Profile: 143~306mm(5.6"~12") Tilt Range: +3°~ -5° Screen Level: +3°~-3°	Weight Capacity: 70kg(154lbs)
	SB-VW03-48T	Fit Screen 54"-70" max vesa 400x800		
Without POP-Out Function	SB-VW03-46F	Fit Screen 45"-70" max vesa 400x600	Profile: 76mm(3") Tilt Range: +3°~ -5° Screen Level: +3°~-3°	
	SB-VW03-48F	Fit Screen 54"-70" max vesa 400x800		

SB-VW Series

Video Wall Mounting System



Unlock



Lock



Anti-theft Design



Pop-out Lock System



Pop-out Extension



Tilt Adjustment

Height Adjustment



Depth Adjustment

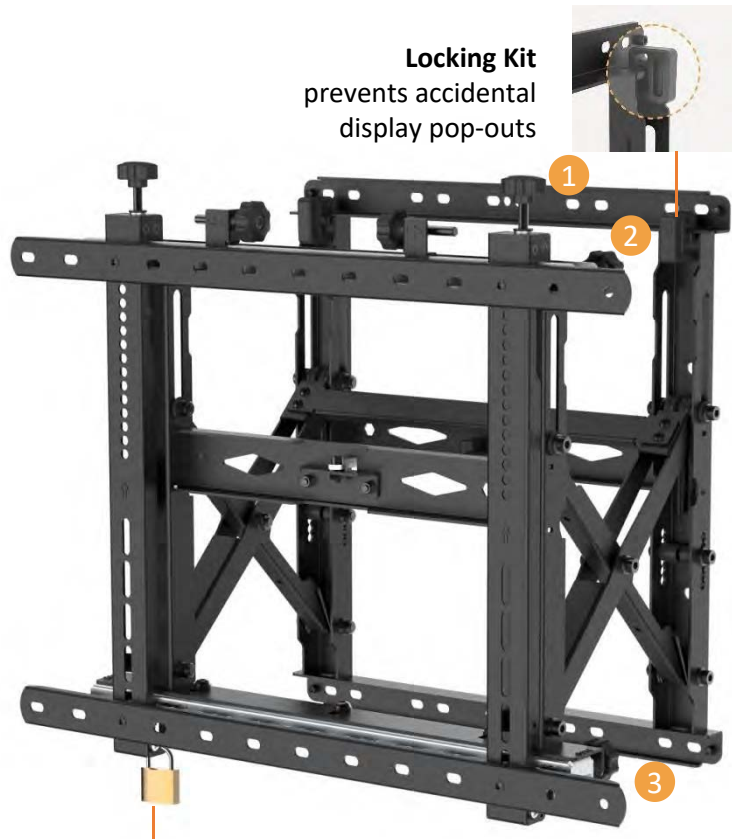
Multi-dimensional Micro Adjustment

With POP-Out Function	SB-4570VW-LAND	Fit Screen 45"-70" Max vesa 400x600	Weight capacity: 70kg(154lbs) Profile: 95~285mm(3.7"~11.2") Tilt Range: +4°~-2° Screen Level: +3°~-3°
	SB-4580VW-LAND	Fit Screen 45"-80" Max vesa 400x800	

SB-VMFS Series

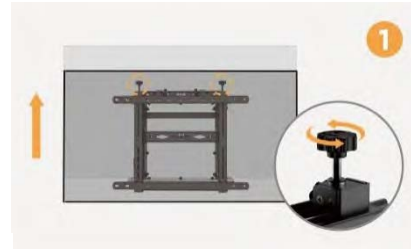
Optimal Full Service Video Wall Mount with Quick Release

Toolless Micro-Adjustments ensure seamless alignment



Locking Kit
prevents accidental display pop-outs

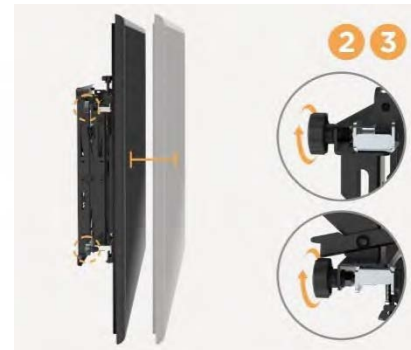
Anti-Theft Design
(padlock not included)



Height Adjustment: +13mm



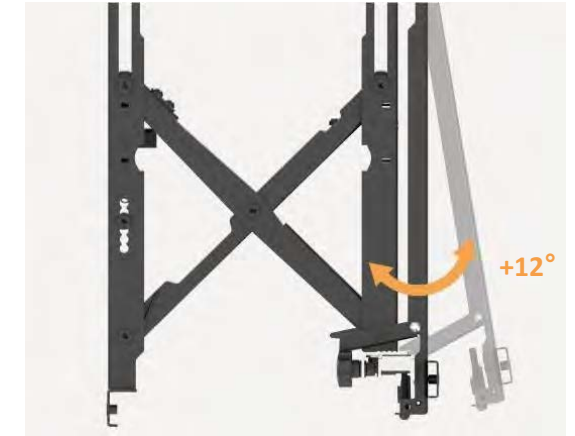
Tilt Range: +4°~ -2°
individual rotation adjust the tilt



Depth Adjustment: +13.5mm
simultaneous rotation adjust the depth



Push to Open or Close
easy to pop-out for quick service access



Kick-Stands
provides 12° tilt for maintenance

Item No.	SB-VMFS
Screen Size	45"~70"
Weight Capacity	70kg/154lbs
Strength Tested	Four Times
Max. VESA	600x400

Out Door TV Mounts



SB-3780WMT-W

Outdoor Weatherproof Tilt TV Wall Mount



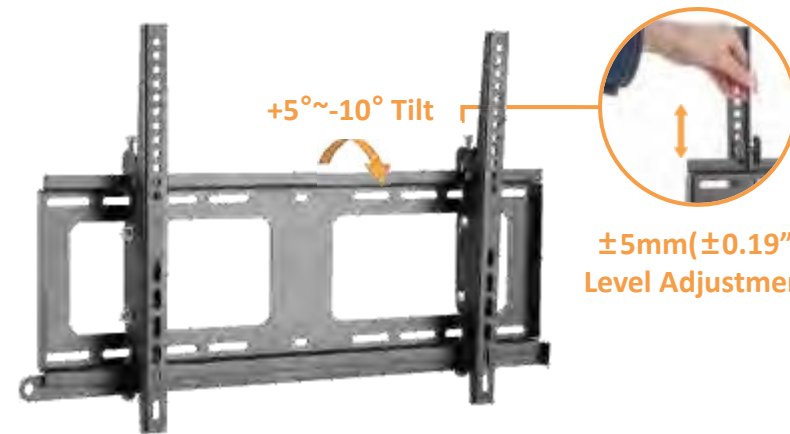
High Quality Outdoor Powder-Coated Finish



Stainless Steel Screws for added protection against salt air



Anti-theft Design provide better protection (padlock required)



SB-3780WMT-W
Fits most 37"~80" TVs



SB-3270WMT-W
Fits most 32"~70" TVs

SB-3765ART-W / SB-3780ART-W

Outdoor Full-Motion TV Wall Mounts



SB-3765ART-W
Screen Size: 32"-65"
Max. VESA: 400×400

SB-3780ART-W
Screen Size: 37"-80"
Max. VESA: 600×400

With the 304 stainless steel fasteners



Quick lock and release system holds TV in place with no tools required



Freely tilting at a desired viewing angle by using an adjusting knob



Integrated cable management keeps cables neatly organized

Fireplace TV Mounts



SB-FPM Series

Premium Pull-Down Mantel TV Mounts



SB-FPM6585 Gas Spring & Mechanical Spring

Fit Screen Size: 65"-85"
 Weight Capacity: 20~45kg (44lbs~99lbs)
 Max. Mounting Hole: 600x538

Gas Spring & Mechanical Spring Design for easier pushing and pulling, provides a stable motion



SB-FPM4370 Mechanical Spring

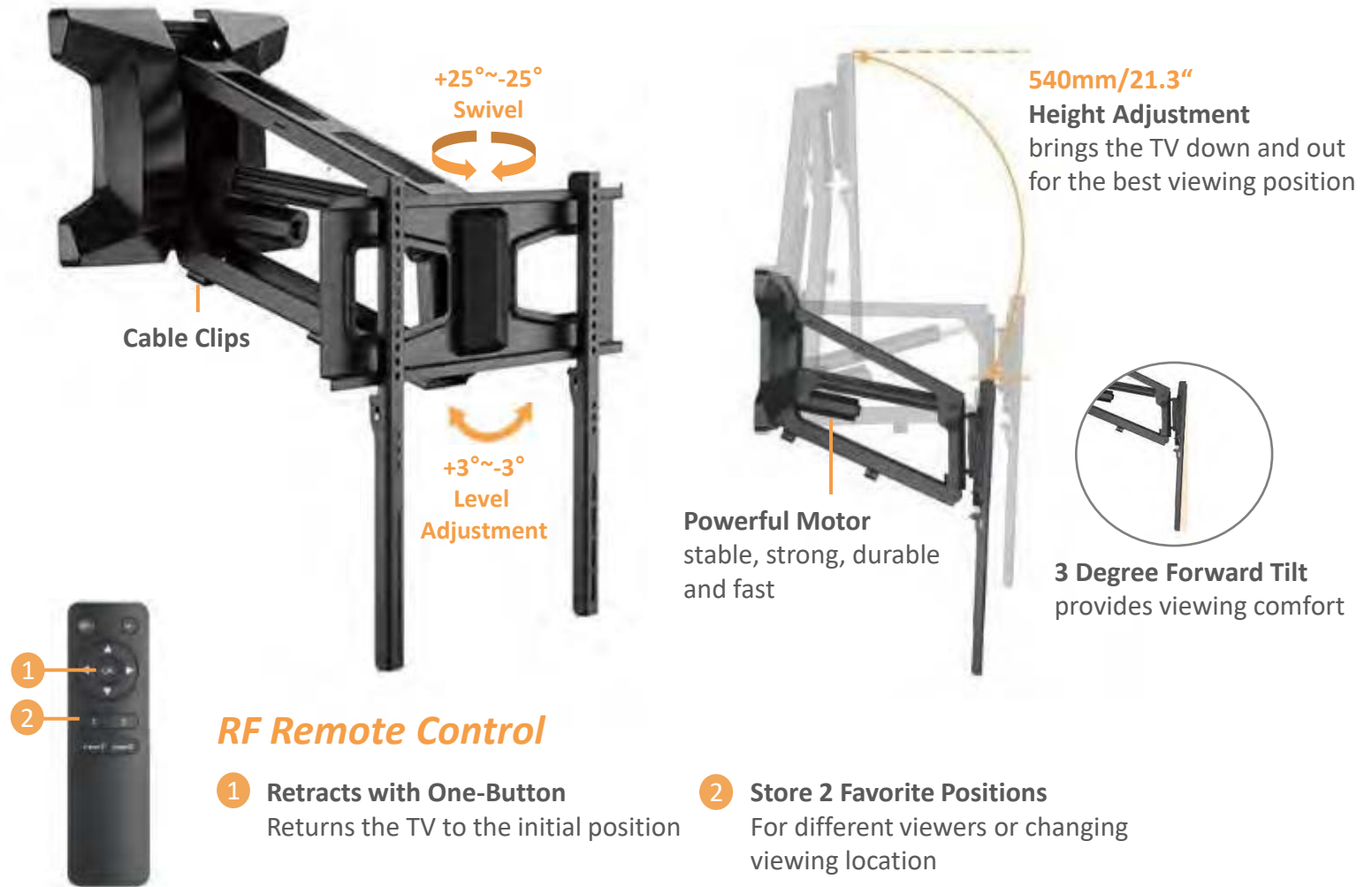
Fit Screen Size: 43"~70"
 Weight Capacity: 13~33kg (28.6~72.6lbs)
 Max. Mounting Hole: 600x538

SB-FPM-MOTOR Series

Motorized Mantel TV Mount



For most 37"-70" TVs up to 35kg/77lbs



Cable Clips

+25°~-25° Swivel

+3°~-3° Level Adjustment

540mm/21.3" Height Adjustment
brings the TV down and out for the best viewing position

Powerful Motor
stable, strong, durable and fast

3 Degree Forward Tilt
provides viewing comfort

RF Remote Control

- 1 Retracts with One-Button**
Returns the TV to the initial position
- 2 Store 2 Favorite Positions**
For different viewers or changing viewing location

Powered TV Mounts





SB-PFD Series

Flip Down TV Ceiling Mounts Powered By Tuya

Intelligent remote via Tuya app now-offers three memory settings, one click manages all.



Flip Up and Down
saves space when not in use



Fits Pitched Ceilings

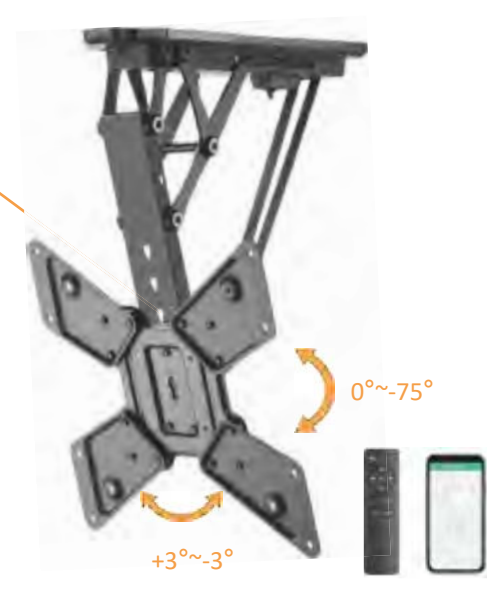


SB-3270PFD

Fit Screen Size: 32"- 70"
Weight Capacity: 35kg/77lbs
Profile: 108mm(4.3")

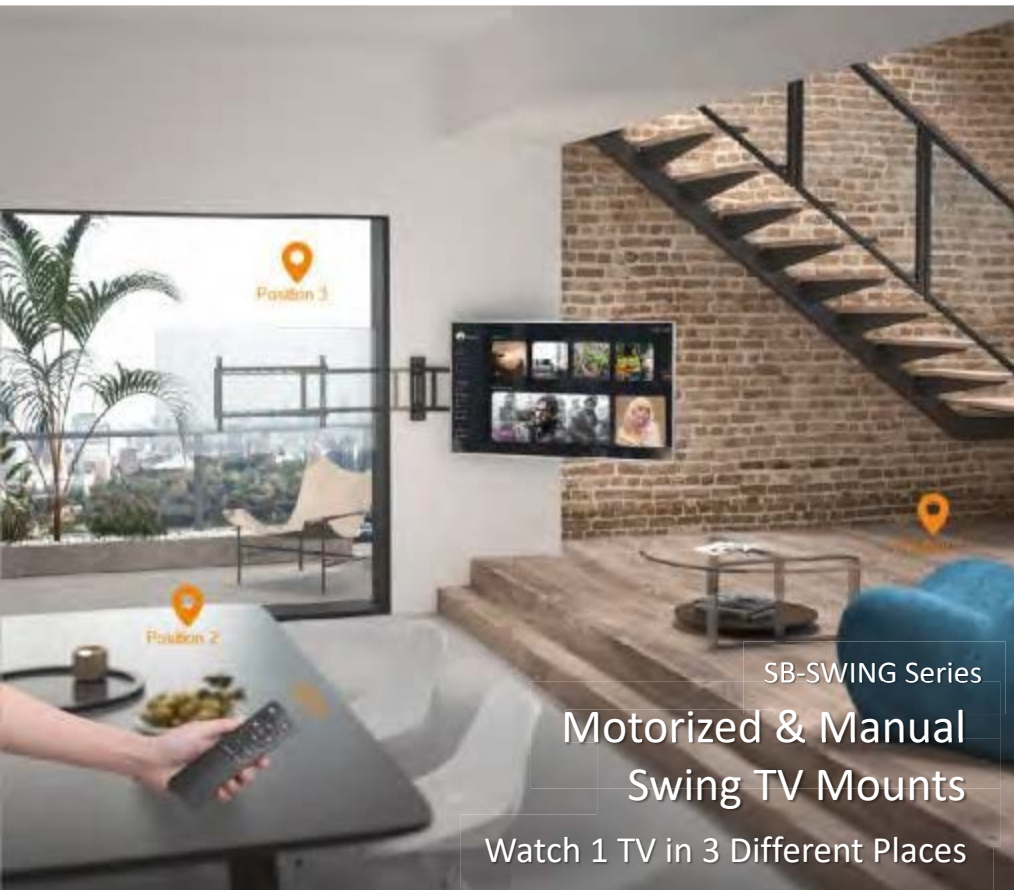


Keyhole Pattern
for easy installation



SB-2355PFD

Fit Screen Size: 23"- 55"
Weight Capacity: 30kg/66lbs
Profile: 108mm(4.3")



SB-SWING Series
**Motorized & Manual
 Swing TV Mounts**
 Watch 1 TV in 3 Different Places



Find the Perfect Viewing Angle
 with One Simple Press

- Quiet Operation (<55dB)
- Anti-Collision System
- 2 Memory Settings

SB-SWING4075-MOT Motorized



Fit Screen Size: 40"-75"
Max. VESA: 600x400
TV Weight Capacity: 50kg/110lbs
Swivel Range: 0°~+170°



56mm/2.2"
Ultra-Slim but Sturdy Construction
 holds up to 150kg (330lbs) in load testing
 which is 3 times as heavy as the rated
 lifting capacity



2 Reinforced TV Holders
 securely fix the TV on the bracket

SB-SWING4075-MAN

Manual



Fit Screen Size: 40"-75"
Max. VESA: 600x400
TV Weight Capacity: 50kg/110lbs
Swivel Range: 0°~+180°



Cable Management
 keeps everything organized



POSITION IT ANYWHERE

**1 TV + 1 SWING TV MOUNT
 = 3 TVS**

DIY TV Lifts





SB-DIY3255

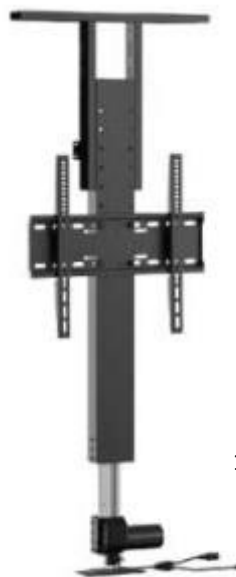
Motorized Floor & Ceiling TV Lift

Lift up or drop down. Conceal and integrate TV into any room.

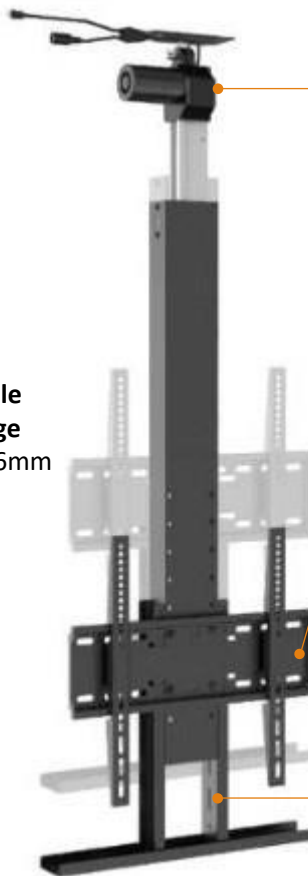


Control via
Remote Control

▼ Pop Up



▼ Drop Down



Customizable
Height Range
1095mm~2186mm
43"~86"

Quality Electric Linear Actuator
allows reversed-loaded operation
for ceiling mounting

Detachable Panel
installed to different height holes
for various needs

Holes for Precise Height Adjustment
to better fit different cabinets sizes
and story heights

SB-DIY3255

Fit Screen Size: 32"~55"

Max. VESA: 400x400

Height Adjustment: 1095mm~2186mm/43"~86"

Weight Capacity: 45kg/99lbs

Strength Tested: Four Times

Power Input: AC 100~240, 50/60Hz

Speed: 39mm/s

SB-DIYS SERIES

Motorized TV Lift Stands Powered By Tuya



Anti-Collision Function
protects your TV and décor
in the limit environment



Control via Remote Control/ Tuya APP
offers two memory settings and more

Conceal in box when not in use - saves space while maintaining the minimalist look.



Quality Motor

- smooth and flexible movement - built for a lifetime of use
- low decibel operation (<50dB)

Item No.	SB-DIYS-46M	SB-DIYS-46ML
Screen Size	37"-65"	37"-80"
Height Adjustment	810~2020mm/31.9"~79.5"	810~2170mm/31.9"~85.4"
Weight Capacity	60kg/132lbs	
Max. VESA	600×400	

TV Bezels





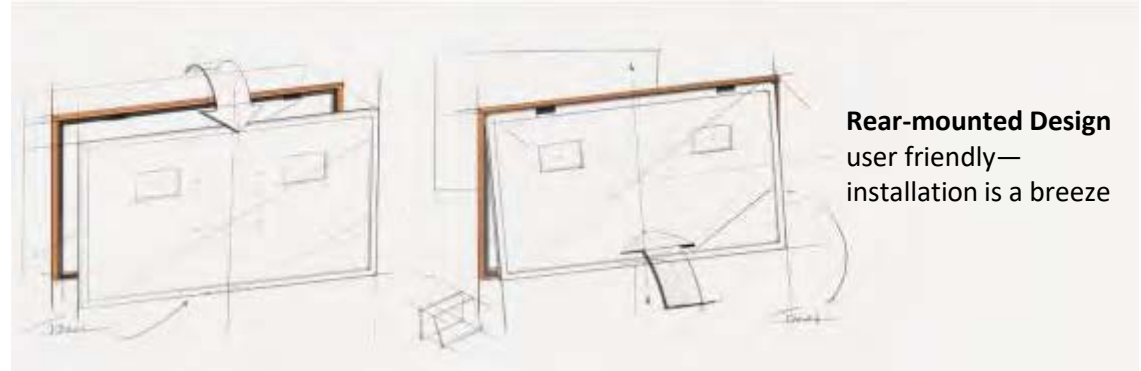
SB-FM01 Series

Modern Art Deco TV Frames

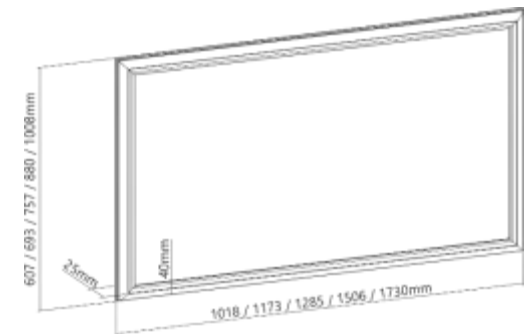
Bezel exclusively designed for Samsung The Frame TVs (2021 & 2022)



Solid Craftsmanship
seamlessly integrates with TV



Rear-mounted Design
user friendly—
installation is a breeze



Colors:
Gold Black Grey Misty Blue Silver

Item No.	SB-FM01-43	SB-FM01-50	SB-FM01-55	SB-FM01-65	SB-FM01-75
Fit TV Size	43"	50"	55"	65"	75"

Soundbar - Media Player Mounts



SB-SBAR-67 Adjustable Soundbar Wall Mount Brackets

Optimize Listening Experience at the Perfect Height



Depth Range: 90-154mm (3.5"-6.1")
Weight Capacity: 5kg/33lbs

Easy Installation
simply screw to the wall



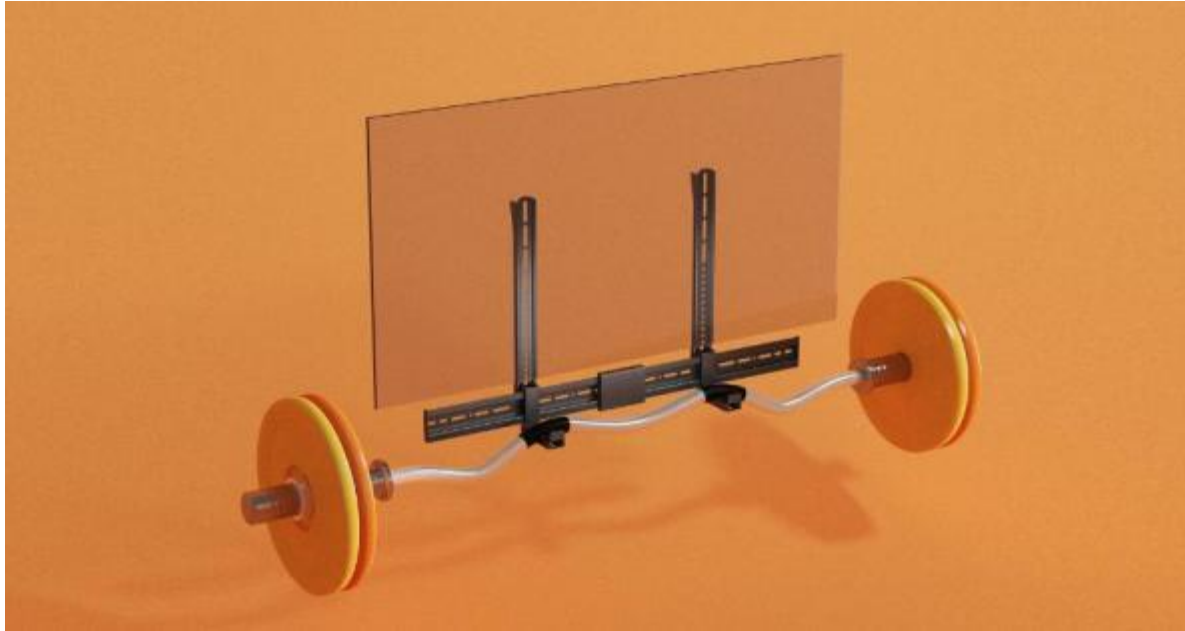
Locking Adjustable Depth
adapts to various soundbars of
3.5"-6.1" depth while providing a
strong grip



Anti-Slip EVA Pads
remove vibrations and protect
soundbar from scratches

SB-SBAR

Hercules Soundbar Mount - Universally Compatible



Built tough, this soundbar bracket can hold up to **33lbs/15kg** and is **compatible with most popular brands**. Suitable for fixed, tilt, and full motion TV mounts or TV floor stands.

INSTALLATION OPTIONS



Mount on the wall



Mount above TV



Mount below TV



EVA Pads
firmly secure the soundbar while preventing vibration noise



Adjustable Base Holder
compatible with various sized soundbars



Compatible with TV Mounts or Stands
works with VESA sizes up to 800x400mm



Branding Badge
covers hardware and for brand logo



Optimized Packaging
ideal for online fulfillment

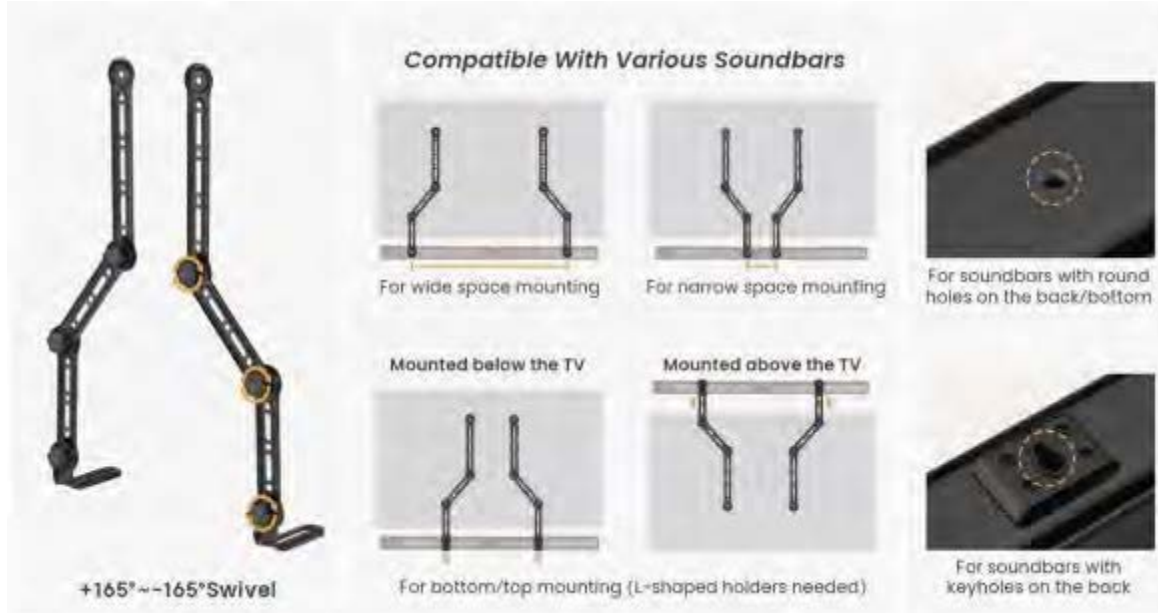


SB-SBAR

Applicable Device: Soundbar (Width: 86-155mm)
Weight Capacity: 15kg/33lbs
Profile: 112~181mm (4.4"~7.1")

SB-SBAR-70 Series

Universal Soundbar Mounts With L-Shaped Holders



SB-SBAR-70S
for universal soundbars & screens (up to 49")



Weight Capacity: 15kg (33lbs)
Profile: 138mm (5.4")

SB-SBAR-70L
for universal soundbars & screens (up to 90")



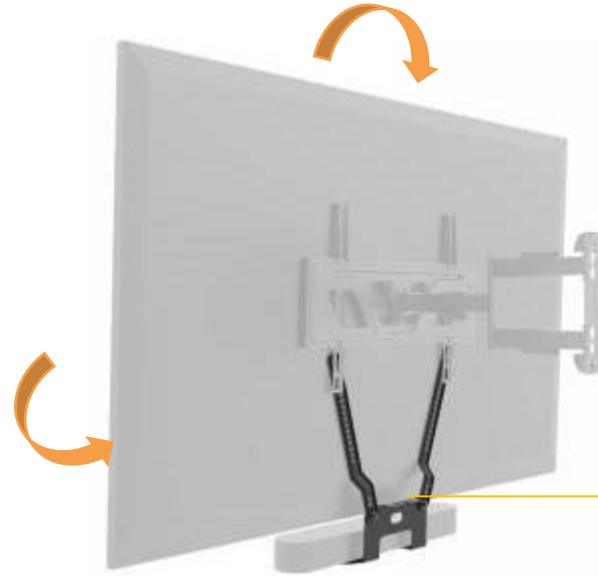
Weight Capacity: 15kg (33lbs)
Profile: 130mm (5.1")

SB-SBAR-61 Series

Compact Mounts for Sonos® Beam



Note: Sonos® and Sonos® product names referred to on the package and product information are trademarks or registered trademarks of SONOS, Inc.. All other product names and services may be trademarks or service marks of their respective owners.



Tilts and Swivels with you TV
directs audio to the viewer



Cable Management
Hides and organizes wiring

Plastic Decorative Covers
Protecting the rear of Sonos® Beam



SB-SBAR-61
Full-Motion
TV Mounts-Mounted



SB-SBAR-61W
Wall-Mounted

SB-SBAR-69 Series

Mounting Solutions for Sonos Ray

Provide a simple way to optimize the listening experience for any furniture layout.



◀ SB-SBAR-69



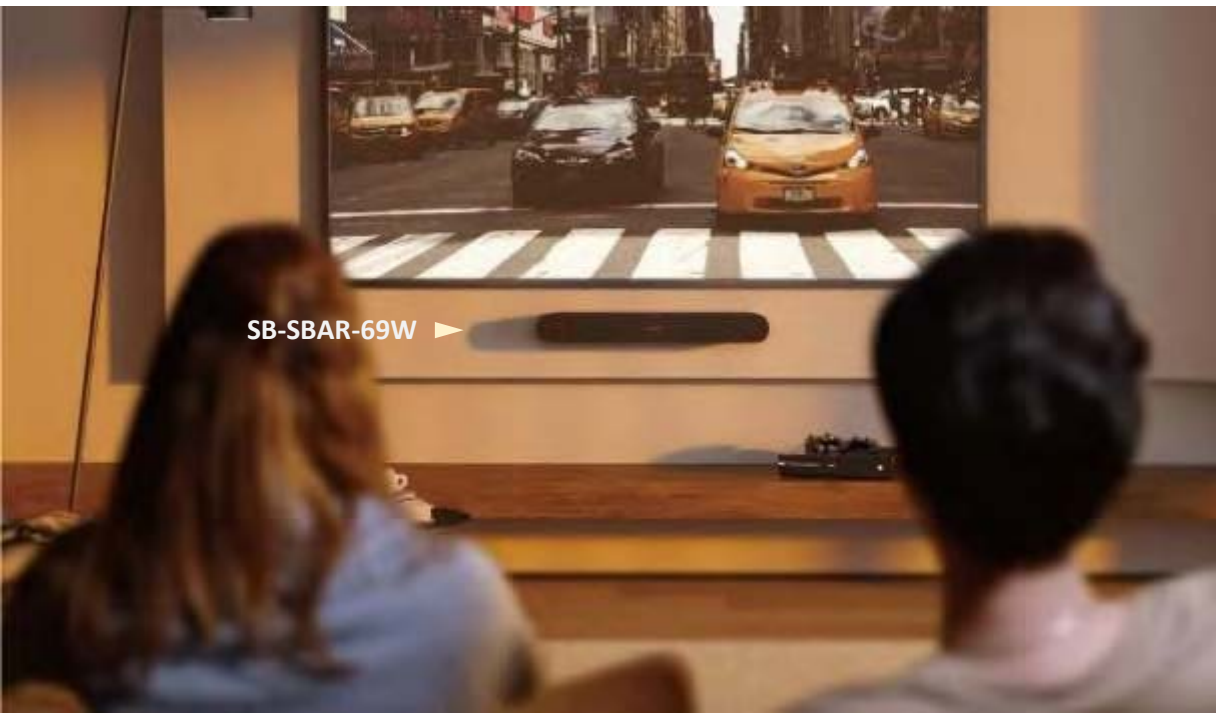
Curve Design
easy to organize cables for a clean look



Optimized Packaging
for the lowest shipping and storage costs



- 1 **Easy Installation**
for exceptional customer experience and positive reviews
- 2 **Protective Pads**
ensure stability and prevent the speaker from scratches



SB-SBAR-69W ▶



SB-SBAR-69
TV-Mounted
(Max. VESA: 600x400)



SB-SBAR-69W
Wall-Mounted

SB-SBAR-69W/SB-SBAR-69

Weight Capacity: 1kg/2.2lbs
Material: Aluminum, Plastic, Steel
Colors:

SB-PM-09 SERIES

TV TOP SHELF WITH LEDGES



Safety Ledges All-Around
prevents devices from falling or accidental drops



Adapts to Most TVs
convenient knob locks the leg into position



Easy Installation
no tools required

SB-PM-09-01



SB-PM-09-02



Weight Capacity: 6kg/13.2lbs

Colors:

SB-TRIPOD -SERIES

LIGHTWEIGHT PORTABLE TRIPOD PROJECTOR STAND



Yard Theater



Office Meeting



Home Theater



Camp Theater



Removable Tray
disassembles for easy storage



Retractable Folding Tripod Legs with Locking Paddles
ideal for transport and storage



Nylon Bag
for convenient to carry the stand on the move

Safety Strap
for holding the device firmly



Tilt Adjustment
for optimal viewing angles



Built-In Bubble Level
ensures proper leveling

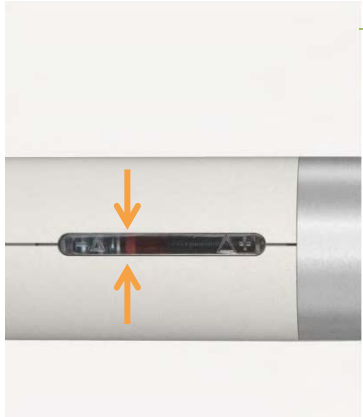
Anti-Skid Feet
ensure stability and prevent the surface from scratches

Desk Top Monitor Arms



SB-MA-FLEXION Series

Premium Aluminum Spring-Assisted Monitor Arms



Tension Indicator
for spring tension alignment
when installing multiple monitors



Built-in Spring Gauge
for perfect weight adjustments



SB-FLX-1U
2 x USB 3.0 Ports



Quick-Release VESA Plate
allows for effortless
installation and removal



Built-In 180° Rotation Stop
for confining the rotation to 180°
by tightening the lower screw,
which prevents interference with
walls or desk partitions



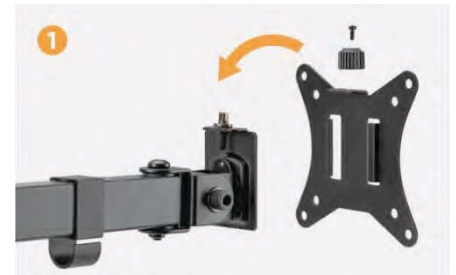
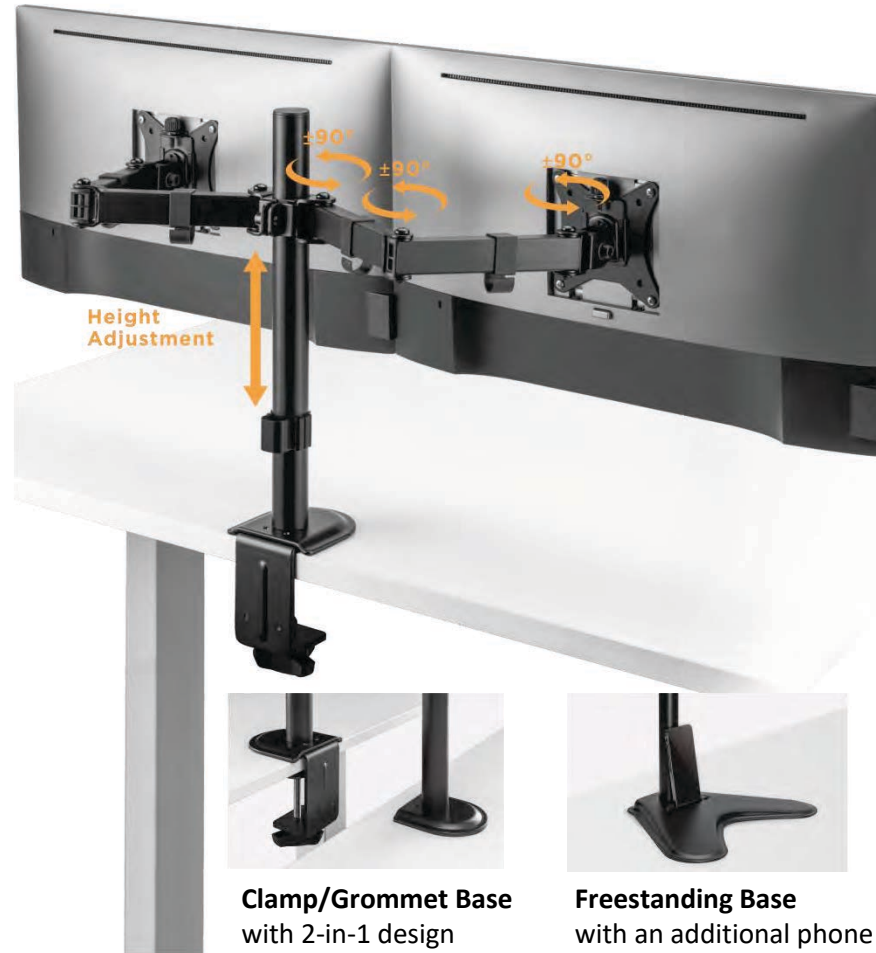
SB-FLX-2U
2 x USB 3.0 Ports

SB-MA-AM Series Classic Steel Articulating Monitor Arm & Stands

From single to quad monitors, the SB-MA-AM Series fits every need.



Tilt Range: +45°~-45°
Swivel Range: +90°~-90°
Screen Rotation: +180°~-180°



Detachable VESA Plate
enables easy monitor installation



Fine-Tuning Height Adjustment
for a nearly seamless side-by-side viewing experience

SB-MA-AM Series

Classic Steel Articulating Monitor Arm & Stands

For Single Monitor and Laptop



Multi-Purpose Device Tray

- **Detachable Design**
easily switch to a dual screen setup
- **Strong Adjustable Claws**
firmly hold different sized devices
- **Silicone Pads**



SB-MA-AMA-ML

Fit Monitor Size: 17"-32"
Weight Capacity: 9kg/19.8lbs
VESA Compatible: 75x75,100x100
Fit Laptop Screen Size: 10"-15.6"
Tilt Range: +45° ~ -45°
Swivel Range: +90° ~ -90°
Screen Rotation: +180° ~ -180°

For Single Monitor

Fit Monitor Size: 17"-32" Weight Capacity: 9kg/19.8lbs



SB-MA-AMA12



SB-MA-AMA12L



SB-MA-AMA-12S



SB-MA-AMS-12

SB-MA-AM Series

Classic Steel Articulating Monitor Arm & Stands

For Dual Monitors

Fit Monitor Size: 17"-32" Weight Capacity: 9kg/19.8lbs



SB-MA-AMA024



SB-MA-AMS024



SB-MA-AMA024V



SB-MA-AMS-024V

For Triple Monitors

Fit Monitor Size: 17"-27" Weight Capacity: 7kg/15.4lbs



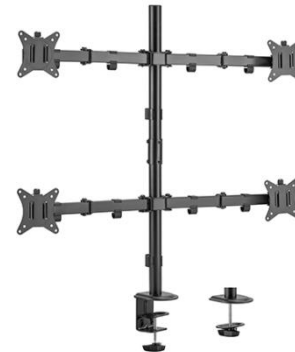
SB-MA-AMA-034



SB-MA-AMS-024

For Quad Monitors

Fit Monitor Size: 17"-32" Weight Capacity: 9kg/19.8lbs



SB-MA-AMA-044



SB-MA-AMS-044

Mobile TV Carts



Mobile TV Carts Cross-Reference

Material	Product Series	Column	Features	Remark
Steel	SB-CART-ST	Single Column	<ol style="list-style-type: none"> 1. TV height adjustable through pin on column: pull the pin on the outer column to adjust the inner column height, safety screws added 2. With DVD tray 3. Weight Capacity: 50KG(110lbs) & Fit Screen Size: 37"-70" 	For office and home use
		Dual Columns	<ol style="list-style-type: none"> 1. TV height adjustable through hole on column: install vesa panel on different height level hole on the column, then screw fixed 2. DVD tray optional 3. Weight Capacity: 50KG(110lbs) & Fit Screen Size: 37"-70" 	
	SB-ST	Single Column	<ol style="list-style-type: none"> 1. TV height adjustable through handle on column: with the handle on outer column to adjust the inner column height, safety screws added 2. With DVD tray 3. Weight Capacity: 50KG(110lbs) & Fit Screen Size: 37"-70" 	For office and home use
		Dual Columns	<ol style="list-style-type: none"> 1. TV height adjustable through pin on column: pull the pin on the outer column to adjust the inner column height, safety screws added 2. With DVD tray or network cabinet 3. Dual Screen design optional 4. Weight Capacity: 40x2-100KG(88x2-220lbs) & Fit Screen Size: 35"-100" 	Sturdy steel base, designed for commercial use
Aluminum	SB-PATVC	Single Column	<ol style="list-style-type: none"> 1. TV height adjustable through slot on column: slide the vesa panel on the column slot, then screw fixed 2. DVD tray optional 3. Weight Capacity: 70KG(154lbs) & Fit Screen Size: 37"-70" 	Ultra modern design, for premium commercial use
		Dual Columns	<ol style="list-style-type: none"> 1. TV height adjustable through slot on column: slide the vesa panel on the column slot, then screw fixed 2. With DVD tray 3. Weight Capacity: 140KG(308lbs) & Fit Screen Size: 70"-120" 	
	SB-SC5086	Four Columns	<ol style="list-style-type: none"> 1. TV height adjustable through double hanging hook, 2 levels height for different needs 2. With DVD tray 3. Weight Capacity: 120KG(264lbs) & Fit Screen Size: 50"-86" 	For heavy duty need, for office or commercial use

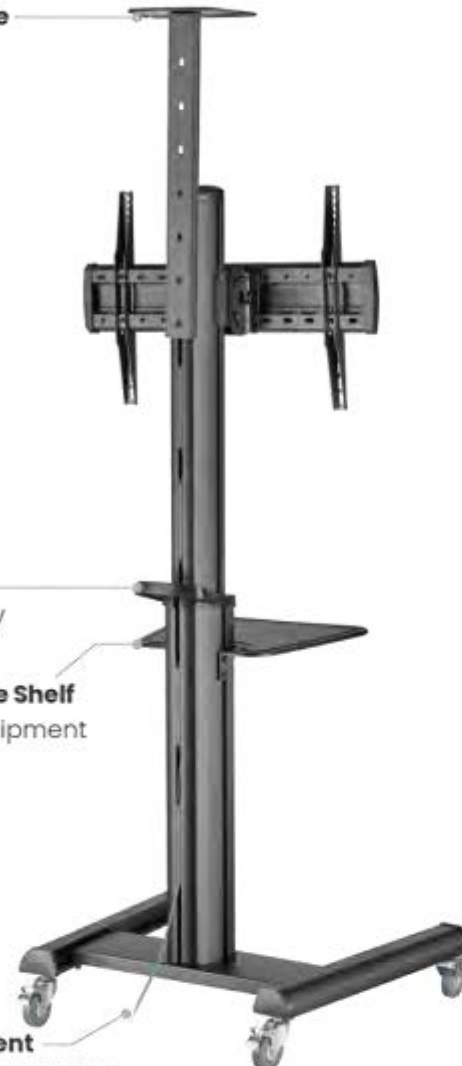
SB-PATVC Series

Premium Aluminum TV Cart

For most 37"-70" TVs up to 70kg/154lbs.



**Height Adjustable
Camera Shelf**



D-Ring Handle
for quick and easy
movement

Height Adjustable Shelf
perfect for AV equipment
and materials

Cable Management
keeps everything organized



**Portrait or
Landscape
Orientation**

**Height
Adjustment**

**+5° ~ -12°
Toolless Tilting**

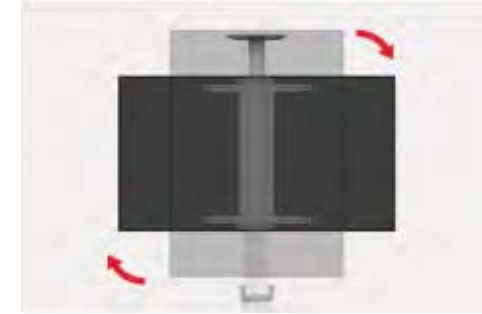
4 Locking Casters
smooth movement &
lock firmly in place

SB-PATVC Series

Ultra-Modern Aluminum TV Carts



Height Adjustment
allows for any desired TV position along the column



Portrait or Landscape Orientation
ideal for TV viewing and presentation use
(for SB-PATVC-46TW only)



SB-PATVC-46TW
For 37"-70" TVs



SB-PATVC-46TW
For 37"-70" TVs



SB-PATVC-610TW
For 70"-120" TVs

SB-SC5086

HEAVY-DUTY STUDIO TV CART

Take Teamwork Anywhere



Fit up to **86"** screen Weight up to **120kg**



Storage Shelf
for supplies such
as pens, sticky
notes, etc.

75mm large casters
ensure the mobility and flexibility.



Adjustable double hook design
strong, durable and easy to install



Height adjustable
2 levels for different needs

SB-SC5086

Screen Size:	50"-86"
Max. VESA Compatible:	800x600
Weight Capacity:	120kg/264lbs

SB-CART-ST Series

VERSATILE & COMPACT STEEL TV CARTS

For most 37"-70" Displays
up to 50kg/110lbs.



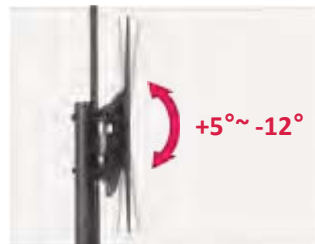
**Height Adjustable
Camera Shelf**

1285/1340/1395/1450mm
(50.6"/52.8"/54.9"/57.1")
Four Height Settings

**Height Adjustable
Equipment Shelf**
perfect for small devices

SB-CART-ST

with Camera & Equipment Shelves



Tool-less Tilting
for the optimal viewing
angle



**Integrated Cable
Management**
for a clean look



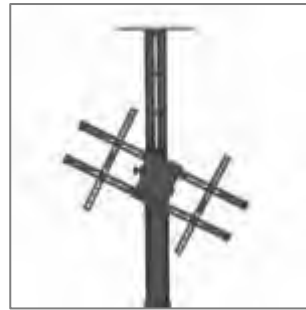
Locking Casters (2 of 4)
ensure mobility and stability



SB-CART-STE

SB-CART-ST Series

Steel Height-Adjustable MobileTV Carts



Horizontal and Landscape Installation meets different viewing needs.



Cable Management creates a clean and neat look.



Equipment and Material Shelf
a solid hold for electric equipment and materials.



Quick-Release Spring Lock
adjusts the height in a snap.

SB-CART-ST46TW
For 37"-70" Flat Panel TVs

SB-ST Series

Steel Height-Adjustable Mobile TV Carts

SB-ST-610TW

For 60"-100" Flat Panel TVs



SB-STC-610TW

For 60"-100" Flat Panel TVs



SB-ST-46TW

For 37"-70" Flat Panel TVs



SB-ST-44TW

For 60"-100" Flat Panel TVs



SB-ST-44TW

For 35"-45" Flat Panel TVs



SB-STC-44TW

For 35"-45" Flat Panel TVs

