

SB-MA Series

Classic Steel Articulating Monitor Arm & Stands

From single to quad monitors, the SB-MA Series fits every need.

SB-MA-AMA024 ▶

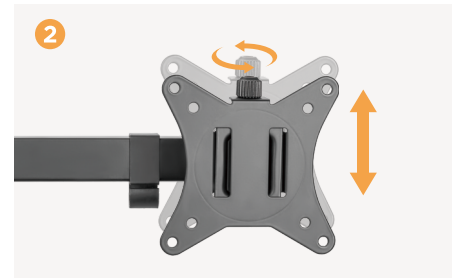
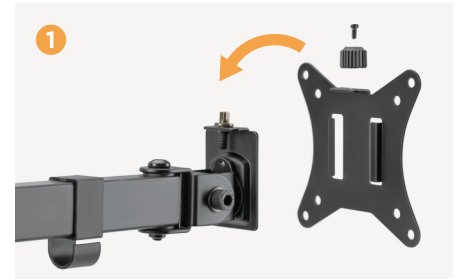
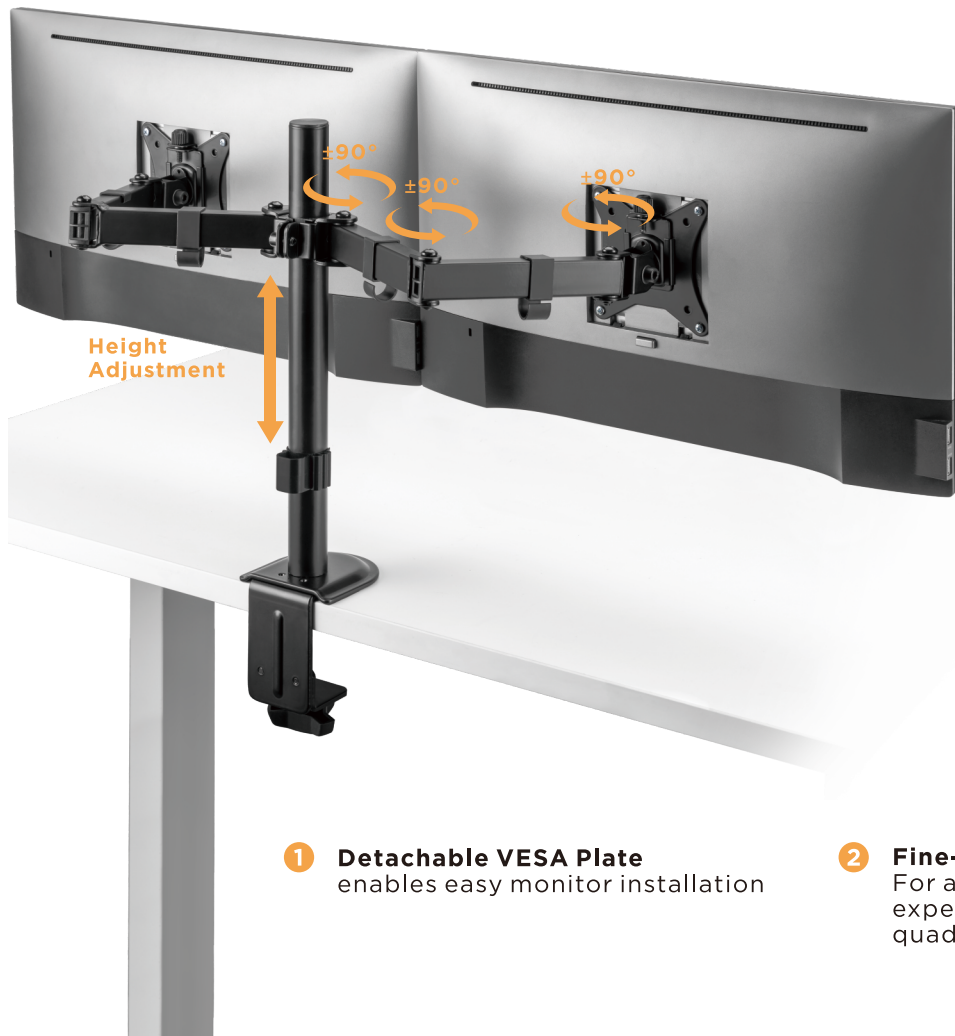


SB-MA-AMS024 ▶



SB-MA Series

Classic Steel Articulating Monitor Arms & Stands



1 Detachable VESA Plate
enables easy monitor installation

2 Fine-Tuning Height Adjustment
For a nearly seamless side-by-side viewing experience (for dual horizontal, triple and quad monitor mounts)

Multiple Mounting Options *for different desk types and user needs*



Freestanding Base
with an additional phone slot



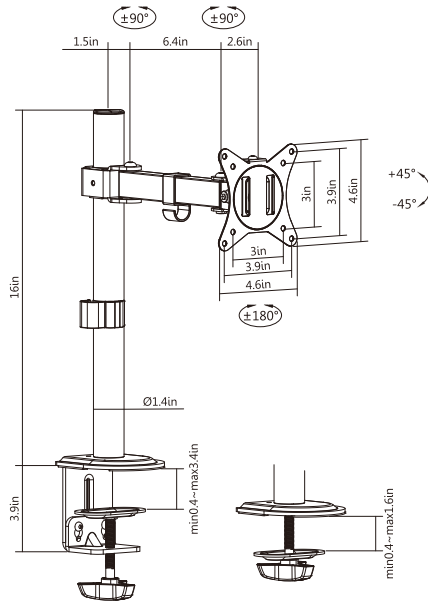
Clamp/Grommet Base
with 2-in-1 design

SB-MA Series Classic Steel Articulating Monitor Arms & Stands

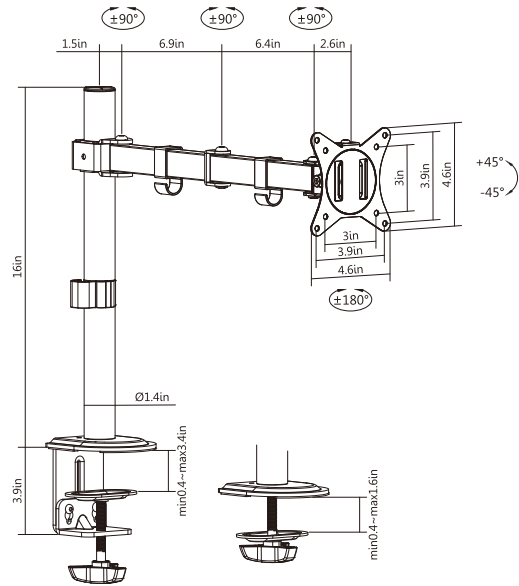


For Single Monitor

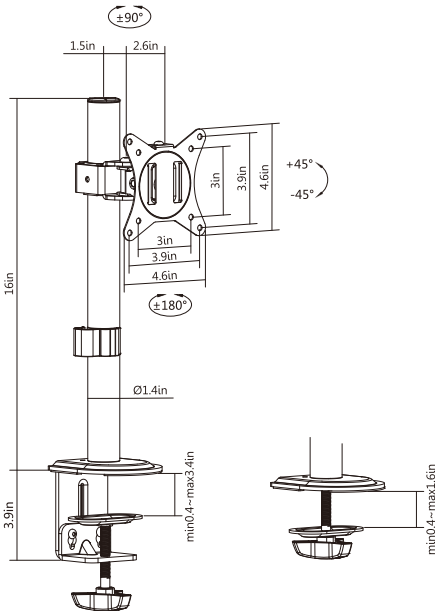
SB-MA-AMA011



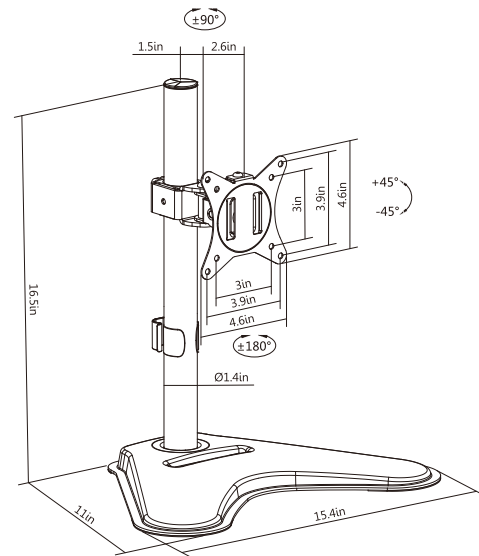
SB-MA-AMA012



SB-MA-AMA01



SB-MA-AMS01



Item No.	SB-MA-AMA011/SB-MA-AMA012/SB-MA-AMA01/SB-MA-AMS01
Fit Screen Size	17"-32"
Weight Capacity	9kg/19.8lbs
VESA Compatible	75x75,100x100
Tilt Range	+45°--45°
Swivel Range	+90°--90°
Screen Rotation	+180°--180°
Material	Steel, Plastic

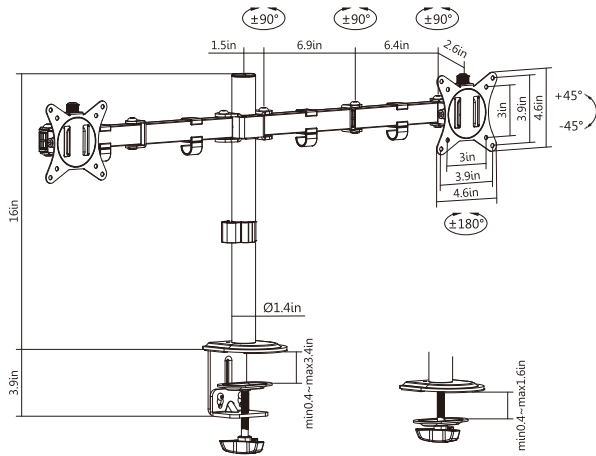
SB-MA Series

Classic Steel Articulating Monitor Arms & Stands

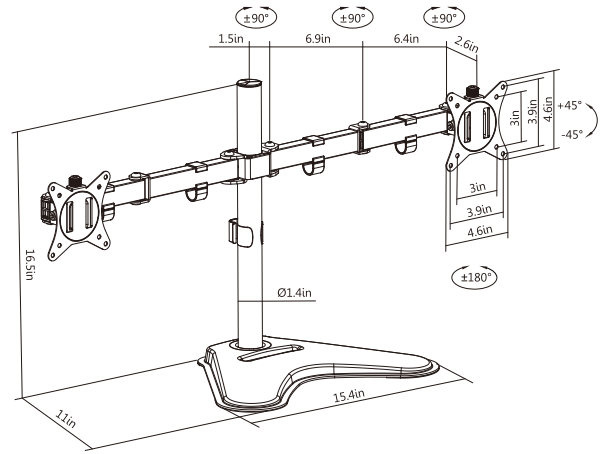


For Dual Monitors

SB-MA-AMA024



SB-MA-AMS024



Item No.	SB-MA-AMA024/SB-MA-AMS024
Fit Screen Size	17"-32"
Weight Capacity	9kg/19.8lbs
VESA Compatible	75x75,100x100
Tilt Range	+45°--45°
Swivel Range	+90°--90°
Screen Rotation	+180°--180°
Material	Steel, Plastic