



SB-MA-FLX-1AL-U&SB-MA-FLX-2AL-U

Premium Slim Aluminum Spring-Assisted Monitor Arms

Featuring **slim arms and outstanding flexibility**, the SB-MA-FLX-1AL-U&SB-MA-FLX-2AL-U Monitor Arms combine great looks and smooth movement resulting in a better work experience. Ideal for applications requiring frequent display adjustments, including financial analysis, creative work and more.

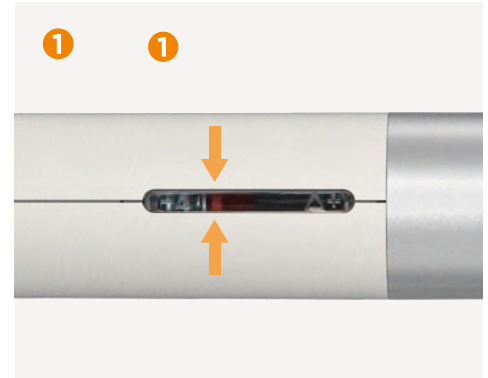


SB-MA-FLX-1AL-U&SB-MA-FLX-2AL-U

Premium Slim Aluminum Spring-Assisted Monitor Arms



2 x USB 3.0 Ports



Attention to Details

- 1 Tension Indicator**
designed for spring tension alignment when installing multiple monitors
- 2 Built-in Spring Gauge**
for perfect weight adjustments
- 3 Quick-Release VESA Plate**
allows for effortless installation and removal
- 4 Rotation Stop**
selectable 180°/360° movement to avoid hitting walls or partitions

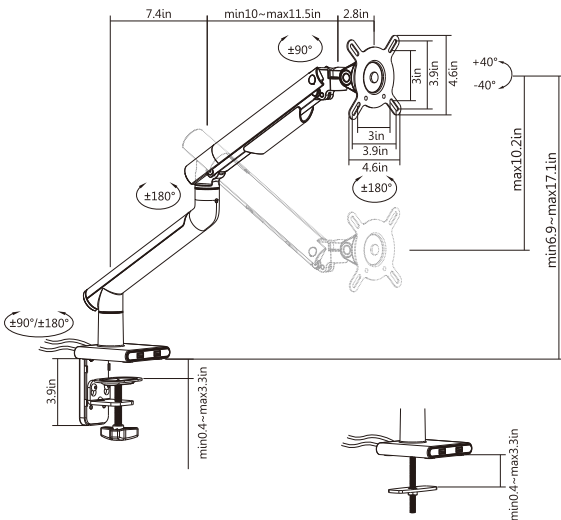
SB-MA-FLX-1AL-U&SB-MA-FLX-2AL-U

Premium Slim Aluminum Spring-Assisted Monitor Arms



Single Monitor

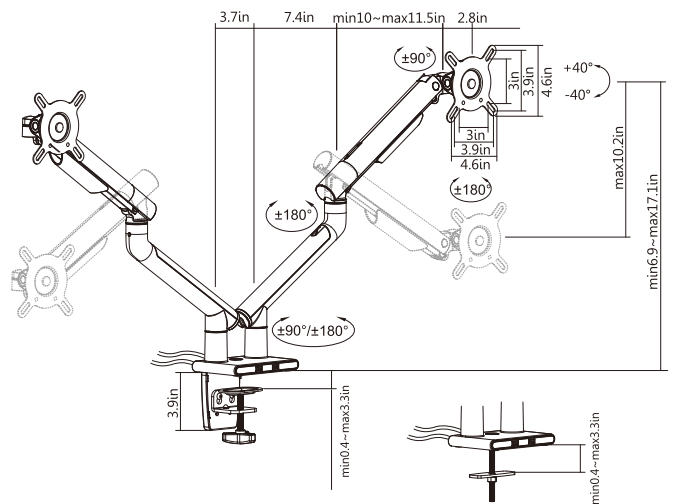
SB-MA-FLX-1AL-U 2 x USB 3.0 Ports



Colors:

Dual Monitor

SB-MA-FLX-2AL-U 2 x USB 3.0 Ports



| Item No. | SB-MA-FLX-1AL-U/SB-MA-FLX-2AL-U |
|-----------------------------|---------------------------------|
| Screen Size | 17"-32" |
| Weight Capacity(per screen) | 2-9kg/4.4-19.8lbs |
| VESA Compatible | 75x75, 100x100 |
| Tilt Range | +40°--40° |
| Swivel Range | +90°--90° |
| Screen Rotation | +180°--180° |
| Material | Aluminum, Steel, Plastic |