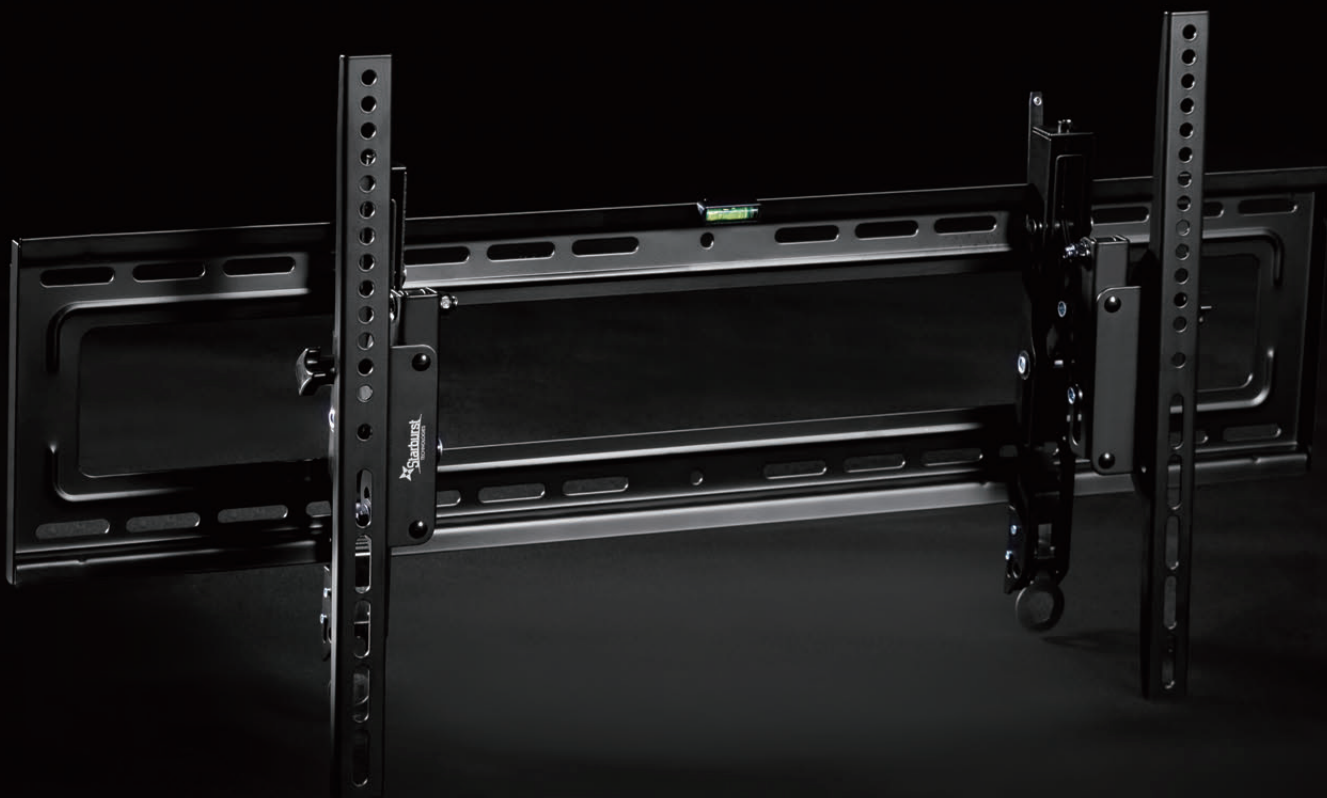


# STARBURST TECHNOLOGIES ADVANCED EXTENSION TILT 43-90" TV Mount SB-4390WMT-EXT



PROVIDES THE  
ULTIMATE FLEXIBILITY  
FOR VIEWING CONVENIENCE

## WHY STARBURST?

Starburst Technologies (Starburst) TV-DISPLAY Wall Mounts offer an unbeatable combination of quality and a cost effective price point. Each mount has been designed to work not only in the home, but also in a more demanding Commercial environment.

### Company Info:

Founded in 1985, Starburst Technologies (Starburst), a division of PDI Communications Inc, is a full- service design, engineering & manufacturing operation. All Starburst Mounts are formally UL Listed, easy and safe to install. Our Starburst mounts can be found in major hotels, resorts, convention centers, airports, cruise ships, arenas, stadiums, theme parks, and residential homes.

### Contact Us:

For more information about the about the warranty, installation, assembly or use of this product please contact Customer Service at 1-800-242-1606 Monday- Friday 9am-5pm EST or EST or [sales@starburstmounts.com](mailto:sales@starburstmounts.com)



# EXTENDS FOR MAXIMUM VIEWING ENJOYMENT

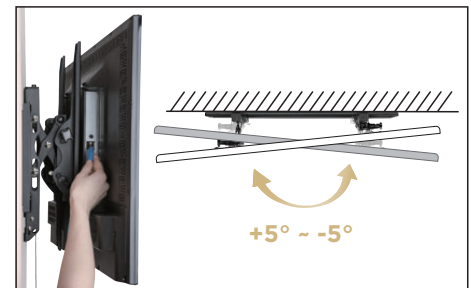
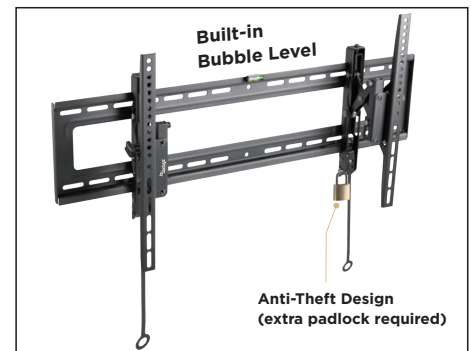


## ADVANCED EXTENSION TILT - TV WALL MOUNT

The Starburst Technologies SB-4390WMT-EXT Advanced Extension Tilt TV Wall Mount fits most 43-90" TVs up to 154 pounds. Special features include maximum tilt for large TVs and easy cable access. Large TVs installed on traditional tilt mounts often hit the wall below the TV, limiting the max tilt range. The SB-4390WMT-EXT extends from the wall 5.3", giving you the max tilt possible for your large TV. The 5.3" extension and 5 degrees of swivel also provide easy access to cables & media boxes without removing the TV from the wall. Includes a 5-year limited warranty. UL Certified.

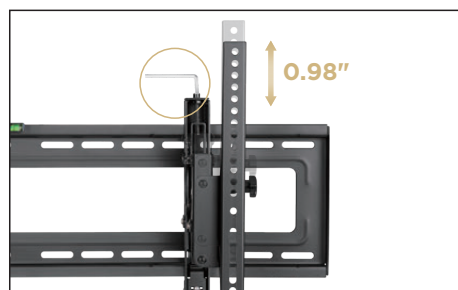
### Features:

- Fits most 43-90" TVs
- 5.3" extension from the wall for easy maintenance & flexible viewing angle
- Toolless Tilt Knob: firmly holds TV in position
- Anti-Theft Lockable Design (padlock required)
- Quick Release SPRING LOCK: easy attachment of TV Bracket to Wall Bracket
- Micro Leveling Screws for perfectly leveling the TV
- Cable Management
- Eco-Friendly No Styrofoam packaging



### Special Swivel Ability

supports flexible viewing angle and enough space for maintenance.



**Level Micro-Adjustment**  
ensures perfect positioning.

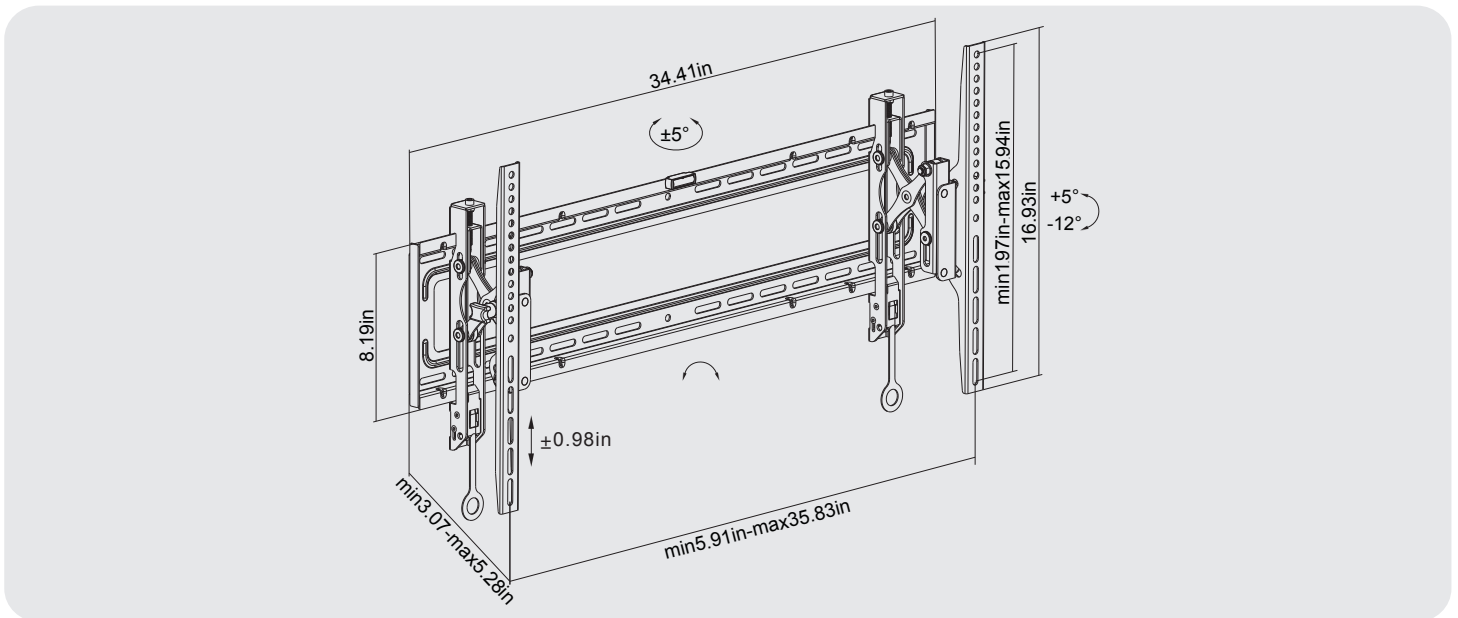
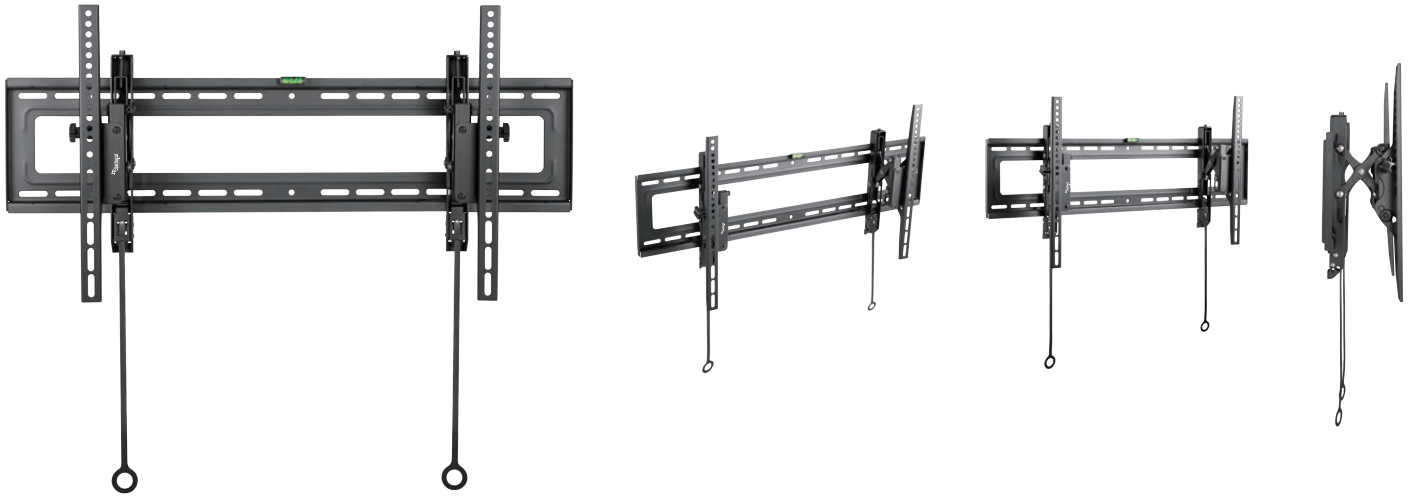


**Easy-Grip Knobs**  
for quick tilt and lock.



**Open Architecture**  
provides increased ventilation  
and easier access to wires.

# STARBURST TECHNOLOGIES ADVANCED EXTENSION TILT 43-90" TV Mount SB-4390WMT-EXT



## SPECIFICATIONS:

UPC CODE	TV Size Range	Mounting Profile	Extension Range	MAX Weight Capacity	MAX VESA	TILT RANGE
850003493206	43-90"	3.1"	5.3"	154 lbs 4 Times Strength Tested	800x400	+5 / -12 degrees
Swivel Range	Mounting Pattern (Universal VESA)	Post Install Screen Level Adjustment	Hardware Kit	UL LISTED	Warranty	
+5 / -5 degrees	200x200, 300x200, 300x300 400x200, 400x300, 400x400 600x400, 800x400	+1" / -1"	Included	UL LISTED	5 Years	

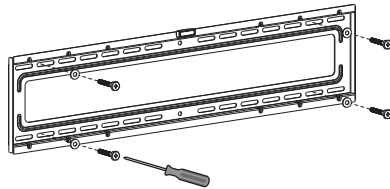
## UNIT DIMENSIONS:

Product Width Left to Right	Product Height Top to Bottom	Product Depth Min	Product Depth Max	QTY/CARTON	DIMENSIONS OF CARTON BOX	Carton Weight
34.4"	16.9"	3.1"	5.3"	1 PC/CTN	37.25x9.5x4.5"	14 lbs

# STARBURST TECHNOLOGIES ADVANCED EXTENSION TILT 43-90" TV Mount SB-4390WMT-EXT

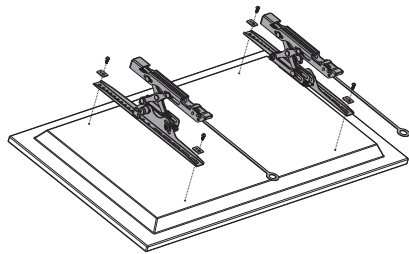


## EASY INSTALLATION



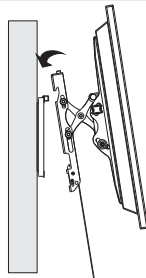
### STEP 1

- Locate the studs using a stud finder.
- Use HOLE TEMPLATE for positioning of the holes.
- Confirm the exact location, drill and secure the wall plate.



### STEP 2

- Attach mount arms to the TV.
- Adjust TV mount arms to line up with the TV's mounting holes.
- Use the appropriate screws from included screw kit.



### STEP 3

- Hang the TV onto the wall plate.
- Use included level to insure perfect position.

## Starburst Technologies®

a division of PDI Communications Inc.

6353 W Rogers Circle, #6

Boca Raton, FL 33487

YOUTUBE Installation Video: <https://youtu.be/6DdqZpYkrMg>

Email: [sales@starburstmounts.com](mailto:sales@starburstmounts.com)

TF: 800-242-1606

Web: [www.starburstmounts.com](http://www.starburstmounts.com)

©2019 Starburst Technologies

All rights reserved.



Visit our YouTube  
channel for installation  
videos via QR code

