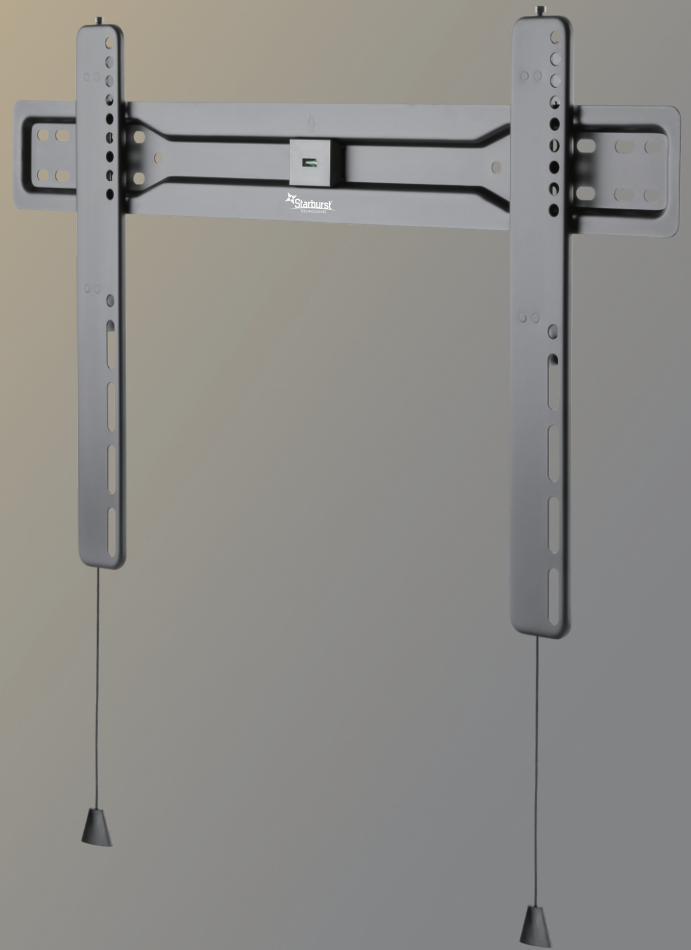


# SB-3770US ULTRA-SLIM TV Wall Mount For 37-70" Displays



## WHY STARBURST?

Starburst Technologies (Starburst) TV-DISPLAY Wall Mounts offer an unbeatable combination of quality and cost effective price point. Each mount has been designed to work not only in the home, but also in a more demanding Commercial-hospitality environment.



**Fine-Tuning Level Adjustment**  
allows for easy post-installation positioning.

The diagram shows a hand adjusting a vertical screw on the side rail of the TV mount. A double-headed vertical arrow indicates the range of adjustment, labeled as "± 8mm/0.3\"/>

**Smooth Lateral Shift**  
slides L/R to solve off-center studs for perfect TV placement.

The diagram shows the side rails of the TV mount sliding horizontally along a track. A double-headed horizontal arrow indicates the range of movement.

**Quick-Release Spring Lock**  
locks and releases the TV in a snap.

The diagram shows a close-up of the spring lock mechanism on the side rail, which is used to secure the TV to the mount.

### CONTACT:

**Starburst Technologies®**  
a division of PDI Communications Inc.

6353 W Rogers Circle #6, Boca Raton, FL 33487  
TF: 800-242-1606  
Email: sales@starburstmounts.com  
Web: www.starburstmounts.com

©2019 Starburst Technologies All rights reserved.

### STARBURST TECHNOLOGIES:

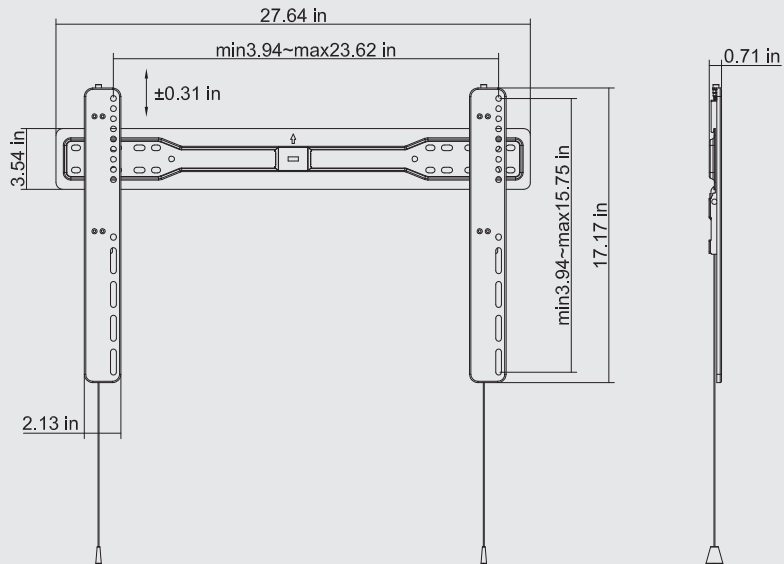
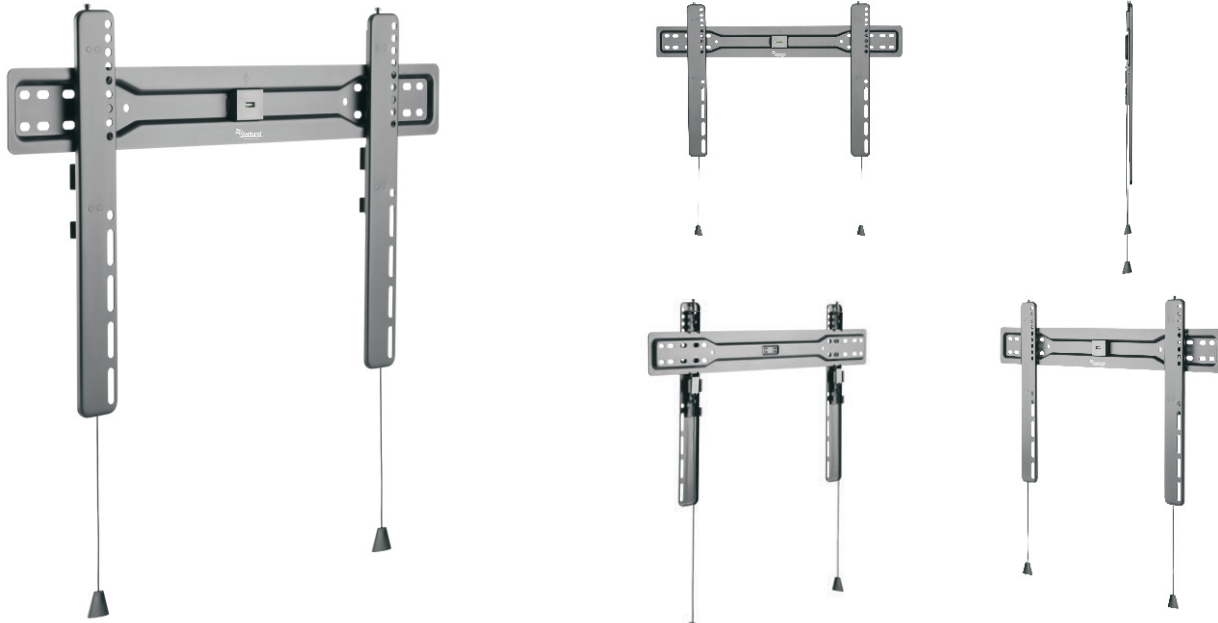
**Empowering Communication Networks  
since 1986**

Starburst Technologies (a division of PDI Communications Inc) is a full service design, engineering and manufacturing operation specializing in HD-TV components.

<https://starburstmounts.com/pages/why-starburst>  
<https://prezi.com/view/zDnpErebTKb2Vjvi9HMh/>



# SB-3770US ULTRA-SLIM TV Wall Mount For 37-70" Displays



## Specifications

Screen Size	Weight Capacity	VESA	Profile to Wall	Strength Tested
37"-70"	35 kg / 77 lbs	200x200 300x200 300x300 400x200 400x300 400x400 600x400	18mm/0.7"	Four Times

## Packing Information

Single Unit [inch]	Master Carton [inch]	QTY/Carton	Weights [lbs]	QTY 20' CONTAINER	QTY 40' CONTAINER
30.1"x7.3"x2.2"	30.7"x15.4"x7.3"	6.0 PCS	5 lbs single / 33 lbs carton	2874 PCS	5964 PCS

Units are packaged in a professional quality box that include all of the necessary installation hardware and easy to follow instructions.

10152019