

# SB-3760ART

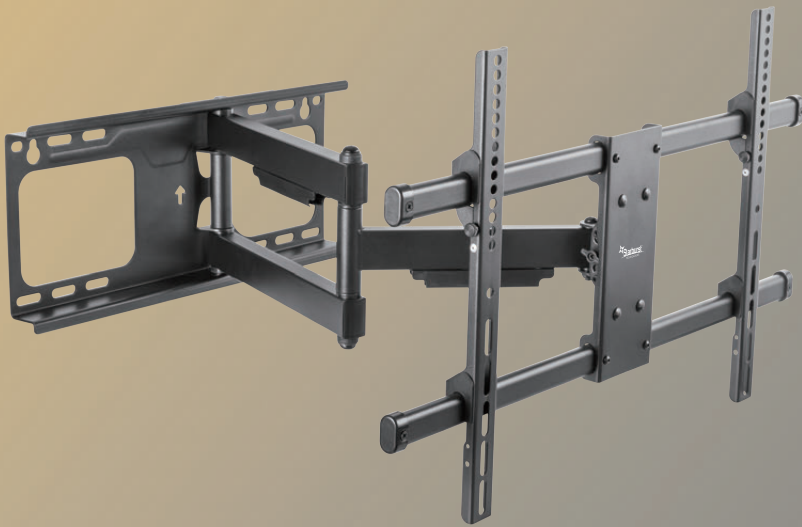
## Swivel Tilt Extend

### Full Motion Heavy Duty TV Wall Mount For 37-60" Displays

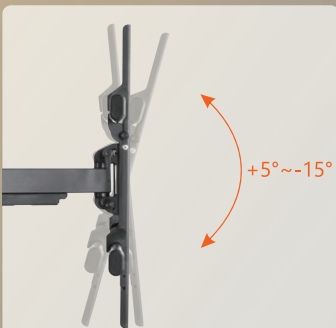


## WHY STARBURST?

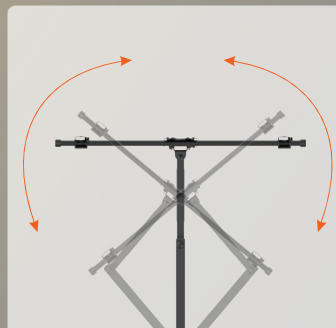
Starburst Technologies (Starburst) TV-DISPLAY Wall Mounts offer an unbeatable combination of quality and cost effective price point. Each mount has been designed to work not only in the home, but also in a more demanding Commercial-hospitality environment.



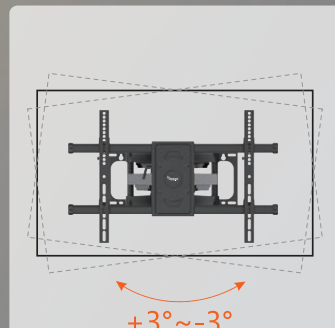
Quick lock and release system holds TV in place with no tools required



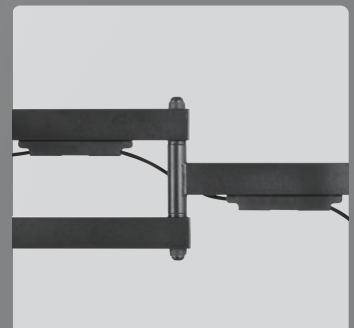
EASY TILT option allows TV angle adjustment



Swiveling arm offer maximum viewing flexibility



Built-in level adjustment ensures perfect positioning



Integrated cable management keeps cables neatly organized

### CONTACT:

**Starburst Technologies®**  
a division of PDI Communications Inc.

6353 W Rogers Circle #6, Boca Raton, FL 33487

TF: 800-242-1606

Email: [sales@starburstmounts.com](mailto:sales@starburstmounts.com)

Web: [www.starburstmounts.com](http://www.starburstmounts.com)

©2019 Starburst Technologies All rights reserved.

### STARBURST TECHNOLOGIES:

**Empowering Communication Networks  
since 1986**

Starburst Technologies (a division of PDI Communications Inc) is a full service design, engineering and manufacturing operation specializing in HD-TV components.

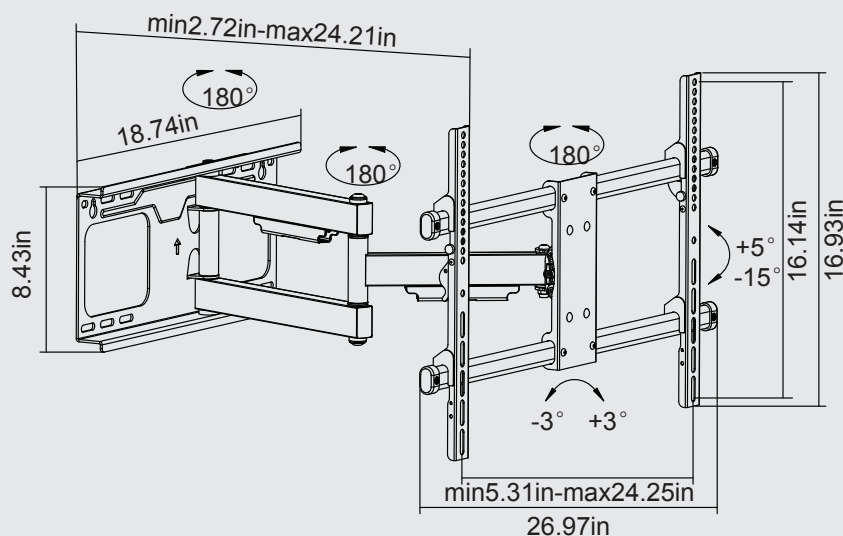
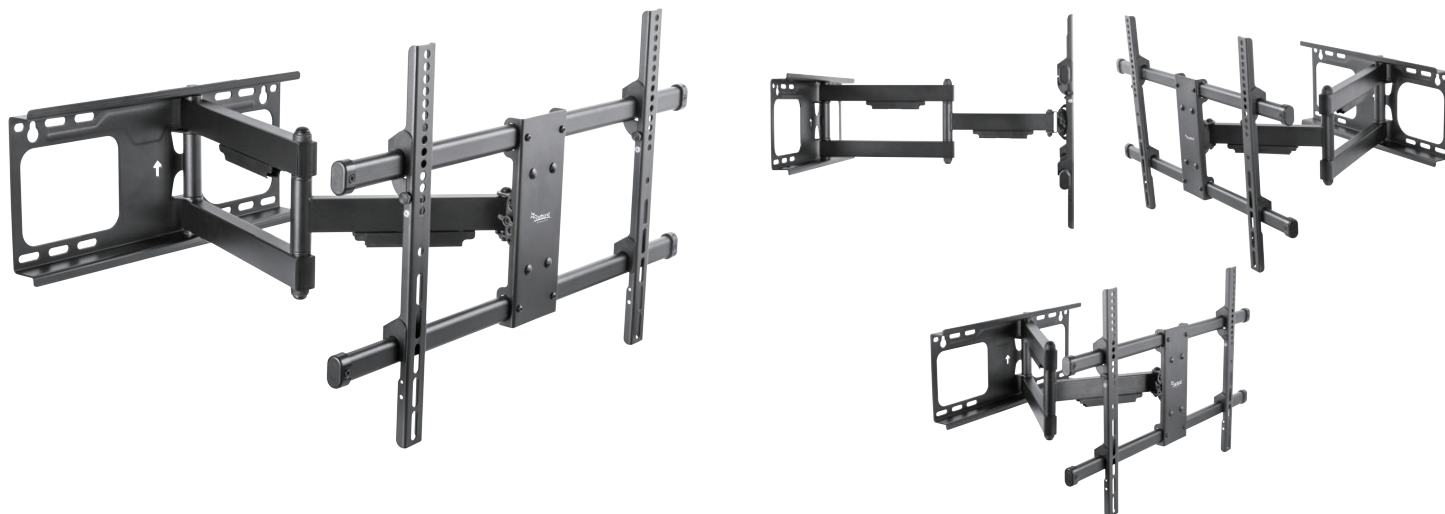
<https://starburstmounts.com/pages/why-starburst>  
<https://prezi.com/view/zDnpErebTKb2Vjvi9HMh/>



**SB-3760ART**

# Swivel Tilt Extend

Full Motion Heavy Duty TV Wall Mount  
For 37-60" Displays



## Specifications

Screen Size	Weight Capacity	VESA	Profile to Wall	Swivel Range	Strength Tested
37"-60"	50 kg / 110 lbs	200x200 300x300 400x200 400x400 600x400	69-615mm/2.7-24.2"	+90° ~ -90°	Four Times

## Packing Information

Single Unit [inch]	Master Carton [inch]	QTY/Carton	Weights [lbs]	QTY 20' CONTAINER	QTY 40' CONTAINER
28.3"x11.3"x2.9"	28.9"x12"x6.3"	2.0 PCS	17 lbs single / 35 lbs carton	1504 PCS	3118 PCS

Units are packaged in a professional quality box that include all of the necessary installation hardware and easy to follow instructions.

10152019