

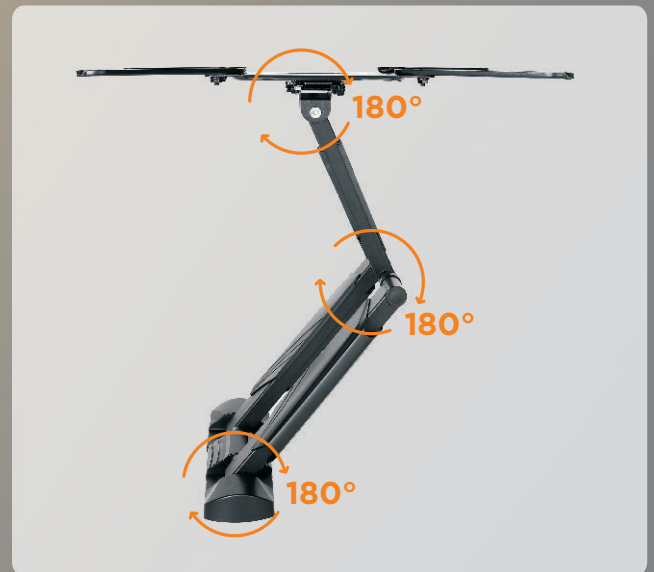
# SB-3250ART-D

# Swivel Tilt Extend Dual Arm TV Wall Mount

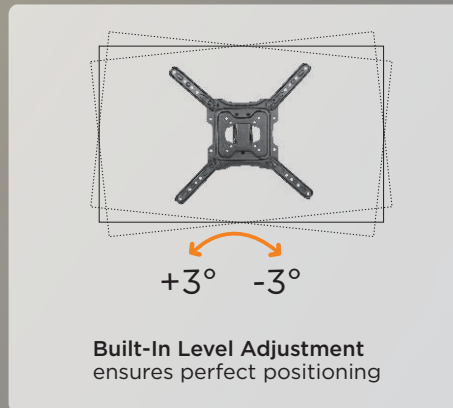


## WHY STARBURST?

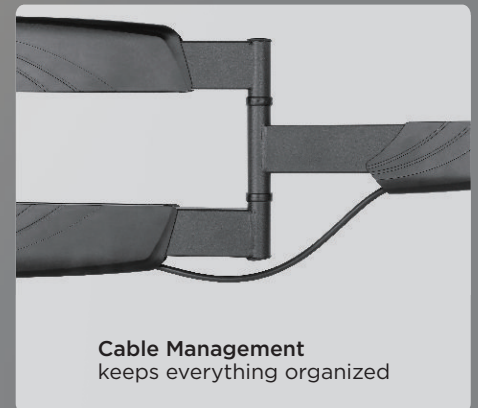
Starburst Technologies (Starburst) TV-DISPLAY Wall Mounts offer an unbeatable combination of quality and cost effective price point. Each mount has been designed to work not only in the home, but also in a more demanding Commercial-hospitality environment.



**Free-Tilting Design**  
for multiple monitor viewing angles



**Built-In Level Adjustment**  
ensures perfect positioning



**Cable Management**  
keeps everything organized

### CONTACT:

**Starburst Technologies®**  
a division of PDI Communications Inc.

6353 W Rogers Circle #6, Boca Raton, FL 33487  
TF: 800-242-1606  
Email: sales@starburstmounts.com  
Web: www.starburstmounts.com

©2019 Starburst Technologies All rights reserved.

### STARBURST TECHNOLOGIES:

**Empowering Communication Networks  
since 1986**

Starburst Technologies (a division of PDI Communications Inc) is a full service design, engineering and manufacturing operation specializing in HD-TV components.

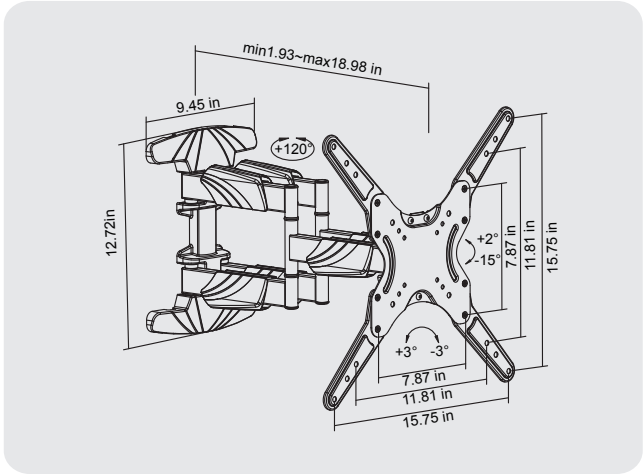
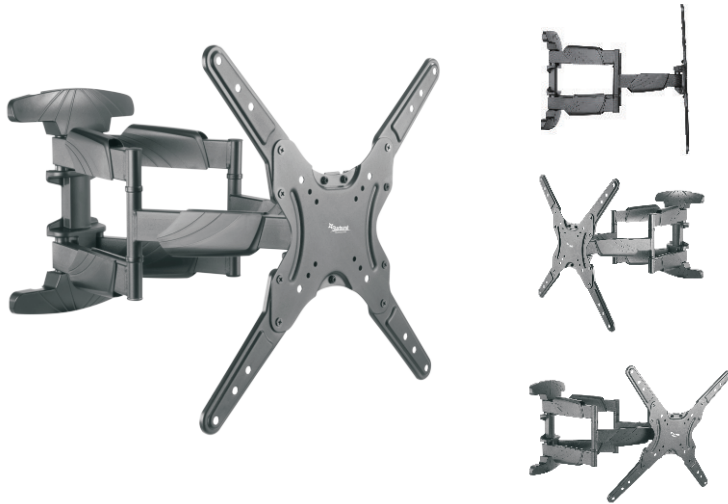
<https://starburstmounts.com/pages/why-starburst>  
<https://prezi.com/view/zDnpErebTKb2Vjvi9HMh/>

# SB-3250ART-D

## Swivel Tilt Extend Dual Arm TV Wall Mount



**SB-3250ART-D**



### Specifications

Screen Size	Weight Capacity	VESA	Profile to Wall	Swivel Range	Strength Tested
32"-50"	32kg / 70 lbs	200x100 200x200 400x200 300x300 400x300 400x400	49-482mm/1.9-19"	+60° - -60°	Four Times

Units are packaged in a professional quality box that include all of the necessary installation hardware and easy to follow instructions.