



**CONTACT:**

**Starburst Technologies®**  
a division of PDI Communications Inc.

6353 W Rogers Circle #6, Boca Raton, FL 33487  
TF: 800-242-1606  
Email: support@starburstmounts.com  
Web: www.starburstmounts.com

©2024 Starburst Technologies All rights reserved.

**STARBURST TECHNOLOGIES:**  
**Empowering Communication Networks**  
**since 1986**

Starburst Technologies (a division of PDI Communications Inc) is a full service design, engineering and manufacturing operation specializing in Ergonomic TV Mounting Solution.



a division of PDI Communications Inc.

**PROFESSIONAL**  
**PRO AV SOLUTIONS**

[www.starburstmounts.com](http://www.starburstmounts.com)

Empowering Communication Networks Since 1986

# ABOUT US

---

## Starburst Technologies

Starburst Technologies (Starburst), a division of PDI Communications Inc (PDI), is a full-service design, engineering and manufacturing operation specializing in Professional TV Mounting Solutions.

## We are your Commercial TV Experts!

Parent company, PDI Communications Inc (PDI), has over 38 years committed to the Commercial Television marketplace. From CABLE TV PIONEER (founder started in CATV in 1968) to DIRECTV MSO with over 150,000 hotel rooms within its DIRECTV portfolio to becoming the largest SAMSUNG Hospitality TV Channel Partner in the USA with over \$150 mill sold.

## Experience You Can Trust

Our Starburst TV Wall Mounts can be found in Hotels, Resorts, Convention Centers, Airports, Cruise Ships, Theme Parks, Arenas, Stadiums, and High-End homes. When you factor in our Commercial grade quality, long-standing track record and cost-effective price point, Starburst TV Mounts make an excellent choice for your next project.

# WHY STARBURST

---



### TRACK RECORD

Over 38 years in business! We are experts in all things related to TV



### SUPPORT

All Starburst Mounts are supported by CAD drawings, detailed Instruction Manuals, fantastic spec brochures, animated Installation Videos on & expert call center technical support.



### FIVE STAR QUALITY –BETTER PRICE POINT!

Engineered to compete spec-for-spec with top-end brands but at a more cost-effective price point. All key models have formal UL Listing.

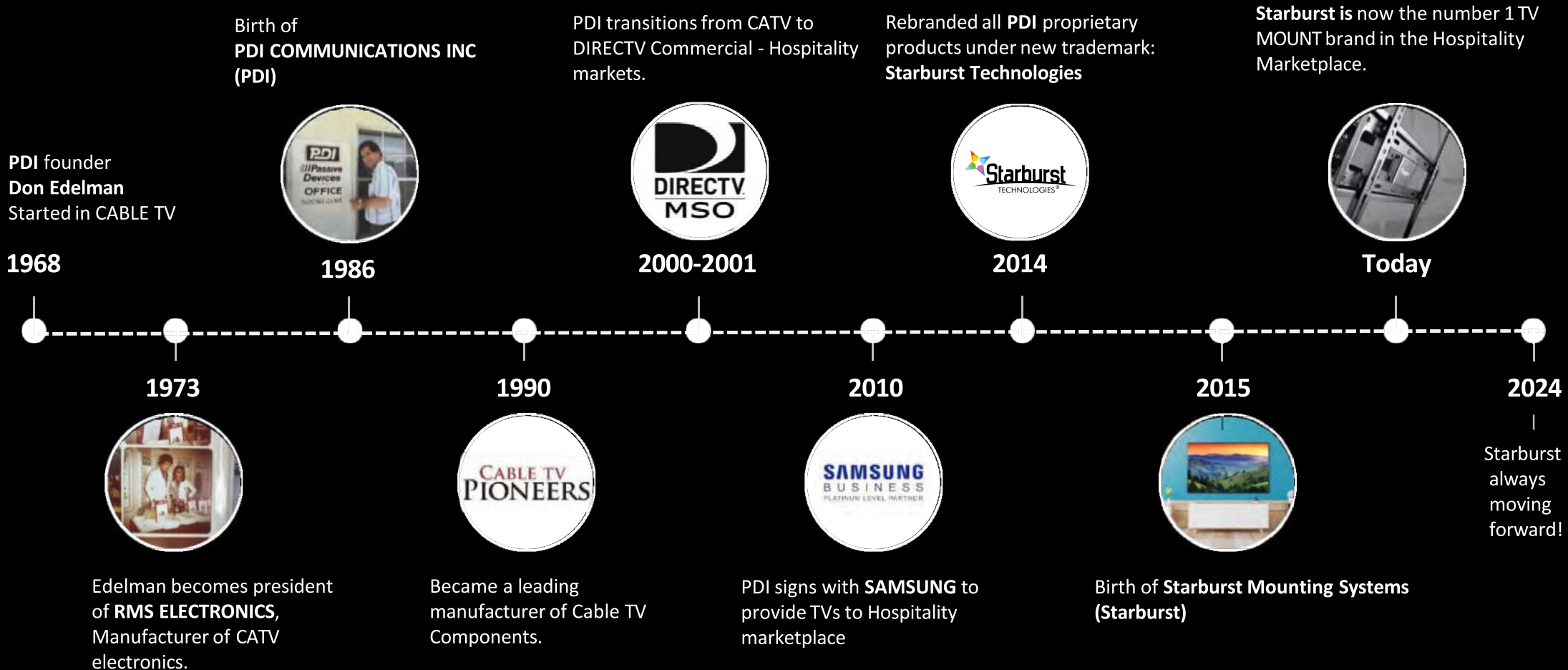


### REAL TIME DIGITAL E COM FULFILLMENT



### 5 YEAR WARRANTY

# STARBURST STORY



# CONTENTS

---

- Projector Mounts ..... 01**
- Menu Boards ..... 04**
- TV Ceiling Mounts ..... 09**
- Video Wall Mounts ..... 15**
- Out Door TV Mounts ..... 21**
- Fireplace TV Mounts ..... 24**
- Powered TV Mounts ..... 27**
- DIY TV Lifts ..... 30**
- TV Bezels ..... 33**
- Soundbar - Media Player Mounts ..... 35**
- Desk Top Monitor Arms ..... 43**
- Mobile TV Carts ..... 48**

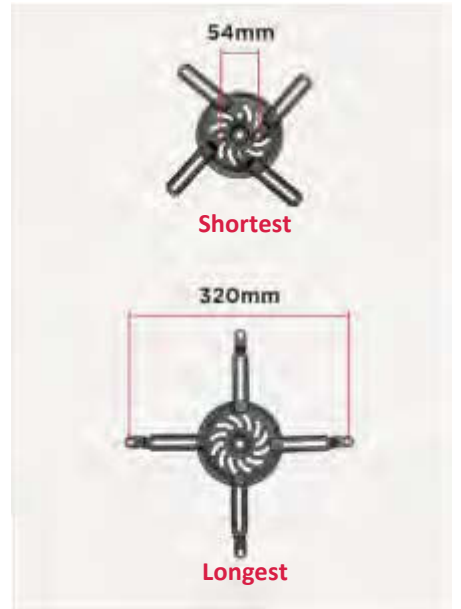
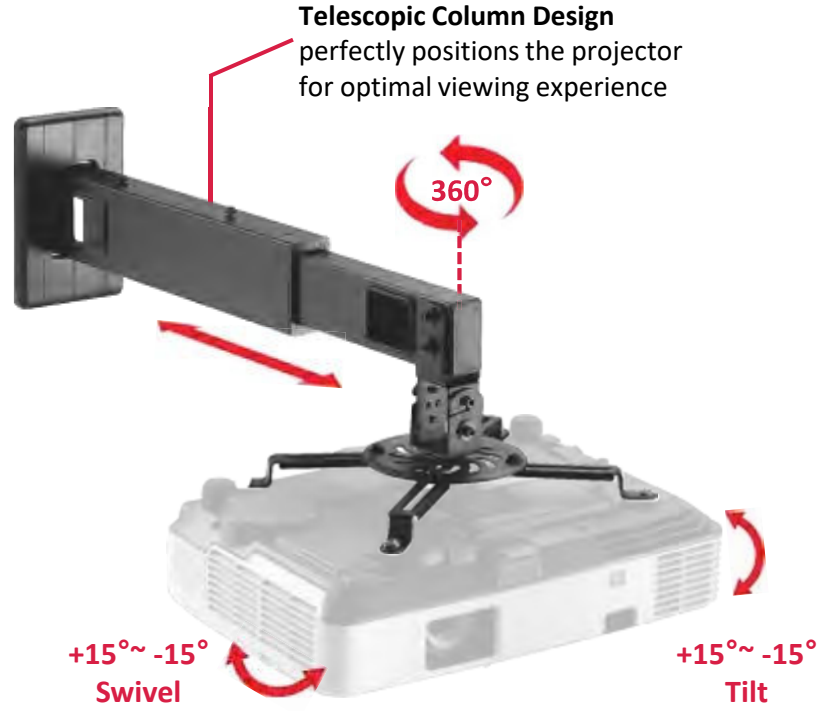
# Projector Mounts



SB-PM SERIES

STEEL SHORT THROW PROJECTOR MOUNTS

- Ensure proper operation and picture quality
- Provide a wide range of adjustability and movement with easy installation



Adjustable Support Arms fit most short throw projectors

SB-PM21M



SB-PM21L



Integrated Cable Management keeps a neat and clean appearance

## SB-PCM Series

# Heavy-Duty Projector Ceiling Mounts

### For Flat or Pitched Ceiling



SB-PCM-01S



SB-PCM-01M



SB-PCM-01L

### For Flat Ceiling



SB-PM-02S



SB-PCM-02M



SB-PCM-02L

Color: ● ○

# Menu Boards

Midway Airport (MDW)						Midway Airport (MDW)					
Departing To	Airline	Flight	Sched	Gate	Remark	Departing To	Airline	Flight	Sched	Gate	Remark
Akron/Canton, OH	DELTA	1571	9:09p	B6	on time	Augusta, GA	DELTA	1451	7:14p	C41	on time
Akron/Canton, OH	DELTA	1147	5:52p	C46	on time	Austin, TX	DELTA	2471	2:11p	B25	at 2:26p
Akron/Canton, OH	DELTA	1200	3:29p	B28	on time	Austin, TX	DELTA	690	4:10p	A31	on time
Akron/Canton, OH	Southwest	1194	4:30p	C15	on time	Austin, TX	DELTA	1837	9:48p	D5	on time
Akron/Canton, OH	Southwest	2616	10:00p	C21	on time	Austin, TX	FRONTIER	2254	3:10p	C1	on time
Akron/Canton, OH	DELTA	5351	9:10p	D44	on time	Austin, TX	DELTA	1309	8:20p	A20	on time
Albany, GA	DELTA	5335	4:03p	D13	on time	Austin, TX	DELTA	1133	5:30p	F1	on time
Albany, GA	DELTA	5047	3:10p	B9	on time	Austin, TX	DELTA	2413	4:30p	C21	on time
Albany, NY	DELTA	1515	7:16p	C20	on time	Baltimore/Washington	Southwest	2024	7:05p	E18	on time
Albany, NY	Southwest	628	4:30p	E1	on time	Baltimore/Washington	DELTA	715	3:30p	C20	on time
Albany, NY	DELTA	1710	8:15p	C5	on time	Baltimore/Washington	Southwest	880	8:35p	B13	on time
Albuquerque, NM	Southwest	794	3:30p	D13	on time	Baltimore/Washington	DELTA	1824	2:58p	A10	on time
Albuquerque, NM	DELTA	5156	9:01p	D14	on time	Baltimore/Washington	DELTA	1924	9:55p	A27	on time
Alexandria, LA	DELTA	5155	4:08p	D14	at 3:07p	Baltimore/Washington	DELTA	252	5:10p	C4	at 4:56p
Alexandria, LA	DELTA	5257	2:57p	D31	on time	Baltimore/Washington	Southwest	468	4:35p	C6	at 4:30p
Allentown, PA	KLM	622	11:40p	E10	on time	Baltimore/Washington	DELTA	1525	4:21p	B6	on time
Amsterdam	DELTA	074	9:06p	D14	at 3:10p	Baltimore/Washington	DELTA	730	8:35p	C20	on time
Amsterdam	DELTA	5323	3:01p	D14	on time	Baltimore/Washington	Southwest	5247	9:49p	D31	on time
Appleton, WI	DELTA	2562	7:25p	C43	on time	Baton Rouge, LA	DELTA	5137	6:55p	D15	on time
Appleton, WI	DELTA	5189	4:44p	C30	on time						
Asheville, NC	DELTA	5584	3:00p	C55	on time						
Asheville, NC	DELTA	2582	8:46p	C34	on time						
Allentown, PA	DELTA	072	6:34p	F6	on time						
Amsterdam	DELTA	622	11:40p	E10	on time						
Amsterdam	KLM	074	9:06p	E10	at 3:10p						
Amsterdam	DELTA	5323	3:01p	D14	on time						
Amsterdam	DELTA	2562	7:25p	C43	on time						
Appleton, WI	DELTA	5189	4:44p	C30	on time						
Appleton, WI	DELTA	5584	3:00p	C55	on time						
Asheville, NC	DELTA	5292	10:50p	D16	on time						
Asheville, NC	DELTA	5292	10:50p	D16	on time						
Asheville, NC	DELTA	5292	10:50p	B3	on time						



## SB-MB Series

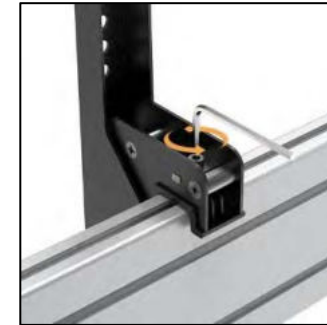
# Modular Menu Board Wall Mount (Popular Solutions)



**Ample Tilting with Safety Pin**  
secures viewing position



**Anti-Theft Design**  
(padlock required)



**Level Adjustment**



**Cable Management**



**SB-MB-24**

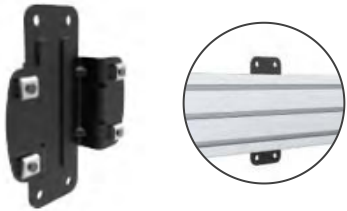


**SB-MB-34**

# SB-MB Series

## Modular Menu Board Wall Mount (Customizable Solutions)

### Step1: Wall Plate



**Wall Plate**  
(SB-W01)

### Step2: Choose Mounting Rail



**700mm**  
(SB-VS02R70)

**1500mm**  
(SB-VS02R150)

**2000mm**  
(SB-VS02R200)

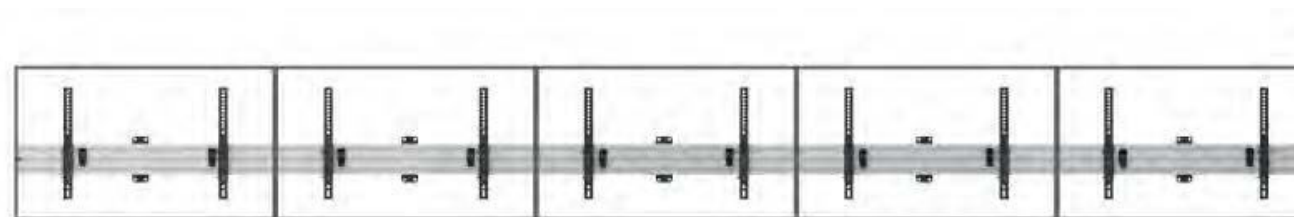
**Multi-Screens Installation**  
use connecting rail to customize  
your own video wall solution

### Step3: Bracket



**Tilt Bracket**  
(SB-BR-40T)

### Example



1x5 Display Solution

# SB-MBC Series

## Modular Menu Board Ceiling Mount (Popular Solutions)



**Ample Tilting with Safety Pin**  
secures viewing position



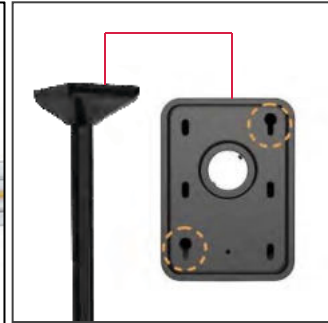
**Anti-Theft Design**  
(padlock required)



**Level Adjustment**  
for perfect alignment



**Cable Management**



**Keyhole Pattern Slot**  
for easy installation



**SB-MB-246TS-02**  
Dual Screen



**SB-MB-C03-246TL-02**  
Dual Screen with Long Pole



**SB-MB-C03-346TS-03**  
Triple Screen



**SB-MB-C03-346TL-03**  
Triple Screen with Long Pole

# SB-MBC Series

## Modular Menu Board Ceiling Mount (Customizable Solutions)

### Step1: Ceiling Plate



Joins a Pole to Ceiling

**Ceiling Plate**  
(SB-VC03-W01)

### Step2: Choose Pole



**1000mm**  
(SB-VC03-C100-2)

**1500mm**  
(SB-VC03-C150-2)

### Step4: Collar & Bracket



**Collar**  
(SB-C-W02)



**Tilt Bracket**  
(SB-40T)

### Step3: Choose Mounting Rail



**700mm(27.5")**  
(end caps & cable clips included)

**1500mm(59.0")**  
(end caps & cable clips included)

**2000mm(78.7")**  
(end caps & cable clips included)

(extension kits included if needed)

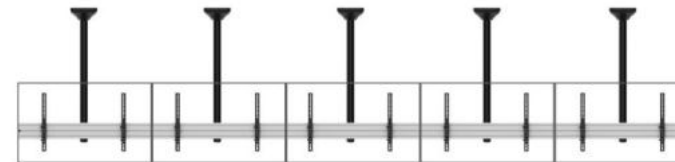
**700mm**  
(SB-02-R70)

**1500mm**  
(SB-02-R150)

**2000mm**  
(SB-02-R200)

**Multi-Screens Installation**  
use connecting rail to customize  
your own video wall solution

### Example



1x5 Display Solution

# TV Ceiling Mounts



# SB-CM Series

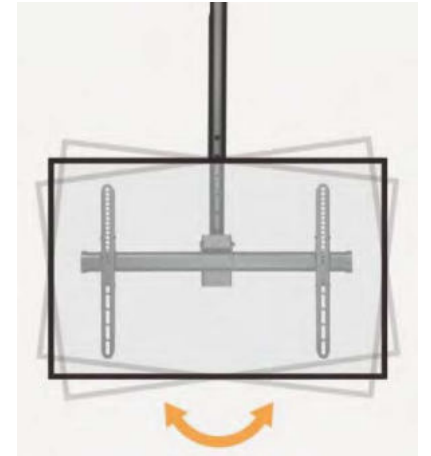
## Heavy-Duty TV Ceiling Mount



**Tiltable Ceiling Plate**  
can be adjusted 60° for use with flat or pitched ceiling



**Telescopic Pole**  
keeps height adjustment quick and easy



**Preset Leveling Adjustment**  
ensures perfect positioning after hanging



**360° Swivel**  
allows easy viewing angle adjustment



**Freely Tilting**  
provides maximum visibility



**Internal Cable Management**  
conceals cables for a clean look

## SB-CM Series

# Heavy-Duty TV Ceiling Mount-For Single Screen

SB-CM1-01S/01L



For Flat or Pitched Ceiling

SB-CM1-02S/02L



For Flat Ceiling

SB-CM2-01S/01L



For Flat or Pitched Ceiling

SB-CM2-02S/02L



For Flat Ceiling

Item No.	SB-CM1-01S/01L	SB-CM1-02S/02L	SB-CM2-01S/01L	SB-CM2-02S/02L
Fit Screen Size	23"- 42"	23"- 42"	32"- 55"	32"- 55"
VESA Compatible	100x100, 200x100, 200x200	100x100, 200x100, 200x200	200x200, 300x300 400x200, 400x400	200x200, 300x300 400x200, 400x400
Weight Capacity	50kg/110lbs	50kg/110lbs	50kg/110lbs	50kg/110lbs
Strength Tested	Four Times	Four Times	Four Times	Four Times
Profile	01S: 560-910mm(22.0"-35.8") 01L: 1060-1560mm(41.7"-61.4")	02S: 560-910mm(22.0"-35.8") 02L: 1060-1560mm(41.7"-61.4")	01S: 560-910mm(22.0"-35.8") 01L: 1060-1560mm(41.7"-61.4")	02S: 560-910mm(22.0"-35.8") 02L: 1060-1560mm(41.7"-61.4")
Tilt Range	+0°--25°	+0°--25°	+0°--25°	+0°--25°
Swivel Range	+180°--180°	+180°--180°	+180°--180°	+180°--180°
Screen Level	+3°--3°	+3°--3°	+3°--3°	+3°--3°

## SB-CM Series

# Heavy-Duty TV Ceiling Mount-For Single Screen

SB-CM3-01S/01L



For Flat or Pitched Ceiling

SB-CM3-01XL



For Flat or Pitched Ceiling

SB-CM3-02S/02L



For Flat Ceiling

Item No.	SB-CM3-01S/01L	SB-CM3-01XL	SB-CM3-02S/02L
Fit Screen Size	37"-70"	37"-70"	37"-70"
VESA Compatible	200x200, 300x300, 400x200 400x400, 600x400	200x200, 300x300, 400x200 400x400, 600x400	200x200, 300x300, 400x200 400x400, 600x400
Weight Capacity	50kg/110lbs	50kg/110lbs	50kg/110lbs
Strength Tested	Four Times	Four Times	Four Times
Profile	01S: 560-910mm(22.0"-35.8") 01L: 1060-1560mm(41.7"-61.4")	2500-3000mm(98.4"-118.1")	02S: 560-910mm(22.0"-35.8") 02L: 1060-1560mm(41.7"-61.4")
Tilt Range	+0°--25°	+0°--25°	+0°--25°
Swivel Range	+180°--180°	+180°--180°	+180°--180°
Screen Level	+3°--3°	+3°--3°	+3°--3°



## SB-CM Series

# Heavy-Duty TV Ceiling Mount-For Dual Screens

SB-CM1-01SD/01LD



For Flat or Pitched Ceiling

SB-CM2-01SD/01LD



For Flat or Pitched Ceiling

SB-CM3-01SD/01LD



For Flat or Pitched Ceiling

SB-CM3-01XLD



For Flat or Pitched Ceiling

Item No.	SB-CM1-01SD/01LD	SB-CM2-01SD/01LD	SB-CM3-01SD/01LD	SB-CM3-01XLD
Fit Screen Size	23"- 42"	32"- 55"	37"-70"	37"-70"
VESA Compatible	100x100, 200x100, 200x200	200x200, 300x300 400x200, 400x400	200x200, 300x300, 400x200 400x400, 600x400	200x200, 300x300, 400x200 400x400, 600x400
Weight Capacity	45kg/99lbs (x2)	45kg/99lbs (x2)	45kg/99lbs (x2)	45kg/99lbs (x2)
Strength Tested	Three Times	Three Times	Three Times	Three Times
Profile	01SD: 560-910mm(22.0"-35.8") 01LD: 1060-1560mm(41.7"-61.4")	01SD: 560-910mm(22.0"-35.8") 01LD: 1060-1560mm(41.7"-61.4")	01SD: 560-910mm(22.0"-35.8") 01LD: 1060-1560mm(41.7"-61.4")	2500-3000mm(98.4"-118.1")
Tilt Range	+5°--20°	+5°--20°	+5°--20°	+5°--20°
Swivel Range	+180°--180°	+180°--180°	+180°--180°	+180°--180°
Screen Level	+3°--3°	+3°--3°	+3°--3°	+3°--3°

**SB-CM1332**

# Telescopic Full-motion TV Ceiling Mount



Item No.	SB-CM1332
Screen Size	13"-32"
VESA Compatible	75x75, 100x100
Weight Capacity	25kg/55lbs
Strength Tested	4 Times Approved
Profile	560-910mm (22"-35.8")
Tilt Range	0°--25°
Swivel Range	+180°--180°
Screen Level	+3°--3°

# Video Wall Mounts

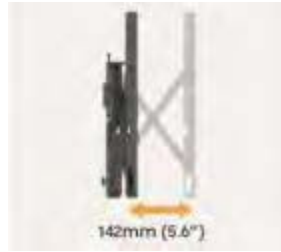


## SB-VW02E Series

# Affordable Full Service Video Wall Mounts



*Easy to Build an Impressive Video Wall at a Budget Price!*



**Pop-Out Design**  
provides quick and easy service access



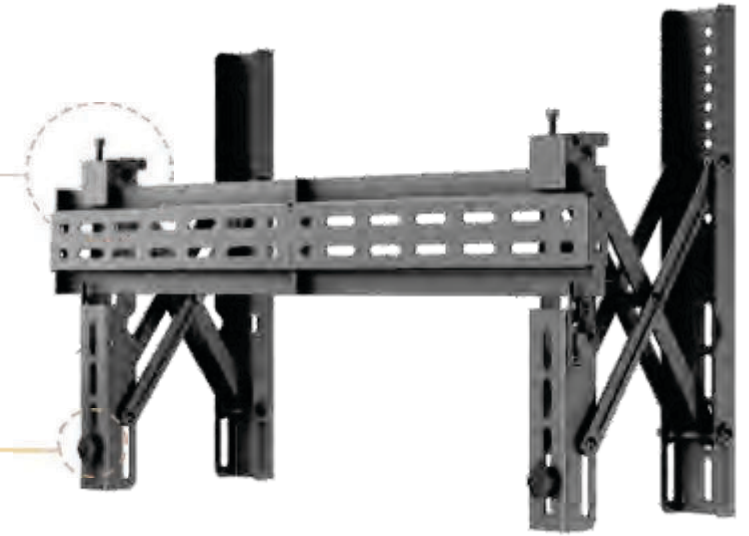
**Protective Locking Kit**  
prevents accidental display pop-outs



**Anti-Theft Design**  
perfect for public areas  
(padlock not included)



**Micro Adjustment Knob**  
for easy alignment even installing on an uneven wall



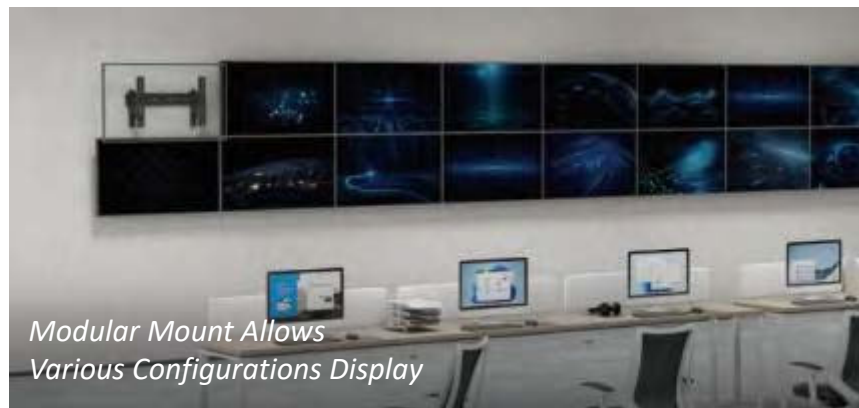
Screen Level



Height Adjustment



Lateral Adjustment



*Modular Mount Allows Various Configurations Display*



**SB-VW02E-46T**  
Max. VESA 600x400

**SB-VW02E-48T**  
Max. VESA 800x400

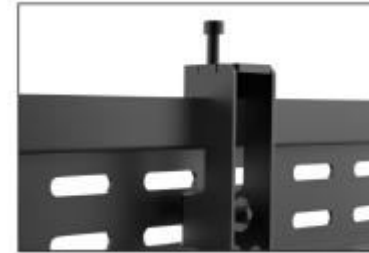
**Fit Screen Size:** 37"-70"  
**Weight Capacity:** 70kg/154lbs  
**Profile:** 78~220mm (3.1"~8.7")  
**Screen Leveling:** +3° to -3°

# SB-VW02 Series

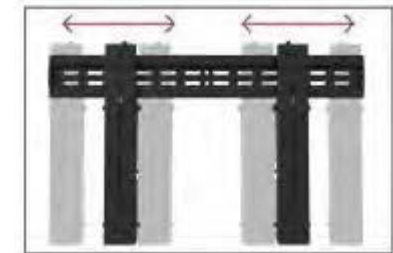
## Multi-screen Video wall mounts



**Protects Displays**



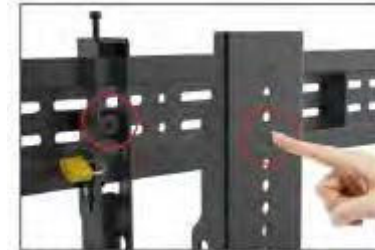
**Built-in Screen Level Adjustment**



**Lateral Shift Brackets**



**Anti-Theft Design**



**Quick-Lock by a Press**



**Easily Pulled Out for Quick Maintenance**



**Easily pop-out**

With POP-Out Function	SB-VW02-46T	Fit Screen Size: 37"~70" Weight Capacity: 45kg/99lbs Screen Levelling: +3°~-3°	Max Vesa 400x600	Profile: 68~215mm(2.7"~8.5")
	SB-VW02-48T		Max Vesa 400x800	
Without POP-Out Function	SB-VW02-46F		Max Vesa 400x600	Profile: 56~215mm(2.2"~8.5")
	SB-VW02-48F		Max Vesa 400x800	

# SB-VW03 Series

## Premium Video Wall Mount

### Pop-Out Lock System

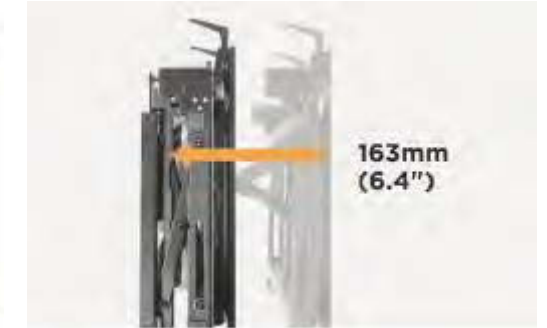
### Lock & Unlock Switch Knob



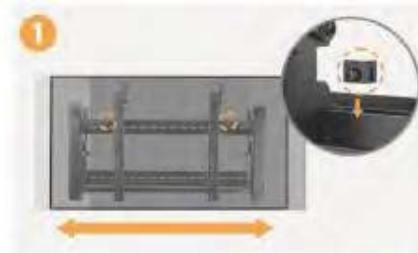
Pop-Out Lock system



Lock & Unlock Switch Knob



Pop-Out Extension



Lateral Shift



Rotary Knobs



Adjustment Handles

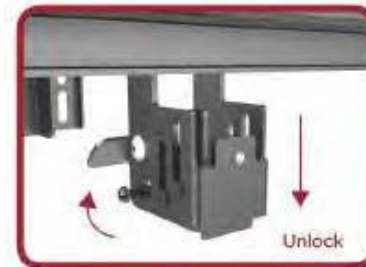


Height Adjustment

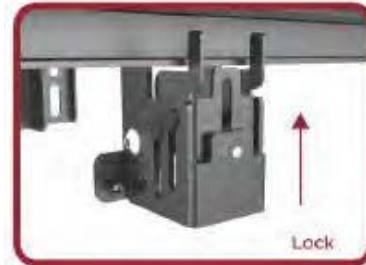
With POP-Out Function	SB-VW03-46T	Fit Screen 45"-70" max vesa 400x600	Profile: 143~306mm(5.6"~12") Tilt Range: +3°~-5° Screen Level: +3°~-3°	Weight Capacity: 70kg(154lbs)
	SB-VW03-48T	Fit Screen 54"-70" max vesa 400x800		
Without POP-Out Function	SB-VW03-46F	Fit Screen 45"-70" max vesa 400x600	Profile: 76mm(3") Tilt Range: +3°~-5° Screen Level: +3°~-3°	
	SB-VW03-48F	Fit Screen 54"-70" max vesa 400x800		

# SB-VW Series

## Video Wall Mounting System



Unlock



Lock



Anti-theft Design



Pop-out Lock System



Pop-out Extension



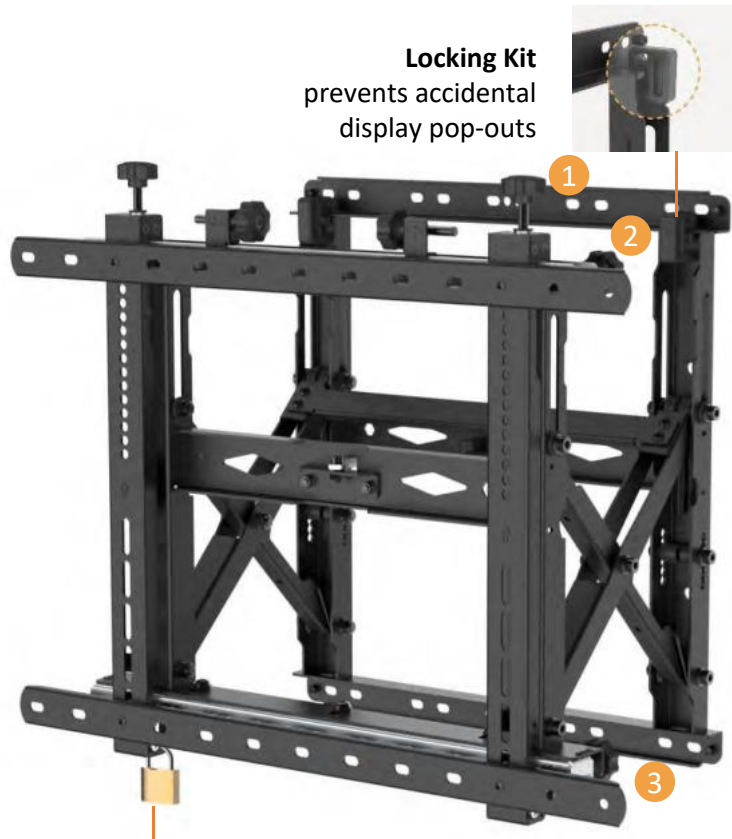
Multi-dimensional Micro Adjustment

With POP-Out Function	SB-4570VW-LAND	Fit Screen 45"-70" Max vesa 400x600	Weight capacity: 70kg(154lbs) Profile: 95~285mm(3.7"~11.2") Tilt Range: +4°~-2° Screen Level: +3°~-3°
	SB-4580VW-LAND	Fit Screen 45"-80" Max vesa 400x800	

# SB-VMFS Series

## Optimal Full Service Video Wall Mount with Quick Release

*Toolless Micro-Adjustments ensure seamless alignment*



**Locking Kit**  
prevents accidental display pop-outs

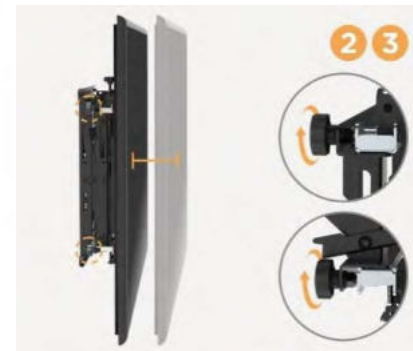
**Anti-Theft Design**  
(padlock not included)



**Height Adjustment: +13mm**



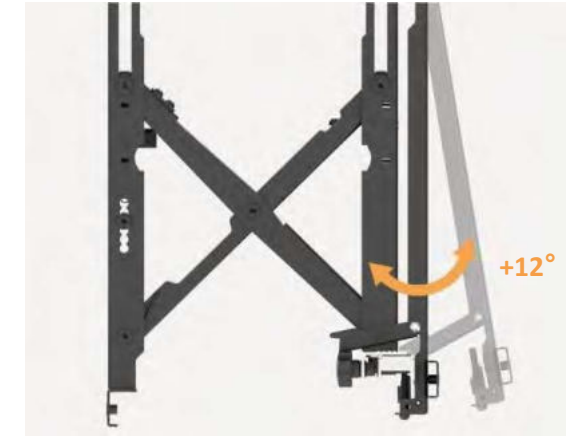
**Tilt Range: +4°~ -2°**  
individual rotation adjust the tilt



**Depth Adjustment: +13.5mm**  
simultaneous rotation adjust the depth



**Push to Open or Close**  
easy to pop-out for quick service access

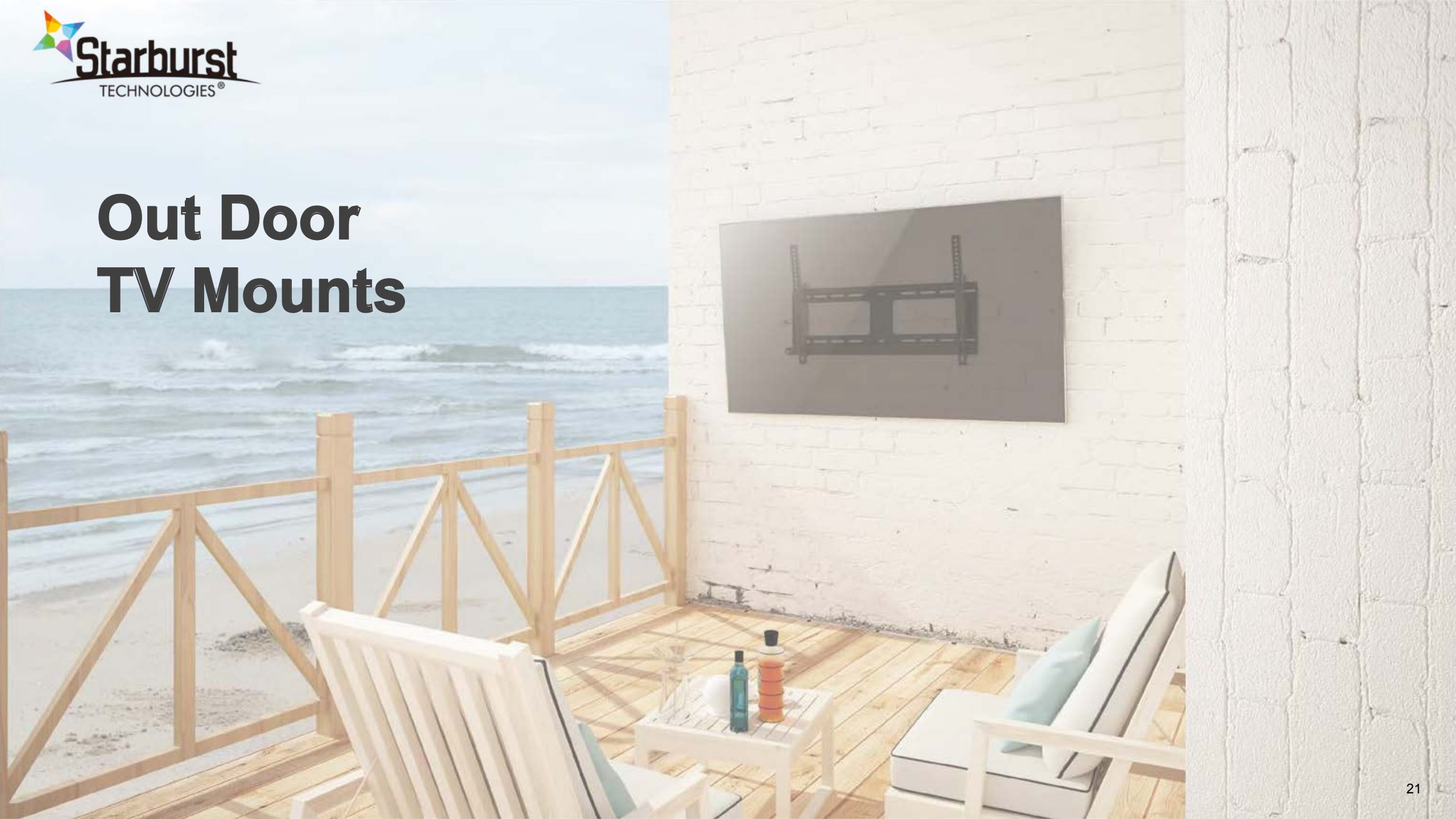


**Kick-Stands**  
provides 12° tilt for maintenance

<b>Item No.</b>	<b>SB-VMFS</b>
<b>Screen Size</b>	45"~70"
<b>Weight Capacity</b>	70kg/154lbs
<b>Strength Tested</b>	Four Times
<b>Max. VESA</b>	600x400



# Out Door TV Mounts



# SB-3780WMT-W

## Outdoor Weatherproof Tilt TV Wall Mount



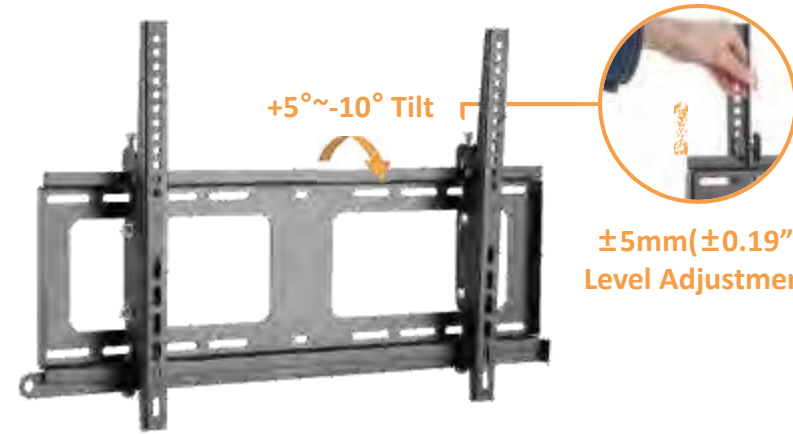
**High Quality Outdoor Powder-Coated Finish**



**Stainless Steel Screws** for added protection against salt air



**Anti-theft Design** provide better protection (padlock required)



**SB-3780WMT-W**  
Fits most 37"~80" TVs



**SB-3270WMT-W**  
Fits most 32"~70" TVs

## SB-3765ART-W / SB-3780ART-W

### Outdoor Full-Motion TV Wall Mounts



**SB-3765ART-W**  
Screen Size: 32"-65"  
Max. VESA: 400×400

**SB-3780ART-W**  
Screen Size: 37"-80"  
Max. VESA: 600×400

With the 304 stainless steel fasteners



Quick lock and release system holds TV in place with no tools required



Freely tilting at a desired viewing angle by using an adjusting knob



Integrated cable management keeps cables neatly organized

# Fireplace TV Mounts



## SB-FPM Series

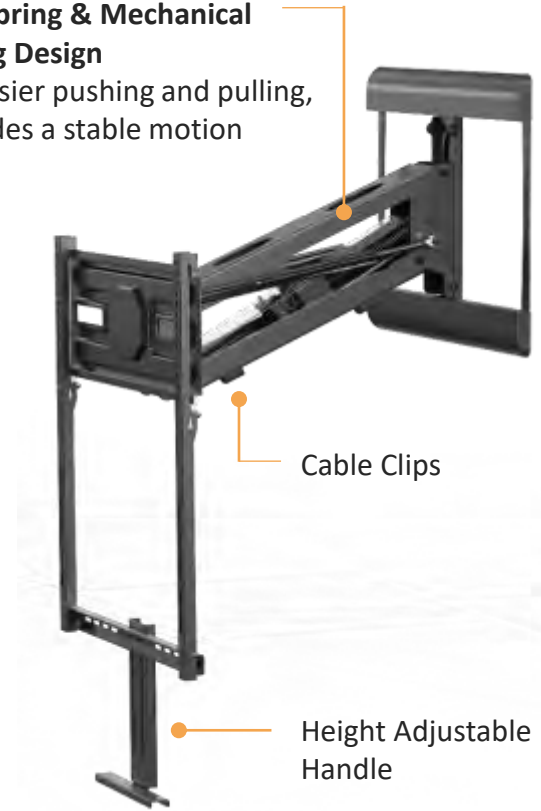
# Premium Pull-Down Mantel TV Mounts



**SB-FPM6585** Gas Spring & Mechanical Spring

Fit Screen Size: 65"-85"  
 Weight Capacity: 20~45kg (44lbs~99lbs)  
 Max. Mounting Hole: 600x538

**Gas Spring & Mechanical Spring Design** for easier pushing and pulling, provides a stable motion



**SB-FPM4370** Mechanical Spring

Fit Screen Size: 43"~70"  
 Weight Capacity: 13~33kg (28.6~72.6lbs)  
 Max. Mounting Hole: 600x538

# SB-FPM-MOTOR Series

## Motorized Mantel TV Mount



**+25°~ -25° Swivel**

**+3°~ -3° Level Adjustment**

**540mm/21.3" Height Adjustment**  
brings the TV down and out for the best viewing position

**Powerful Motor**  
stable, strong, durable and fast

**3 Degree Forward Tilt**  
provides viewing comfort

**Cable Clips**

**RF Remote Control**

- 1 Retracts with One-Button**  
Returns the TV to the initial position
- 2 Store 2 Favorite Positions**  
For different viewers or changing viewing location

# Powered TV Mounts





## SB-PFD Series

### Flip Down TV Ceiling Mounts Powered By Tuya

Intelligent remote via Tuya app now-offers three memory settings, one click manages all.



**Flip Up and Down**  
saves space when not in use



**Fits Pitched Ceilings**

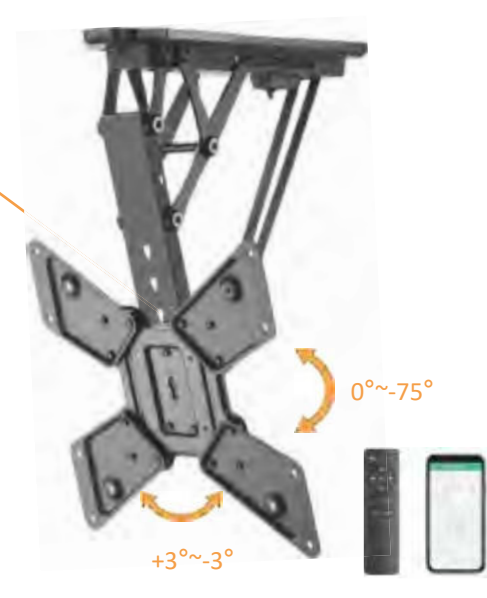


**SB-3270PFD**

**Fit Screen Size:** 32"- 70"  
**Weight Capacity:** 35kg/77lbs  
**Profile:** 108mm(4.3")



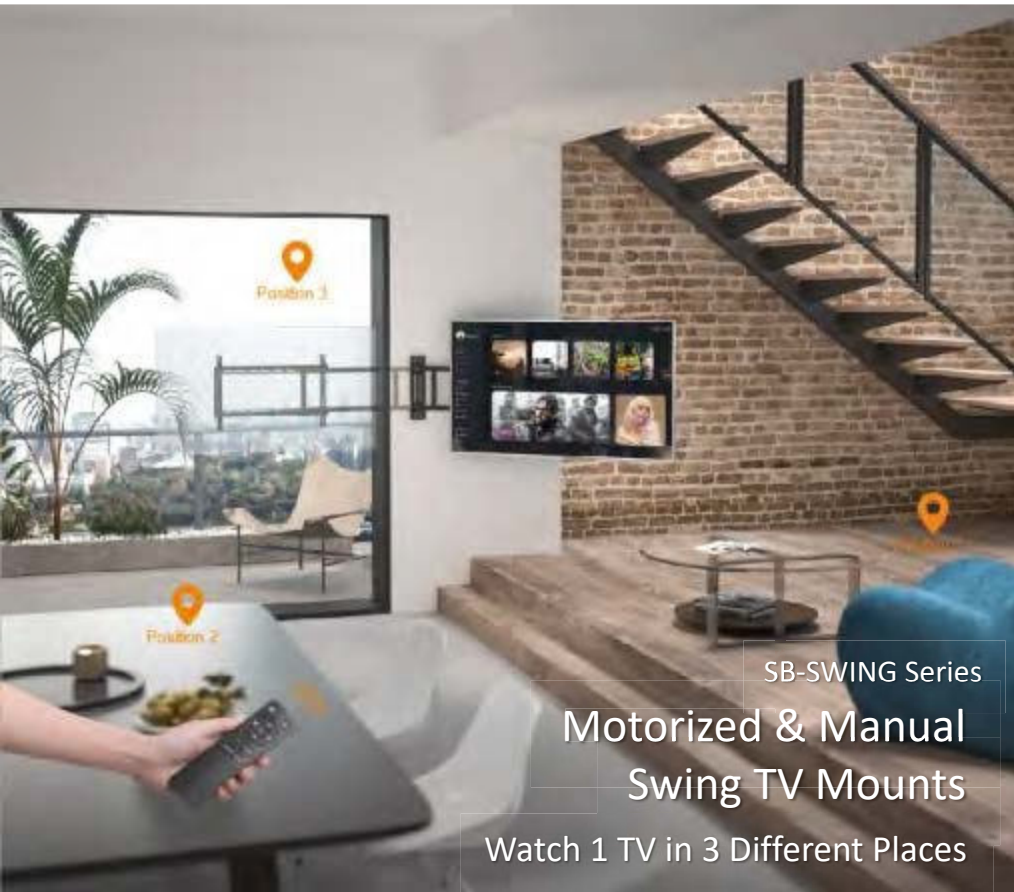
**Keyhole Pattern**  
for easy installation



**SB-2355PFD**

**Fit Screen Size:** 23"- 55"  
**Weight Capacity:** 30kg/66lbs  
**Profile:** 108mm(4.3")





SB-SWING Series  
Motorized & Manual  
Swing TV Mounts

Watch 1 TV in 3 Different Places



Find the Perfect Viewing Angle  
with One Simple Press

- Quiet Operation (<55dB)
- Anti-Collision System
- 2 Memory Settings

**SB-SWING4075-MOT** Motorized



**Fit Screen Size:** 40"-75"  
**Max. VESA:** 600x400  
**TV Weight Capacity:** 50kg/110lbs  
**Swivel Range:** 0°~+170°



56mm/2.2"

**Ultra-Slim but Sturdy Construction**  
holds up to 150kg (330lbs) in load testing  
which is 3 times as heavy as the rated  
lifting capacity



**2 Reinforced TV Holders**  
securely fix the TV on the bracket



**Cable Management**  
keeps everything organized

**SB-SWING4075-MAN**  
Manual



**Fit Screen Size:** 40"-75"  
**Max. VESA:** 600x400  
**TV Weight Capacity:** 50kg/110lbs  
**Swivel Range:** 0°~+180°



**POSITION IT ANYWHERE**

**1 TV + 1 SWING TV MOUNT  
= 3 TVS**

# DIY TV Lifts





SB-DIY3255

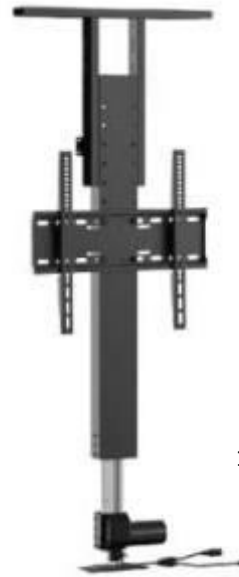
## Motorized Floor & Ceiling TV Lift

Lift up or drop down. Conceal and integrate TV into any room.

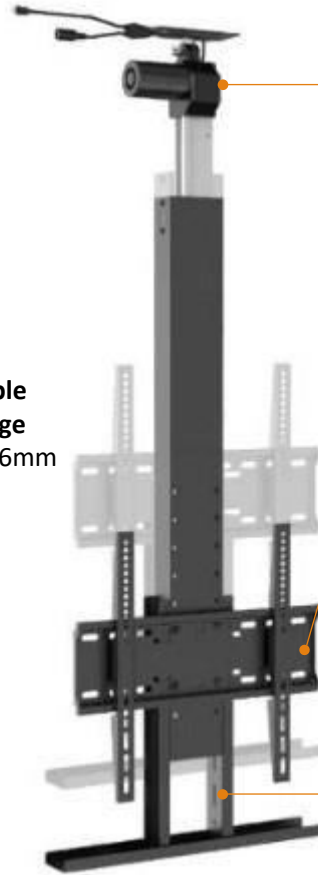


Control via  
Remote Control

▼ Pop Up



▼ Drop Down



Customizable  
Height Range  
1095mm~2186mm  
43"~86"

Quality Electric Linear Actuator  
allows reversed-loaded operation  
for ceiling mounting

Detachable Panel  
installed to different height holes  
for various needs

Holes for Precise Height Adjustment  
to better fit different cabinets sizes  
and story heights

SB-DIY3255

Fit Screen Size: 32"~55"

Max. VESA: 400x400

Height Adjustment: 1095mm~2186mm/43"~86"

Weight Capacity: 45kg/99lbs

Strength Tested: Four Times

Power Input: AC 100~240, 50/60Hz

Speed: 39mm/s

# SB-DIYS SERIES

## Motorized TV Lift Stands Powered By Tuya



Precise Height Adjustment  
87~273mm/  
3.7"~10.7"



**Anti-Collision Function**  
protects your TV and décor  
in the limit environment



**Control via Remote Control/ Tuya APP**  
offers two memory settings and more.

Conceal in box when not in use - saves space while maintaining the minimalist look.



Customizable TV stand lift range makes seamlessly concealment.

### Quality Motor

- smooth and flexible movement - built for a lifetime of use
- low decibel operation (<50dB)

Item No.	SB-DIYS-46M	SB-DIYS-46ML
Screen Size	37"-65"	37"-80"
Height Adjustment	810~2020mm/31.9"~79.5"	810~2170mm/31.9"~85.4"
Weight Capacity	60kg/132lbs	
Max. VESA	600×400	

# TV Bezels





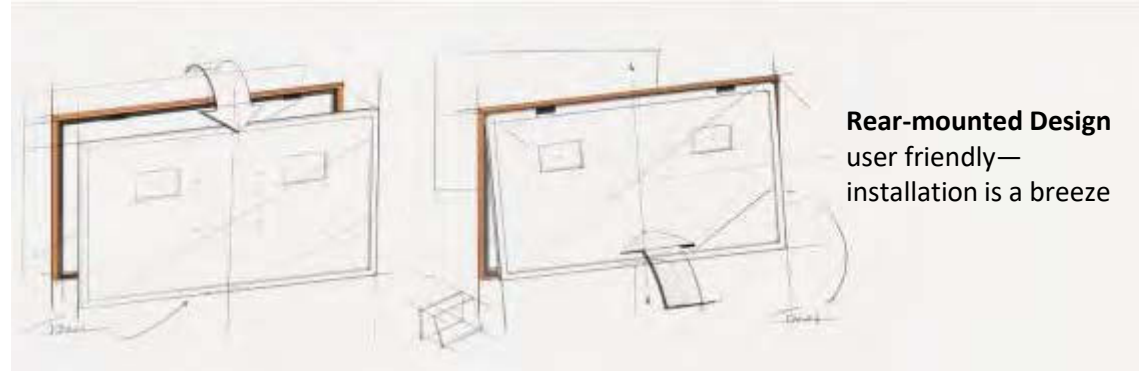
## SB-FM01 Series

### Modern Art Deco TV Frames

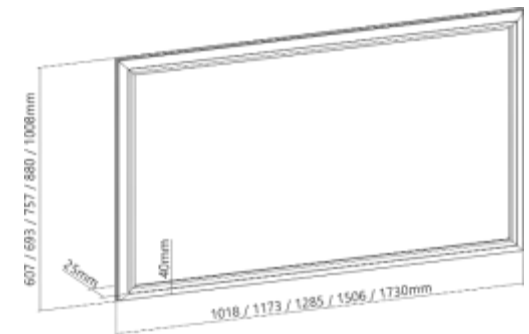
Bezel exclusively designed for Samsung The Frame TVs (2021 & 2022)



**Solid Craftsmanship**  
seamlessly integrates with TV



**Rear-mounted Design**  
user friendly—  
installation is a breeze



**Colors:**       
Gold Black Grey Misty Blue Silver

Item No.	SB-FM01-43	SB-FM01-50	SB-FM01-55	SB-FM01-65	SB-FM01-75
Fit TV Size	43"	50"	55"	65"	75"

# Soundbar - Media Player Mounts



# SB-SBAR-67 Adjustable Soundbar Wall Mount Brackets

Optimize Listening Experience at the Perfect Height



**Easy Installation**  
simply screw to the wall

**Depth Range:** 90-154mm (3.5"-6.1")  
**Weight Capacity:** 5kg/33lbs



**Locking Adjustable Depth**  
adapts to various soundbars of  
3.5"-6.1" depth while providing a  
strong grip

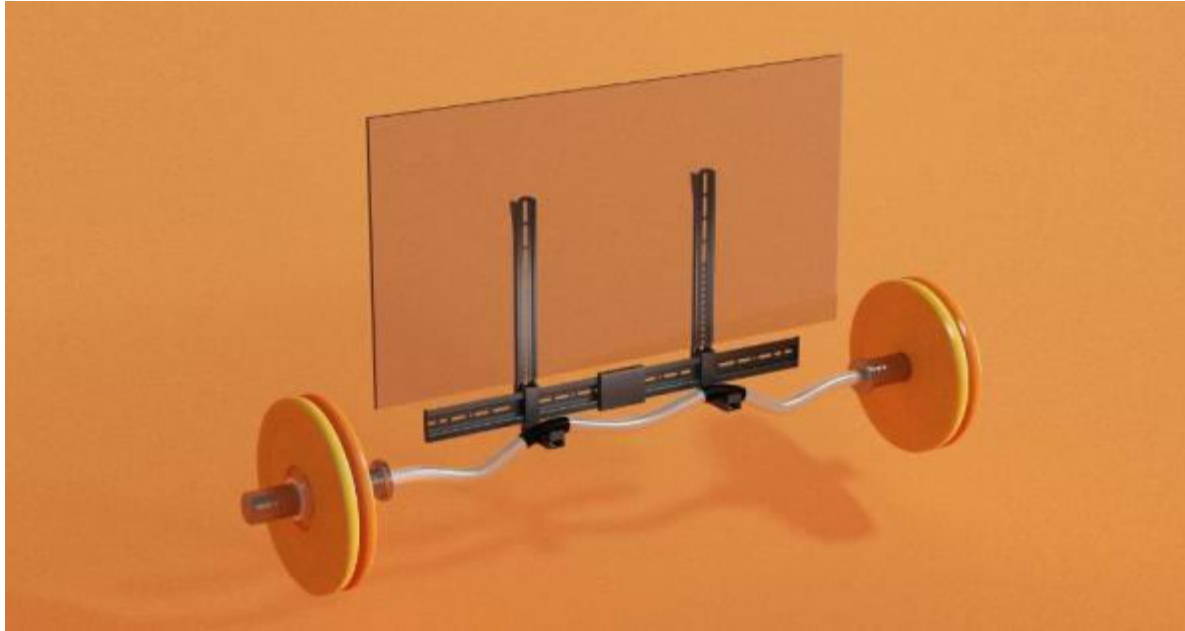


**Anti-Slip EVA Pads**  
remove vibrations and protect  
soundbar from scratches



# SB-SBAR

## Hercules Soundbar Mount - Universally Compatible



Built tough, this soundbar bracket can hold up to **33lbs/15kg** and is **compatible with most popular brands**. Suitable for fixed, tilt, and full motion TV mounts or TV floor stands.

### INSTALLATION OPTIONS



Mount on the wall



Mount above TV



Mount below TV



**EVA Pads**  
firmly secure the soundbar while preventing vibration noise



**Adjustable Base Holder**  
compatible with various sized soundbars



**Compatible with TV Mounts or Stands**  
works with VESA sizes up to 800x400mm



**Branding Badge**  
covers hardware and for brand logo



**Optimized Packaging**  
ideal for online fulfillment



### SB-SBAR

**Applicable Device:** Soundbar (Width: 86-155mm)  
**Weight Capacity:** 15kg/33lbs  
**Profile:** 112~181mm (4.4"~7.1")

## SB-SBAR-70 Series

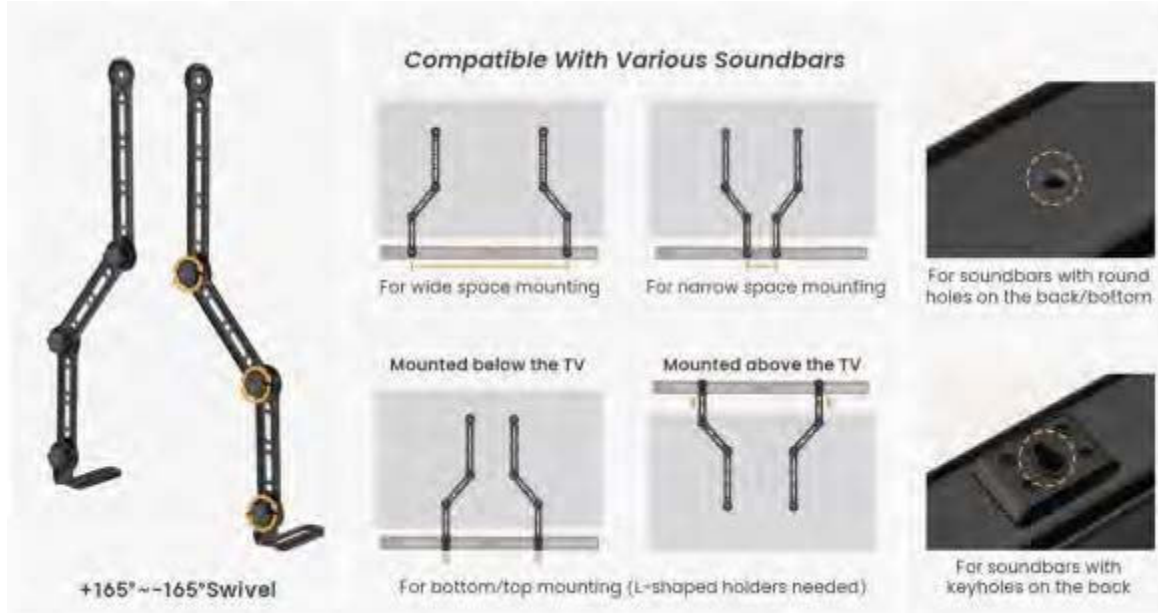
### Universal Soundbar Mounts With L-Shaped Holders



**SB-SBAR-70S**  
for universal soundbars & screens (up to 49" )



**Weight Capacity:** 15kg (33lbs)  
**Profile:** 138mm (5.4")



**SB-SBAR-70L**  
for universal soundbars & screens (up to 90" )



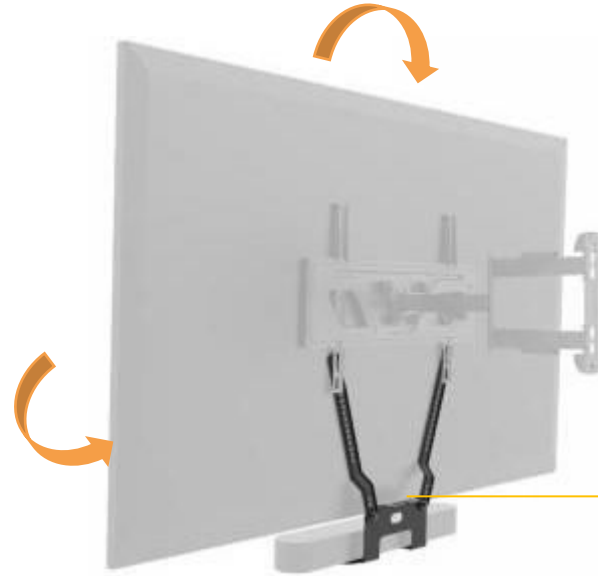
**Weight Capacity:** 15kg (33lbs)  
**Profile:** 130mm (5.1")

# SB-SBAR-61 Series

## Compact Mounts for Sonos® Beam



Note: Sonos® and Sonos® product names referred to on the package and product information are trademarks or registered trademarks of SONOS, Inc.. All other product names and services may be trademarks or service marks of their respective owners.

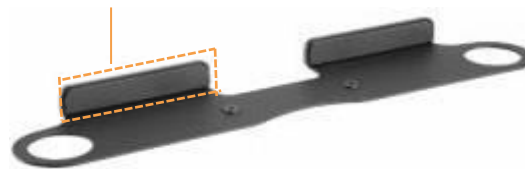


**Tilts and Swivels with you TV**  
directs audio to the viewer



**Cable Management**  
Hides and organizes wiring

**Plastic Decorative Covers**  
Protecting the rear of Sonos® Beam



**SB-SBAR-61**  
Full-Motion  
TV Mounts-Mounted



**SB-SBAR-61W**  
Wall-Mounted

SB-SBAR-69 Series

# Mounting Solutions for Sonos Ray

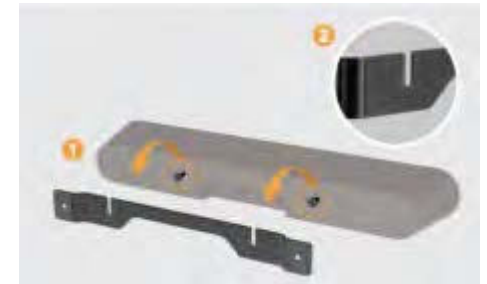
Provide a simple way to optimize the listening experience for any furniture layout.



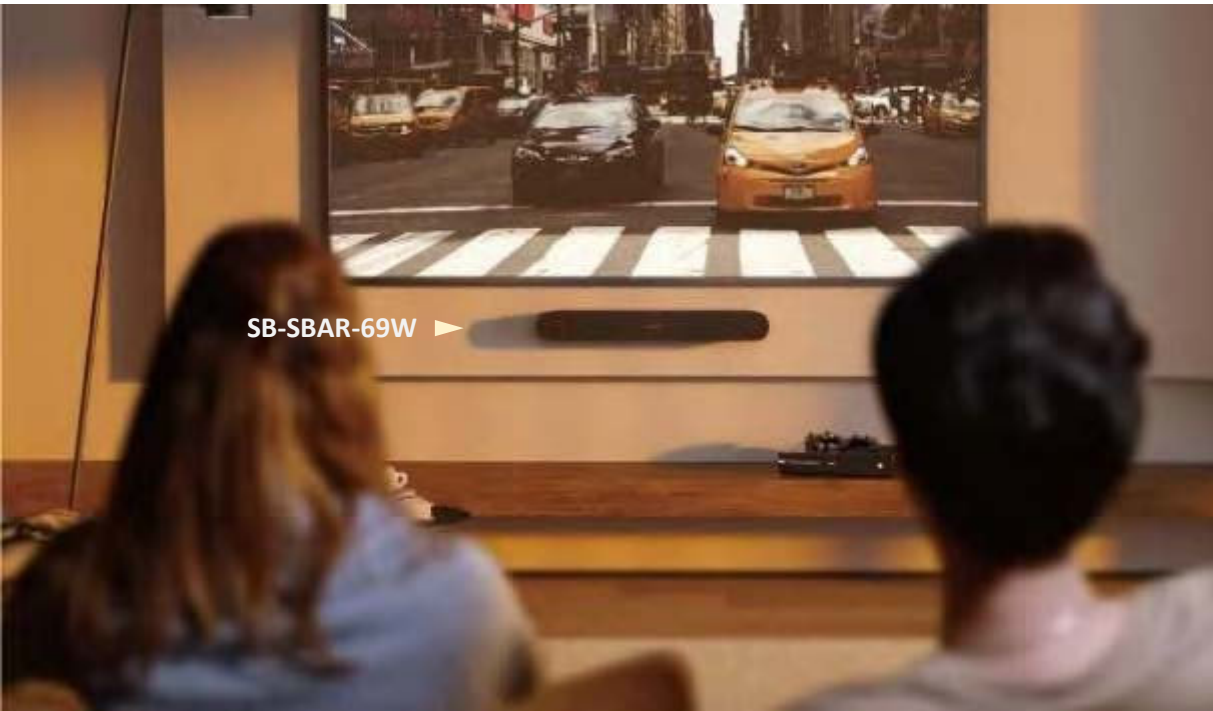
**Curve Design**  
easy to organize cables for a clean look



**Optimized Packaging**  
for the lowest shipping and storage costs



- 1 Easy Installation**  
for exceptional customer experience and positive reviews
- 2 Protective Pads**  
ensure stability and prevent the speaker from scratches



**SB-SBAR-69**  
TV-Mounted  
(Max. VESA: 600x400)



**SB-SBAR-69W**  
Wall-Mounted

**SB-SBAR-69W/SB-SBAR-69**

**Weight Capacity:** 1kg/2.2lbs  
**Material:** Aluminum, Plastic, Steel  
**Colors:**

# SB-PM-09 SERIES

## TV TOP SHELF WITH LEDGES



**Safety Ledges All-Around**  
prevents devices from falling or accidental drops



**Adapts to Most TVs**  
convenient knob locks the leg into position



**Easy Installation**  
no tools required

**SB-PM-09-01**



**SB-PM-09-02**



Weight Capacity: 6kg/13.2lbs

Colors:

# SB-TRIPOD -SERIES

## LIGHTWEIGHT PORTABLE TRIPOD PROJECTOR STAND



**Removable Tray**  
disassembles for easy storage



**Retractable Folding Tripod Legs with Locking Paddles**  
ideal for transport and storage



**Nylon Bag**  
for convenient to carry the stand on the move

**Safety Strap**  
for holding the device firmly



**Tilt Adjustment**  
for optimal viewing angles  
 $+20^{\circ} \sim -20^{\circ}$



**Built-In Bubble Level**  
ensures proper leveling

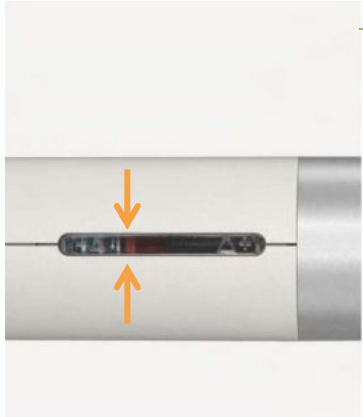
**Anti-Skid Feet**  
ensure stability and prevent the surface from scratches

# Desk Top Monitor Arms



## SB-MA-FLEXION Series

# Premium Aluminum Spring-Assisted Monitor Arms



**Tension Indicator**  
for spring tension alignment  
when installing multiple monitors



**Built-in Spring Gauge**  
for perfect weight adjustments



**SB-FLX-1U**  
2 x USB 3.0 Ports



**Quick-Release VESA Plate**  
allows for effortless  
installation and removal



**Built-In 180° Rotation Stop**  
for confining the rotation to 180°  
by tightening the lower screw,  
which prevents interference with  
walls or desk partitions



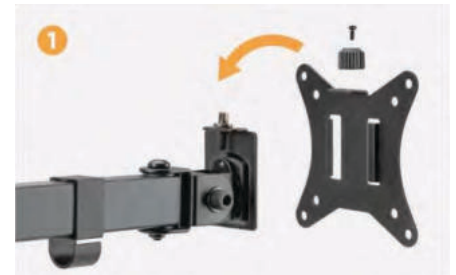
**SB-FLX-2U**  
2 x USB 3.0 Ports



# SB-MA-AM Series Classic Steel Articulating Monitor Arm & Stands

From single to quad monitors, the SB-MA-AM Series fits every need.

**Tilt Range:** +45°~-45°  
**Swivel Range:** +90°~-90°  
**Screen Rotation:** +180°~-180°



**Detachable VESA Plate**  
enables easy monitor installation



**Fine-Tuning Height Adjustment**  
for a nearly seamless side-by-side viewing experience



**Clamp/Grommet Base**  
with 2-in-1 design

**Freestanding Base**  
with an additional phone slot

## SB-MA-AM Series

### Classic Steel Articulating Monitor Arm & Stands

For Single Monitor and Laptop



#### Multi-Purpose Device Tray

- **Detachable Design**  
easily switch to a dual screen setup
- **Strong Adjustable Claws**  
firmly hold different sized devices
- **Silicone Pads**



SB-MA-AMA-ML

**Fit Monitor Size:** 17"-32"  
**Weight Capacity:** 9kg/19.8lbs  
**VESA Compatible:** 75x75,100x100  
**Fit Laptop Screen Size:** 10"-15.6"  
**Tilt Range:** +45° ~ -45°  
**Swivel Range:** +90° ~ -90°  
**Screen Rotation:** +180° ~ -180°

For Single Monitor

Fit Monitor Size: 17"-32" Weight Capacity: 9kg/19.8lbs



SB-MA-AMA12



SB-MA-AMA12L



SB-MA-AMA-12S



SB-MA-AMS-12

## SB-MA-AM Series

### Classic Steel Articulating Monitor Arm & Stands

#### For Dual Monitors

Fit Monitor Size: 17"-32" Weight Capacity: 9kg/19.8lbs



SB-MA-AMA024



SB-MA-AMS024



SB-MA-AMA024V



SB-MA-AMS-024V

#### For Triple Monitors

Fit Monitor Size: 17"-27" Weight Capacity: 7kg/15.4lbs



SB-MA-AMA-034



SB-MA-AMS-024

#### For Quad Monitors

Fit Monitor Size: 17"-32" Weight Capacity: 9kg/19.8lbs



SB-MA-AMA-044



SB-MA-AMS-044

# Mobile TV Carts



# Mobile TV Carts Cross-Reference

Material	Product Series	Column	Features	Remark
Steel	SB-CART-ST	Single Column	<ol style="list-style-type: none"> <li>1. TV height adjustable through pin on column: pull the pin on the outter column to adjust the inner column height, afety screws added</li> <li>2. With DVD tray</li> <li>3. Weight Capacity: 50KG(110lbs) &amp; Fit Screen Size: 37"-70"</li> </ol>	For office and home use
		Dual Columns	<ol style="list-style-type: none"> <li>1. TV height adjustable through hole on column: install vesa panel on different height level hole on the column, then screw fixed</li> <li>2. DVD tray optional</li> <li>3. Weight Capacity: 50KG(110lbs) &amp; Fit Screen Size: 37"-70"</li> </ol>	
	SB-ST	Single Column	<ol style="list-style-type: none"> <li>1. TV height adjustable through handle on column: with the handle on outter column to adjust the inner column height, safety screws added</li> <li>2. With DVD tray</li> <li>3. Weight Capacity: 50KG(110lbs) &amp; Fit Screen Size: 37"-70"</li> </ol>	For office and home use
		Dual Columns	<ol style="list-style-type: none"> <li>1. TV height adjustable through pin on column: pull the pin on the outter column to adjust the inner column height, afety screws added</li> <li>2. With DVD tray or network cabinet</li> <li>3. Dual Screen design optional</li> <li>4. Weight Capacity: 40x2-100KG(88x2-220lbs) &amp; Fit Screen Size: 35"-100"</li> </ol>	Sturdy steel base, designed for commercial use
Aluminum	SB-PATVC	Single Column	<ol style="list-style-type: none"> <li>1. TV height adjustable through slot on column: slide the vesa panel on the column slot, then screw fixed</li> <li>2. DVD tray optional</li> <li>3. Weight Capacity: 70KG(154lbs) &amp; Fit Screen Size: 37"-70"</li> </ol>	Ultra modern design, for premium commercial use
		Dual Columns	<ol style="list-style-type: none"> <li>1. TV height adjustable through slot on column: slide the vesa panel on the column slot, then screw fixed</li> <li>2. With DVD tray</li> <li>3. Weight Capacity: 140KG(308lbs) &amp; Fit Screen Size: 70"-120"</li> </ol>	
	SB-SC5086	Four Columns	<ol style="list-style-type: none"> <li>1. TV height adjustable through double hanging hook, 2 levels height for different needs</li> <li>2. With DVD tray</li> <li>3. Weight Capacity: 120KG(264lbs) &amp; Fit Screen Size: 50"-86"</li> </ol>	For heavy duty need, for office or commercial use

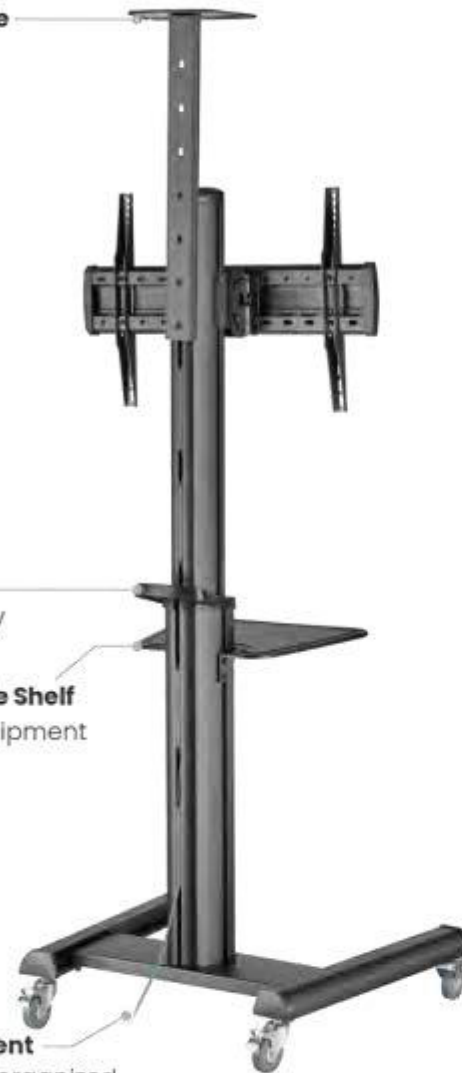
# SB-PATVC Series

## Premium Aluminum TV Cart

For most 37"-70" TVs up to 70kg/154lbs.



**Height Adjustable  
Camera Shelf**



**D-Ring Handle**  
for quick and easy  
movement

**Height Adjustable Shelf**  
perfect for AV equipment  
and materials

**Cable Management**  
keeps everything organized

**Portrait or  
Landscape  
Orientation**

**Height  
Adjustment**

**+5° ~ -12°  
Toolless Tilting**



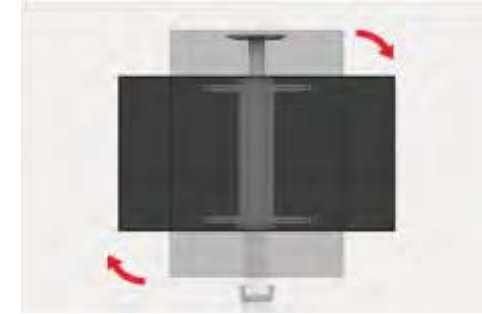
**4 Locking Casters**  
smooth movement &  
lock firmly in place

## SB-PATVC Series

# Ultra-Modern Aluminum TV Carts



**Height Adjustment**  
allows for any desired TV position along the column



**Portrait or Landscape Orientation**  
ideal for TV viewing and presentation use  
(for SB-PATVC-46TW only)



**SB-PATVC-46TW**  
For 37"-70" TVs



**SB-PATVC-46TW**  
For 37"-70" TVs



**SB-PATVC-610TW**  
For 70"-120" TVs

SB-SC5086

# HEAVY-DUTY STUDIO TV CART

Take Teamwork Anywhere



Fit up to **86"** screen Weight up to **120kg**



**Storage Shelf**  
for supplies such  
as pens, sticky  
notes, etc.

**75mm large casters**  
ensure the mobility and flexibility.



**Adjustable double hook design**  
strong, durable and easy to install



**Height adjustable**  
2 levels for different needs

## SB-SC5086

<b>Screen Size:</b>	50"-86"
<b>Max. VESA Compatible:</b>	800x600
<b>Weight Capacity:</b>	120kg/264lbs



# SB-CART-ST Series

## VERSATILE & COMPACT STEEL TV CARTS

For most 37"-70" Displays  
up to 50kg/110lbs.



**Height Adjustable  
Camera Shelf**

1285/1340/1395/1450mm  
(50.6"/52.8"/54.9"/57.1")  
**Four Height Settings**

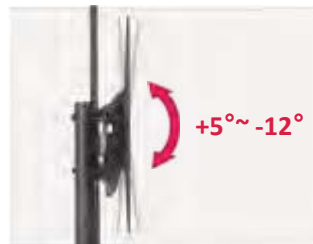
**Height Adjustable  
Equipment Shelf**  
perfect for small devices

**SB-CART-ST**

with Camera & Equipment Shelves



**SB-CART-STE**



**Tool-less Tilting**  
for the optimal viewing  
angle



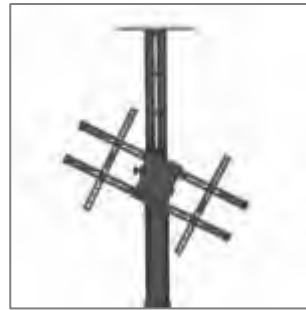
**Integrated Cable  
Management**  
for a clean look



**Locking Casters (2 of 4)**  
ensure mobility and stability

## SB-CART-ST Series

# Steel Height-Adjustable MobileTV Carts



**Horizontal and Landscape Installation** meets different viewing needs.



**Cable Management** creates a clean and neat look.



**Equipment and Material Shelf**  
a solid hold for electric equipment and materials.



**Quick-Release Spring Lock**  
adjusts the height in a snap.

**SB-CART-ST46TW**  
For 37"-70" Flat Panel TVs

## SB-ST Series

# Steel Height-Adjustable Mobile TV Carts

### SB-ST-610TW

For 60"-100" Flat Panel TVs



### SB-STC-610TW

For 60"-100" Flat Panel TVs



### SB-ST-46TW

For 37"-70" Flat Panel TVs



### SB-ST-44TW

For 60"-100" Flat Panel TVs



### SB-ST-44TW

For 35"-45" Flat Panel TVs



### SB-STC-44TW

For 35"-45" Flat Panel TVs

