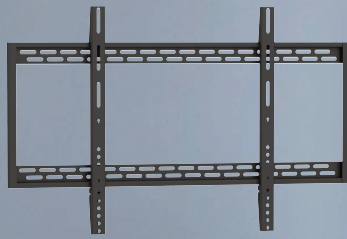




# Fixed Wall Mount

with Open Wall Plate

**BEAST SERIES XL**  
FOR 60" TO 100" DISPLAYS



**SB-60100WM-XL**



## STARBURST MOUNTING SYSTEMS - SOLUTIONS FOR YOUR BUSINESS

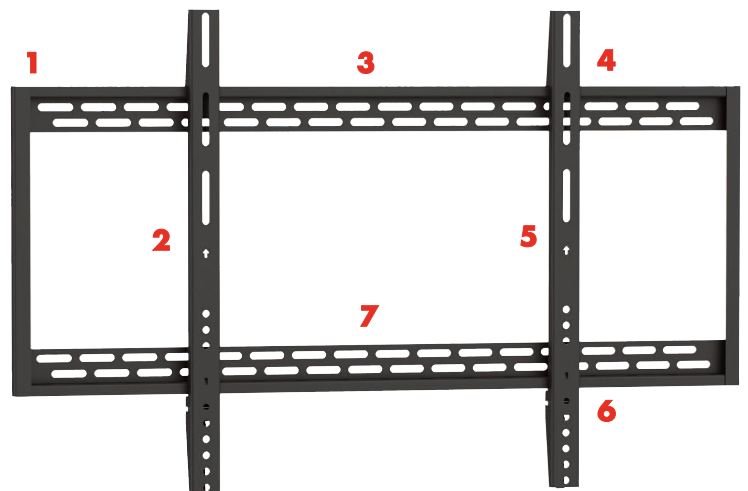
Starburst commercial-grade, flat-panel TV wall mounts are built to last! All units are made from high-quality cold formed steel for the best in safety and reliability. All **BEAST** models adhere to vigorous industry UL certification standards.

As an added bonus, PDI offers LIFETIME TECH SUPPORT for all Starburst Mounting Systems products.

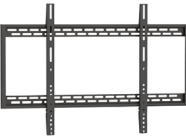
The BEAST Series **SB-60100WM-XL** is a fixed wall mount, designed to make the maximum use of a minimum of space. The BEAST series is made to accommodate larger televisions up to 100" in size. The SB-60100WM-XL can position the display as close as 1.26" to the wall which is ideal for low-profile applications. Reliable and affordable, it offers your business many benefits.

### KEY FEATURES

- 1 Positions near the wall for a super slim profile
- 2 Left-right, side-to-side adjustments to fine tune position after install
- 3 Fits 60" to 100" displays
- 4 Max load is 220lbs. (100kgs)
- 5 Up to 600x900 mm Universal VESA mounting pattern
- 6 Aesthetic and durable SPCC construction with black powder coat finish
- 7 Open wall plate design



Units are packaged in a professional quality retail-style box that include all the necessary installation hardware and easy to follow instructions.


<b>SB-60100WM-XL</b> <b>BEAST</b> UL Listed		<b>FIXED XL</b>		<b>Individual Box Size</b>	43.9x16.3x1.6"	<b>Material (Steel)</b>	SPCC with powder coated finish
		<b>Suggested Screen Sizes</b>	60" to 100" (152 to 254cm)	<b>Individual Box Weight</b>	13lbs	<b>Color</b>	Black
		<b>Product Size</b>	1009x630x32mm (39.7x24.8x1.3")	<b>QTY Per Carton</b>	4pc	<b>Cable</b>	Available via plastic cover
		<b>Max VESA</b>	600x900mm (23.6x35.4")	<b>Carton Size</b>	44.5x7.1x16.9"	<b>Management</b>	
		<b>Distance To Wall</b>	32mm (1.26")	<b>Carton Gross Weight</b>	55lbs	<b>Level</b>	Optional: add on
		<b>Tilt / Swivel Range</b>	na				
<b>Max Loading</b>	100kgs (220lbs)						

**SCHEMATICS - MODEL SB-60100WM-XL**

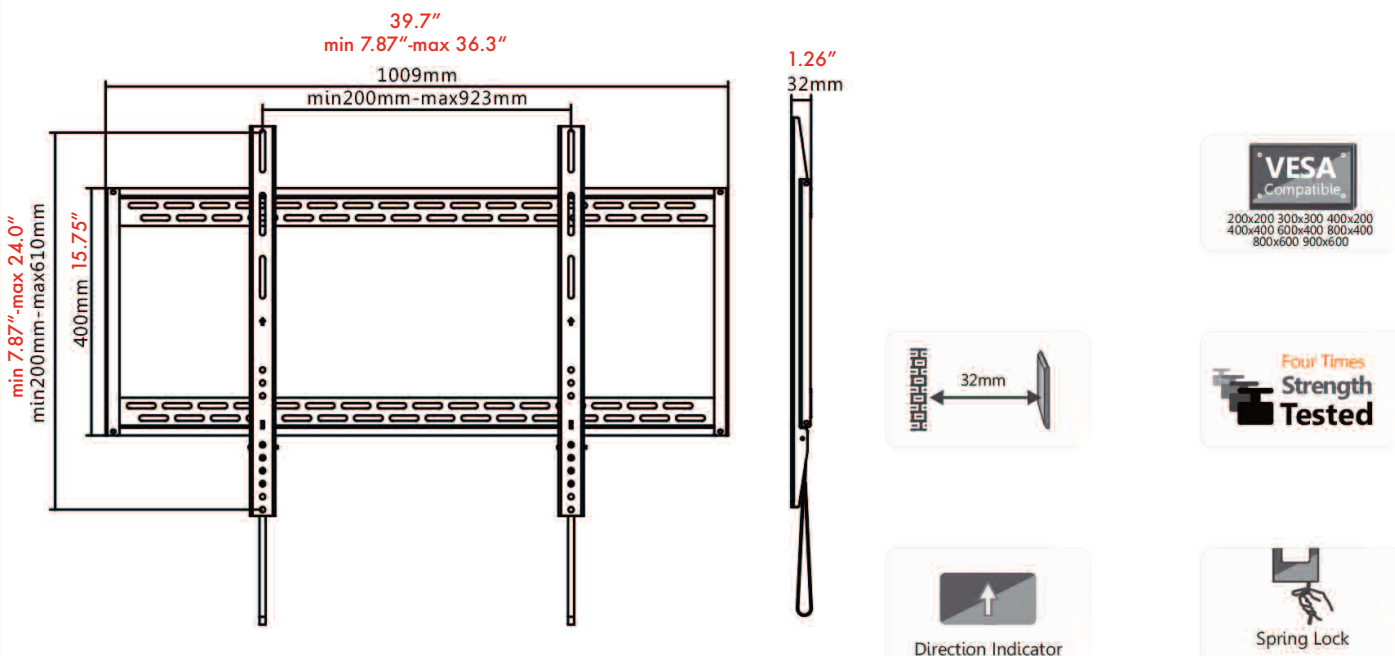
All Dimensions = mm **inch**

[ FIXED ]

MOST  
**60"-100"**  
 MAX.VESA 900x600



**SB-60100WM-XL**  
**BEAST**





Specifications subject to change without notice. Content and Starburst Mounting Systems are the intellectual property of PDI Communications Inc. ©2017, all rights reserved. All other marks are the property of their respective owners.