



# Swivel Tilt Extend TV Wall Mount

Installation Manual

Model: SB-3790ART-FM



## CONTACT:

**Starburst Technologies®**  
a division of PDI Communications Inc.

6353 W Rogers Circle #6, Boca Raton, FL 33487

TF: 800-242-1606

Email: [sales@starburstmounts.com](mailto:sales@starburstmounts.com)

Web: [www.starburstmounts.com](http://www.starburstmounts.com)

©2019 Starburst Technologies All rights reserved.



Please visit our Starburst Mounts YouTube channel for installation videos.

**CAUTION:** This mount is intended for use only with a maximum weight of 132 lbs. Use with products heavier than the maximum weight indicated may result in collapse of the mount and its accessories, causing possible injury.

**ATTENTION:** Ce support est conçu pour être utilisé uniquement avec un poids maximal de 132 lb. L'utilisation avec des produits plus lourds que les poids maximaux indiqués peut entraîner l'affaissement de la monture et de ses accessoires, pouvant entraîner des blessures.



If you have any question, please contact us at **800-242-1606**, or send an email to [sales@starburstmounts.com](mailto:sales@starburstmounts.com).

Thank you for purchasing our Starburst SB-3790ART-FM mount. This SB-3790ART-FM Swivel Tilt Extend TV wall mount extends an amazing 31.5" from the wall, providing enough space for maintenance or wiring. Sits 2.8" from the wall when fully compressed. Features +2°~-15° tilt adjustment and +60°~-60° swivel adjustment.



Read the entire instruction manual before you start the installation and assembly. If you have questions regarding any of the instructions or warnings, please contact your local Starburst dealer for assistance.

## IMPORTANT SAFETY INSTRUCTIONS

- Use with products heavier than the rated weights indicated may result in instability causing possible injury.
- Please closely follow the assembly instructions. Improper installation may result in damage or serious personal injury.
- Safety gear and proper tools must be used.
- This product is designed to be installed on solid concrete walls or wood stud walls.
- Make sure that the supporting surface will safely support the combined weight of the equipment and all attached hardware and components.
- Use the mounting screws provided and DO NOT OVER TIGHTEN mounting screws.
- This product contains small items that could be a choking hazard if swallowed. Keep these items away from children.
- This product is intended for indoor use only. Using this product outdoors could lead to product failure and personal injury.
- Save these instructions for future use.

## PREPARATION:

Please make sure the mount is appropriate for the TV before installation.

1

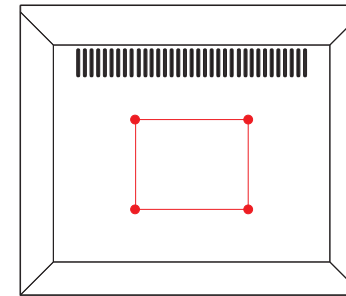
**Does the weight of TV (including accessories) exceed the maximum weight limitation?**

If the mount is not compatible, contact your local Starburst dealer or visit [starburstmounts.com](http://starburstmounts.com) to find a right mount.



2

**Does your TV match the stated VESA?**



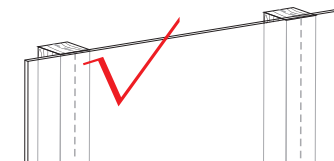
200x100/200x200/300x200/300x300  
400x200/400x300/400x400/600x400

Measure the hole pattern found on the back of your TV. If the horizontal distance is 400mm and the vertical distance is 300mm, the VESA size of your TV is 400x300. Refer to the corresponding VESA size on the instruction manual. If the mount is not compatible, contact your local Starburst dealer or visit [starburstmounts.com](http://starburstmounts.com) to find a right mount.

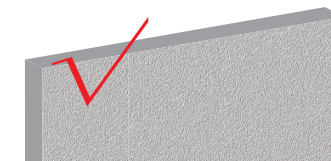
3

**What's your wall frame?**

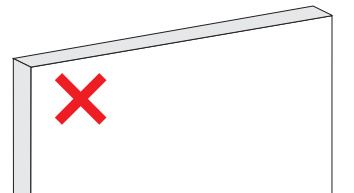
Wood stud walls



Solid concrete walls



Drywall alone



4

**What tools are required for the installation?**



Power Drill



Phillips Screwdriver



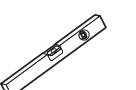
1/2 inch (14mm)  
Socket Wrench



Tape Measure



Pencil



Bubble Level

**Wood Stud Install**



Stud Finder



Φ 1/4 inch Drill Bit

**Solid Concrete Install**



Hammer

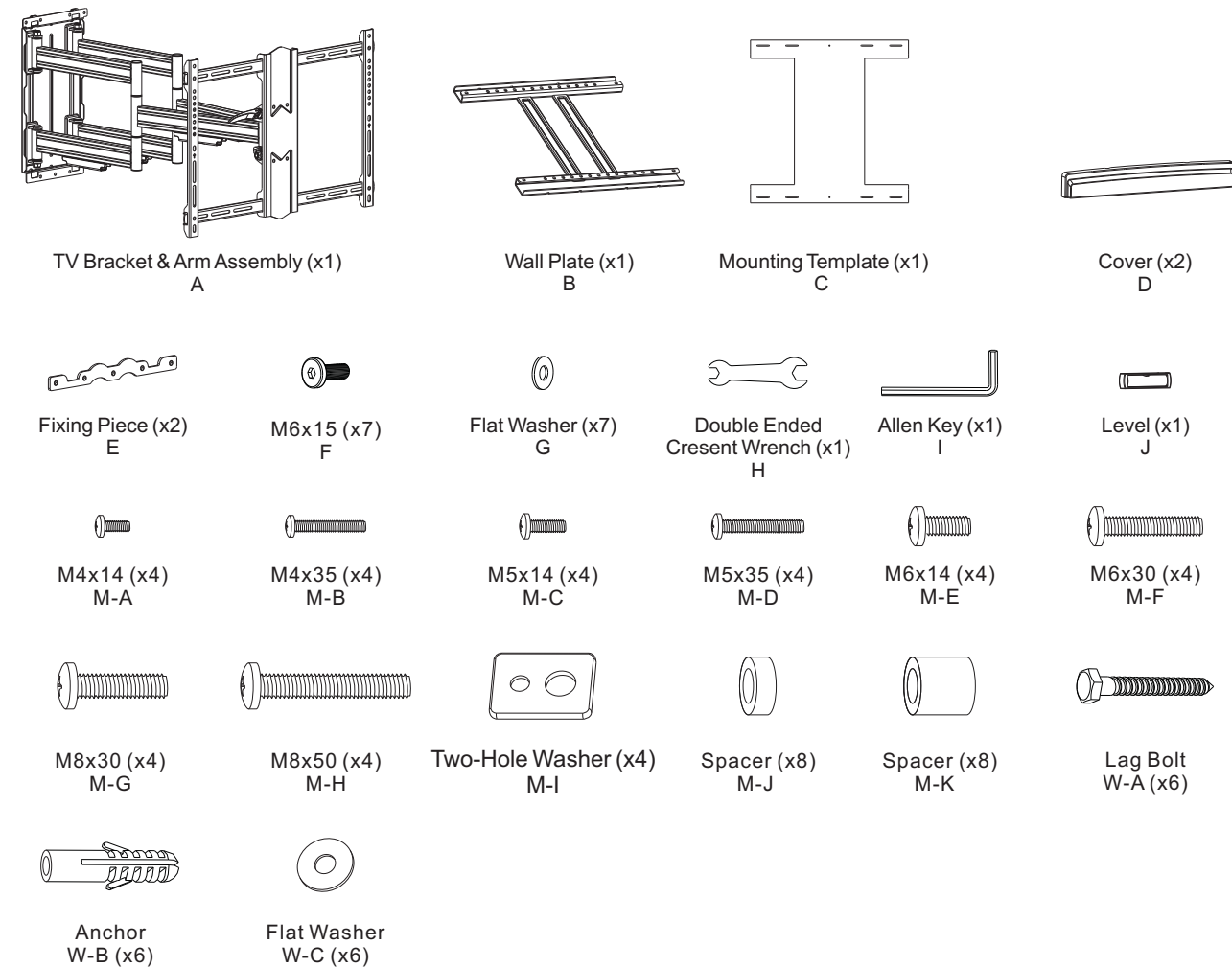


Φ 1/2 inch Drill Bit

Tips: Tools are not included in the package.

## PACKAGE LIST

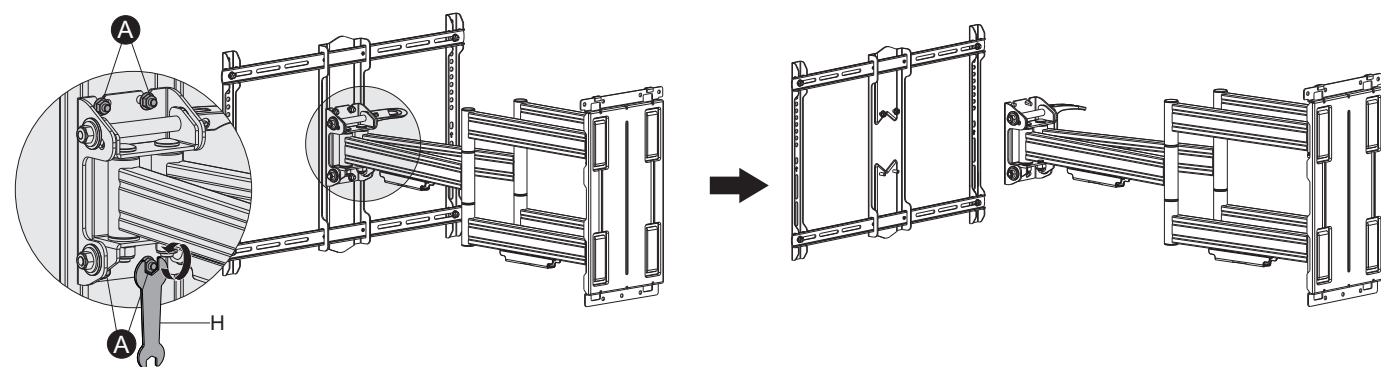
Ensure that you have received all parts according to the component checklist prior to installation. If any parts are missing or faulty, contact us for a replacement.



## INSTALLATION

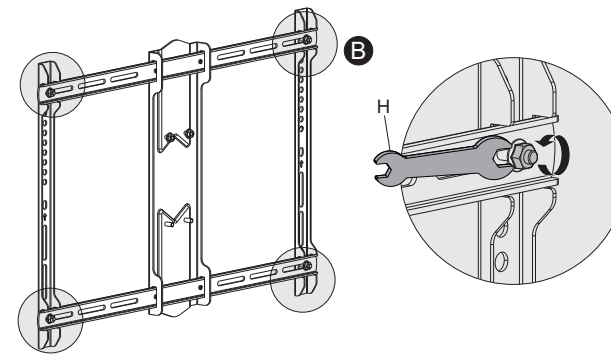
### 1. Remove TV Bracket from the Arm Assembly

Loosen and release the upper and lower hexagon nuts **A** found on the back of center column of TV bracket with double ended crescent wrench (H).

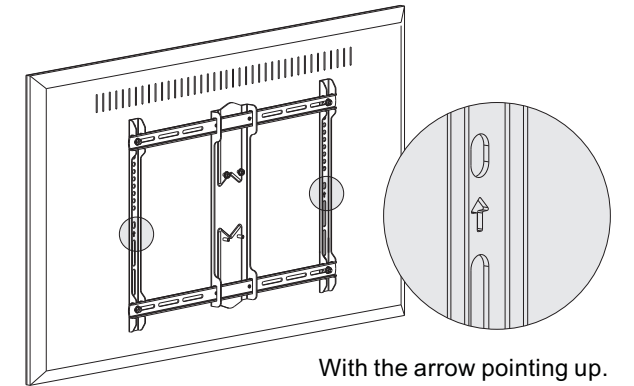


## 2. Attach the Bracket to TV

### 2.1 Place TV Bracket as Shown



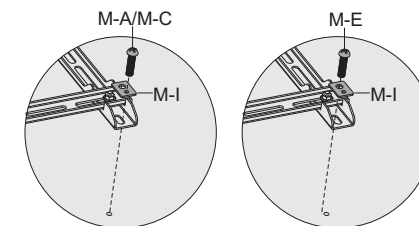
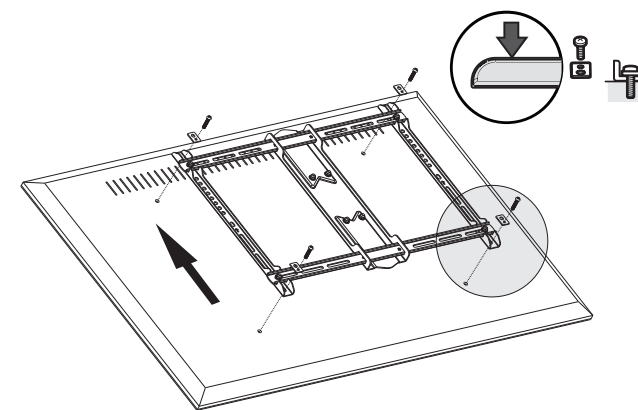
1. Loosen and release the upper and lower hexagon nuts **B** found on the back of TV arm brackets and adjust brackets to align the hole pattern of your TV. Once adjusted, tighten the all hexagon nuts **B**.



2. Position the TV brackets as close as possible to the center of the display.

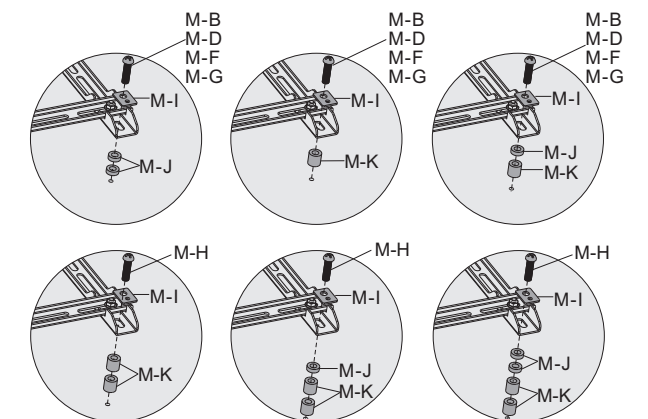
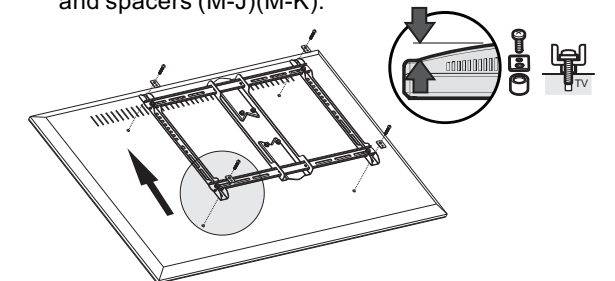
### 2.2a Attach TV Bracket to Flat Back Screen

Attach TV bracket using the shorter TV screws (M-A)/(M-C)/(M-E) and washers (M-I).

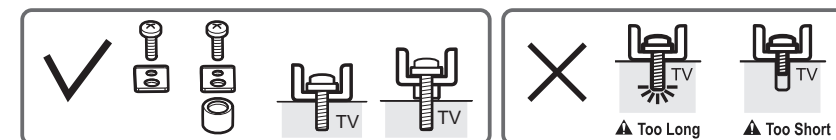


### 1.2b Attach TV Bracket to Irregular (Curved or Recessed) Back Screen

Attach TV bracket using the longer TV screws (M-B)/(M-D)/(M-F)/(M-G)/(M-H), washers (M-I) and spacers (M-J)(M-K).



**CAUTION** – Select appropriate TV screws



**Length:**  
A screw that is too long can damage the display.  
A screw that is too short will not hold the display.

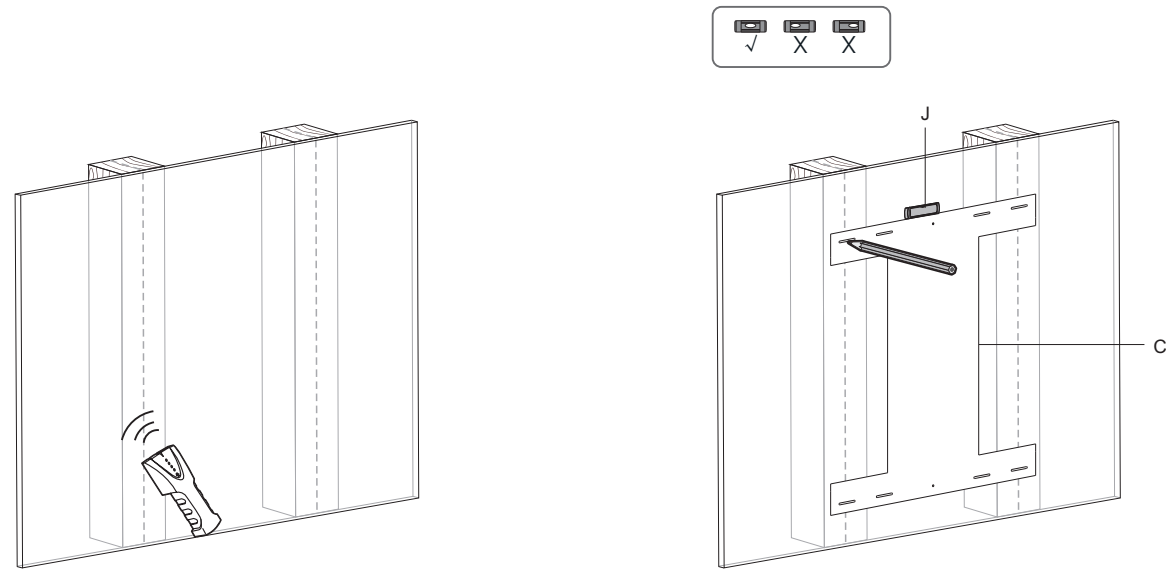


**Diameter:**  
Inserts the screws into the hole on the back of your TV to determine which diameter to use.



### 3a. Attach Wall Plate to Wood Stud

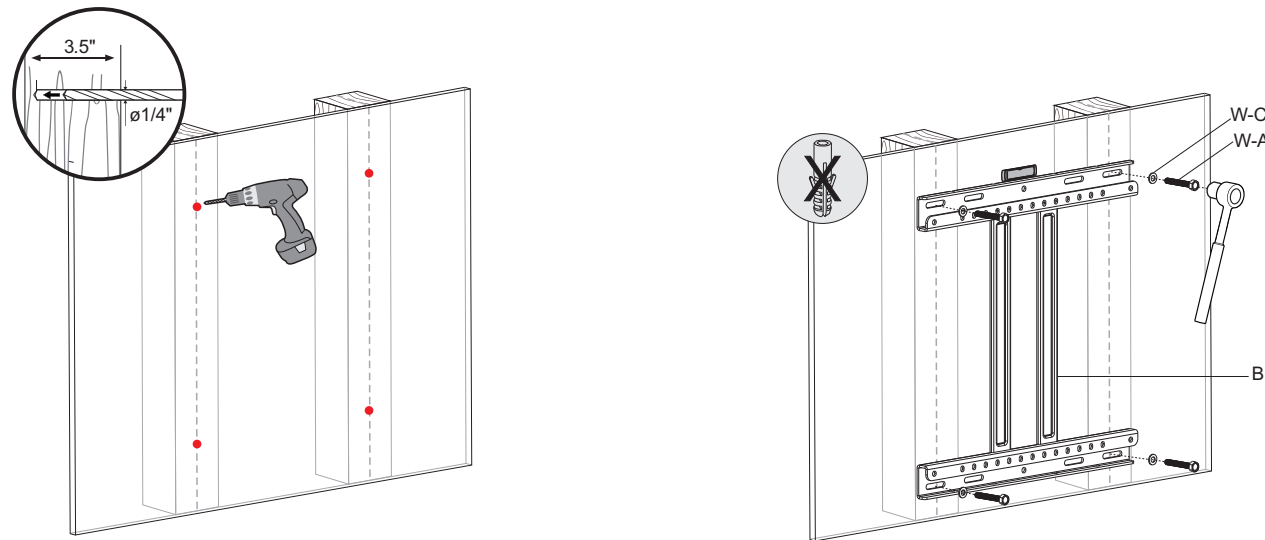
**Note:** Prior to installation, ensure the area behind the surface is free of electrical wiring, pipes, or other objects.



1. Verify the center of the studs using a stud finder.

2. Level the template(C) and mark the hole locations using pencil.

**CAUTION**  
Ensure alignment using a bubble level(J).



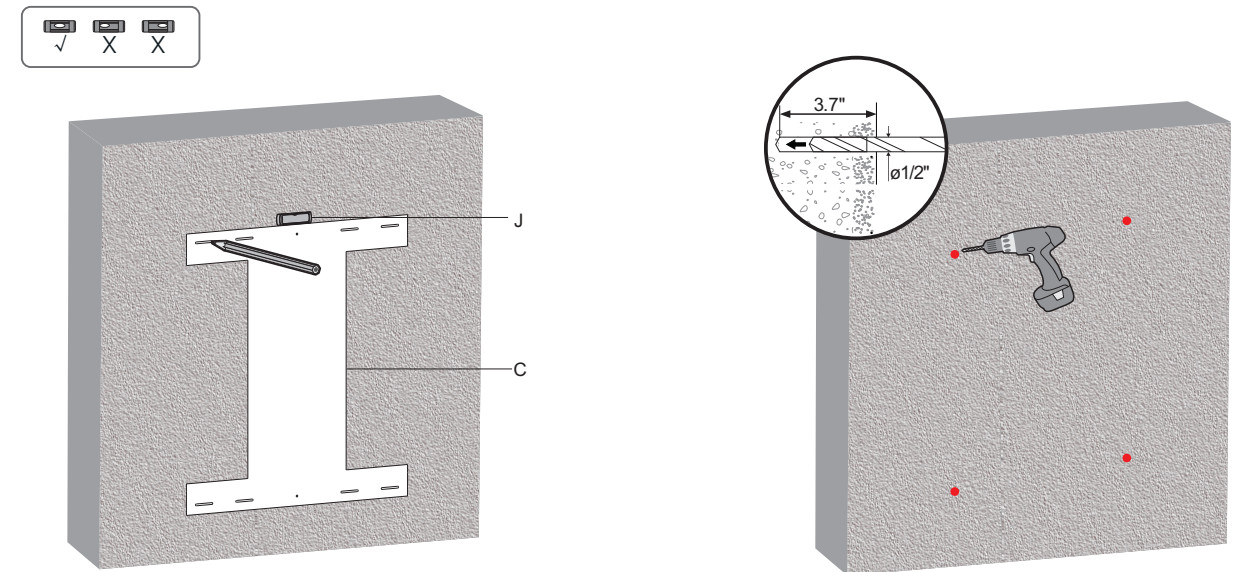
3. Drill pilot holes to the depth of 3.5 inch using a 1/4 inch diameter drill bit.

4. Attach the wall plate using 4 lag bolts (W-A) and washers (W-C) with Socket Wrench.

**CAUTION**  
Make sure to drill into the CENTER of the stud.

### 3b. Attach Wall Plate to Concrete Wall

**Note:** Prior to installation, ensure the area behind the surface is free of electrical wiring, pipes, or other objects.

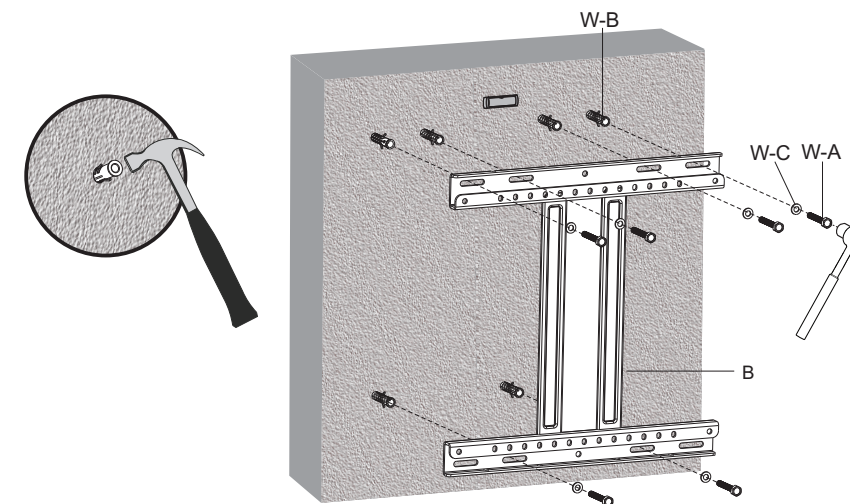


2. Level the template(C) and mark the hole locations using pencil.

2. Drill pilot holes to the depth of 3.7 inch using a 1/2 inch diameter drill bit.

**CAUTION**  
Ensure alignment using a bubble level(J).

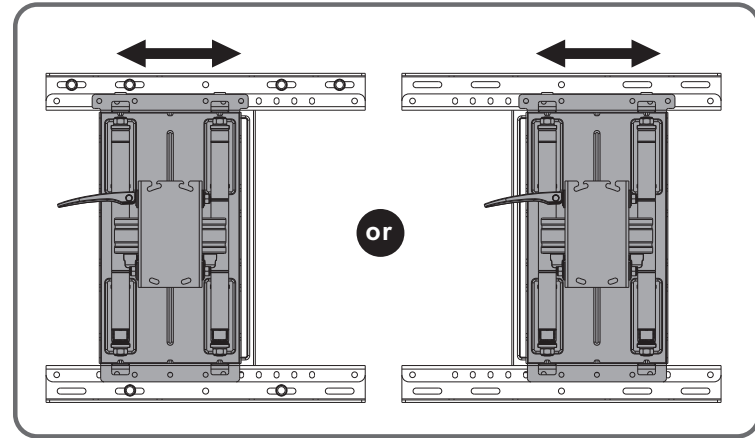
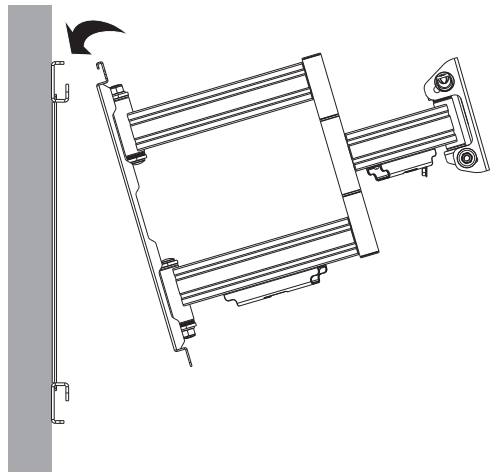
**CAUTION**  
Never drill into the mortar between blocks.



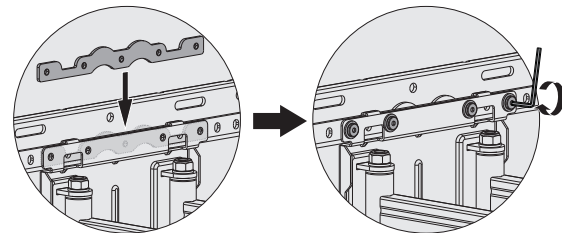
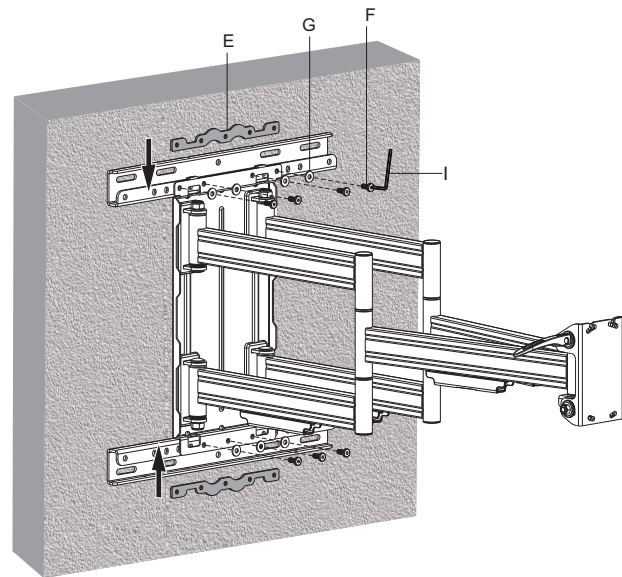
3. Insert anchors (W-B) with hammer then attach the wall plate using 6 lag bolts (W-A) and washers (W-C) with Socket Wrench.

**CAUTION**  
Be sure the anchors are flush with the surface.

#### 4. Attach Arm Assembly to Wall Plate

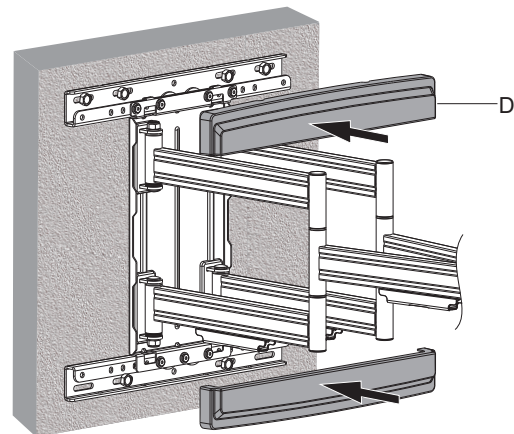


1. Hold the arm assembly with the top tilted toward the wall, and then slide the arm assembly over the upper lip of the wall plate (B) left or right to remain centered.



2. Insert two fixing pieces (E) into the upper and lower slots of the wall plate (B). Make sure the mounting holes on the arm assembly completely align with the screw holes on the fixing piece and wall plate.

Secure the arm assembly with 7 hex socket flat head screws (F) and washers (G) using Allen Key (I).

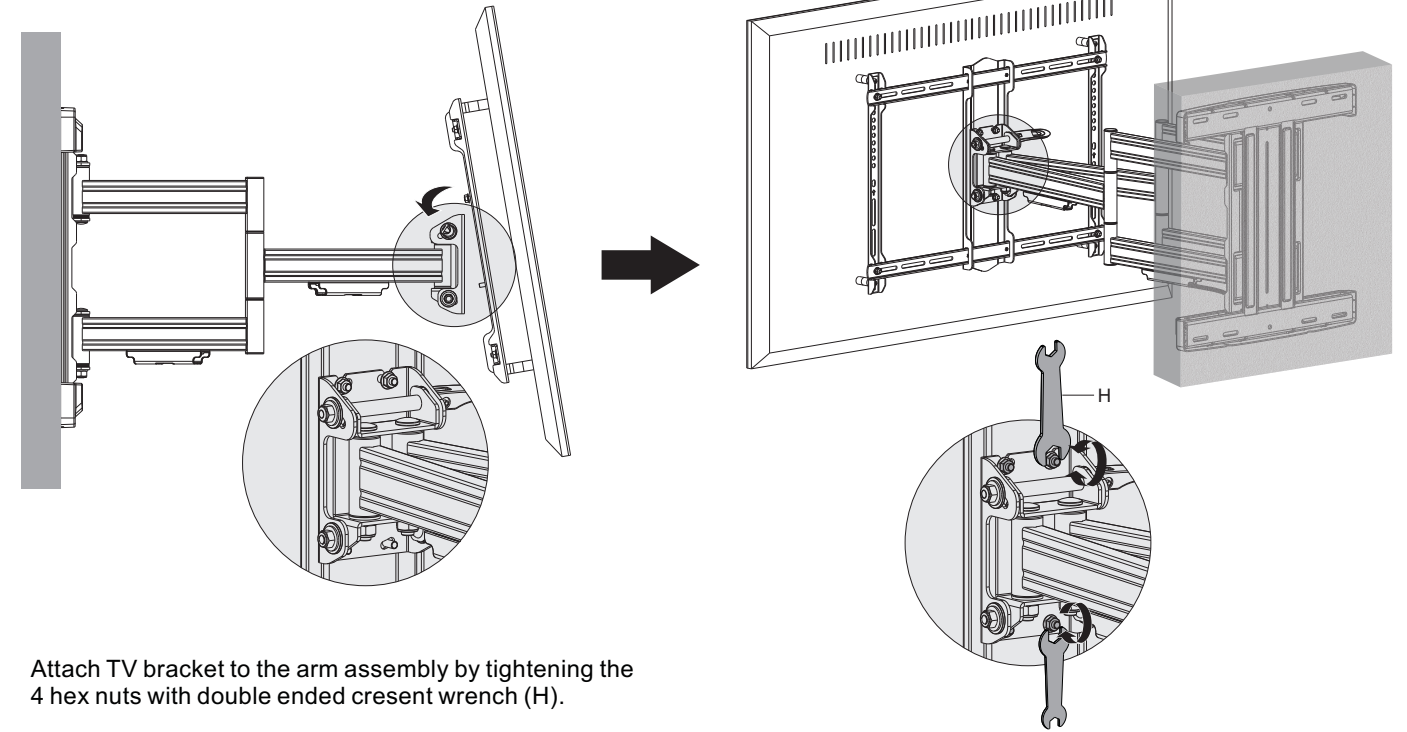


3. Attach the decorative covers (D) to the wall plate.

#### 5. Hang the TV

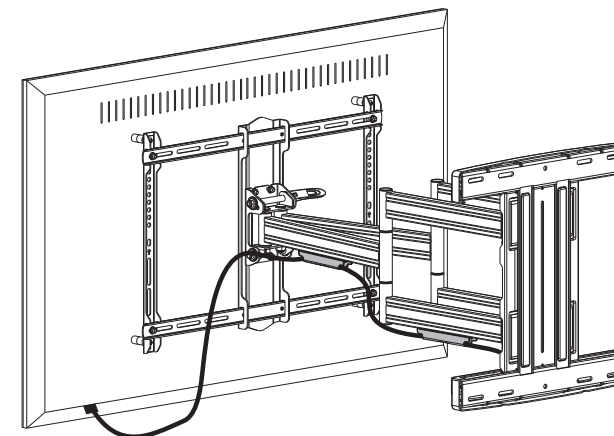


Heavy! You will need assistance with this step.



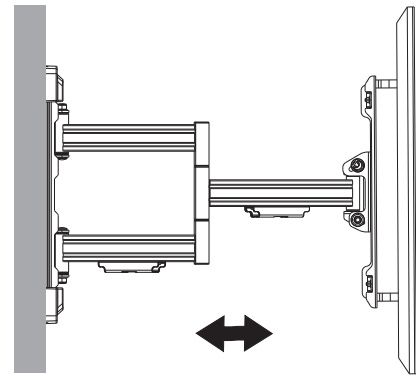
Attach TV bracket to the arm assembly by tightening the 4 hex nuts with double ended crescent wrench (H).

#### 6. Cable Management

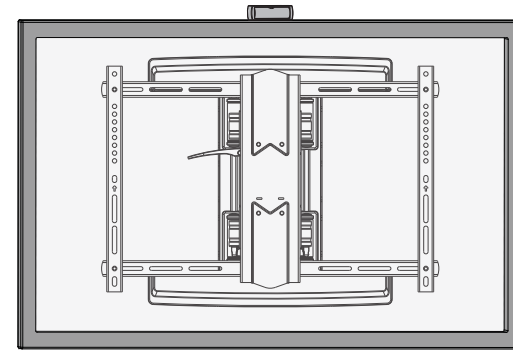


Pull each arm to its full extension then route the cables through the arms, leaving enough slack to prevent stretching the cables when the arms are moved.

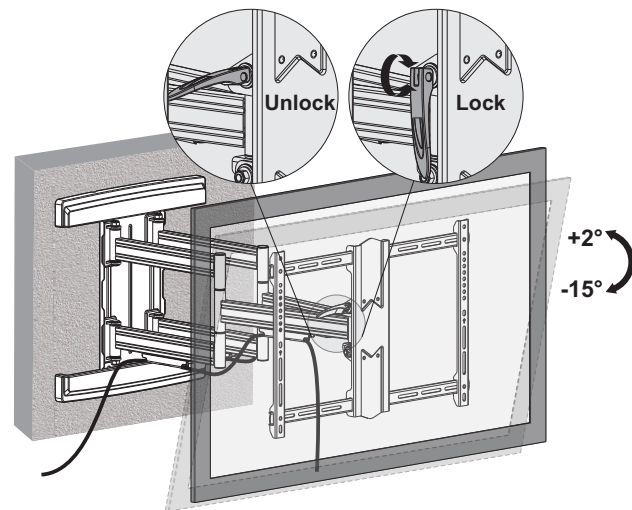
## 7. Adjustment



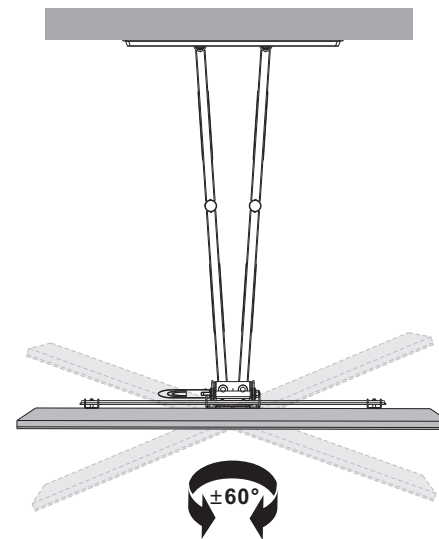
Extend & Retract



+3° -3°  
Level Adjustment



+2° -15°  
Tilt Adjustment

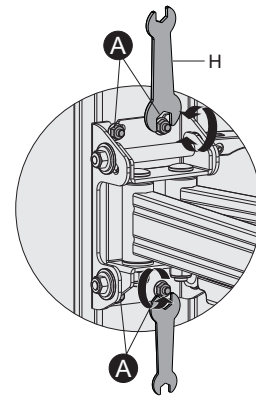
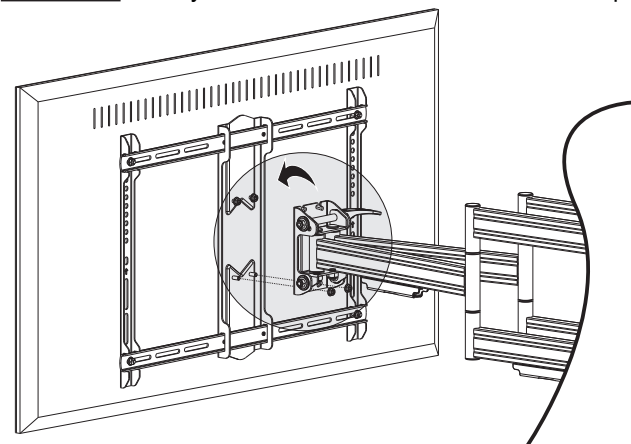


±60°  
Swivel Adjustment

## 8. Remove the TV



Heavy! You will need assistance with this step.



1. Disconnect cables and turn off the power.
2. Loosen and release the upper and lower hexagon nuts **A** found on the back of center column of TV bracket.
3. Carefully lift the TV from arm assembly.

**MAINTENANCE:** Check that the product is secure and safe to use at regular intervals (at least every three months).

## WARRANTY



### The Warranty Period:

Starburst Technologies warrants the products to be free of defects in material and workmanship for the warranty period of 5 years. The Warranty Period commences on the original purchase date of the product.

### To Get Warranty Service:

For warranty claims made during the above Warranty Periods, Starburst will replace (or credit the amount of) any defective product part free of charge. Should a part on your Starburst product fail, contact Starburst to make a warranty claim. We will discuss the problem with you and once we confirm the product is under warranty, we will ship replacement parts to you or issue credit based on the amount.

### The Warranty extends only to the original purchaser, and it does not apply to:

- The installation of other products to the mount / shelf not manufactured by Starburst.
- Product is modified in any way, improperly installed or taxed beyond its stated weight capacity or otherwise misused or abused.
- Normal wear and tear, friction damages, breakage of plastic and glass, spring wearing, coating defects, or the impact of using a product in an outdoor environment.
- Losses or damage due to fire, theft, vandalism, modifications, repairs, accidents, force majeure.
- The Warranty for wall and ceiling mounts is void if the mount is moved from its initial installation.
- This Warranty does not cover the costs of removing and replacing defective parts from your Starburst product. So, if your problem requires a repair technician, you must pay any labor charges.
- Should a replacement part or product be discontinued or unavailable, Starburst reserves the right to substitute a comparable replacement part or product for the defective part or product.

To the maximum extent permitted by applicable law, Starburst disclaims any other warranties, express or implied, including warranties of fitness for a particular purpose and warranties of merchantability. Starburst will not be liable for any damages whatsoever arising out of the use or inability to use its products, even if Starburst has been advised of the possibility of such damages. To the maximum extent permitted by applicable law, Starburst disclaims any responsibility for incidental or consequential damages including damage caused to electronic equipment or to the surroundings by the use of the product.